

# MAXCESS

MAGPOWR



TIDLAND

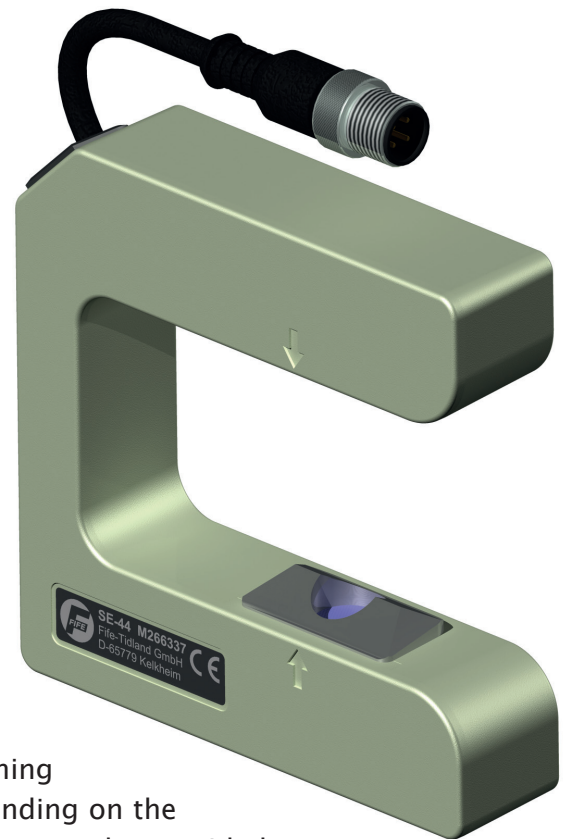
The sensor SE-44 uses ultrasonic sound to detect the web edge. Its light weight, small size, and insensitivity to ambient light make it ideal for most web guiding applications.

The SE-44 ultrasonic sensor measures the lateral position of the guided material. The sensor field of view (proportional band) is 10 mm, allowing significant guide point adjustment. The SE-44 is often used in pairs for center guiding when web width variations are limited. The SE-44 sensor can be used to control most opaque materials as well as transparent ones.

Fife offers a wide variety of sensor mountings and positioning assemblies for use with the SE-44 ultrasonic sensor. Depending on the application, standard or custom designed mounting brackets can be provided to ensure quick and easy installations.

The SE-44 can be used with any of our applicable guiding systems or as a retrofit/upgrade for existing systems.

The SE-44 can be connected to all available Fife web guide controllers.



## GENERAL SPECIFICATIONS

**Weight:**

130g

**Operating temperature:**

0°– 60°C

**Protection class:**

IP40

**Power supply:**

10 to 15V

**Output signal:**

0 to 10mA

**Linearity:**

10% maximum error (at 10% to 90% of signal)

**Plane change:**

5% maximum error (at 45° angle between web and sensor)

**Temperature drift:**

7% maximum error (at 10°C to 50°C)

**ESD protected:**

designed to IEC/EN 61000-4-2

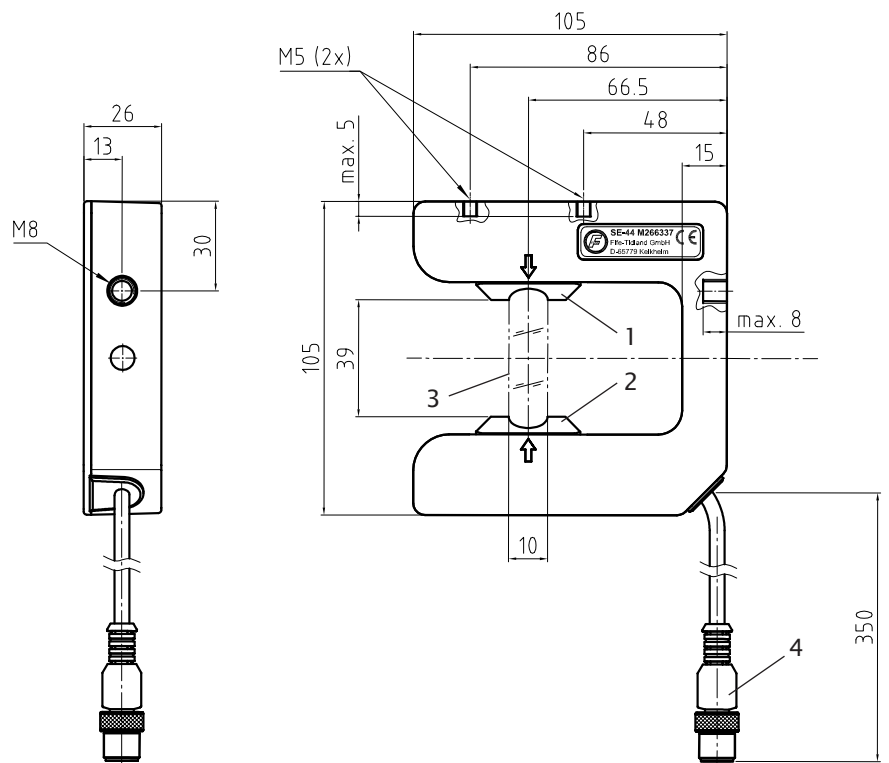
## KEY FEATURES

- 10 mm proportional band
- Insensitive to ambient light
- Insensitive to electrostatic discharge
- Will not affect photosensitive paper/film
- Will sense the thinnest and clearest film
- Temperature stabilized
- Low power consumption
- Small and lightweight

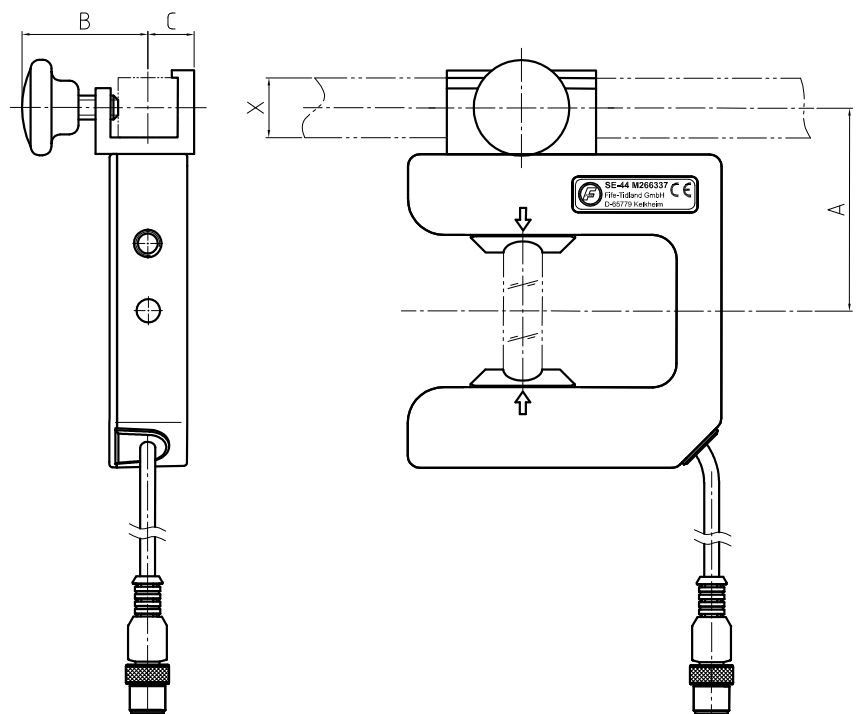
## ULTRASONIC SENSOR

### DIMENSIONS

- 1 Receiver
- 2 Source
- 3 Sensor field of view (proportional band)
- 4 Connection cable



### SENSOR MOUNTING



SENSOR MOUNTING	X SQUARE BAR	A	B	C
MB-20	□ 20	68	42,5	15,5
MB-25	□ 25	71	46,5	18,5
MB-32	□ 32	76	51,5	23,5

Dimension shown in mm.

# MAXCESS

MAGPOWR

FIFE

TIDLAND

#### EUROPE, MIDDLE EAST AND AFRICA

Tel +49.6195.7002.0  
Fax +49.6195.7002.933  
sales@maxcess.eu  
www.maxcess.eu

#### INDIA

Tel +91.22.27602633  
Fax +91.22.27602634  
india@maxcessintl.com  
www.maxcess.in

#### NORTH, CENTRAL AND SOUTH AMERICA

Tel +1.405.755.1600  
Fax +1.405.755.8425  
sales@maxcessintl.com  
www.maxcessintl.com

#### JAPAN

Tel +81.43.421.1622  
Fax +81.43.421.2895  
japan@maxcessintl.com  
www.maxcess.jp

#### CHINA

Tel +86.756.881.9398  
Fax +86.756.881.9393  
info@maxcessintl.com.cn  
www.maxcessintl.com.cn

#### KOREA, TAIWAN AND SE ASIA

Tel +65.9620.3883  
Fax +65.6235.4818  
asia@maxcessintl.com