

# MAXCESS®

MAGPOWER



TIDLAND

The Tidland Air Brake provides the design specifications and operating sensitivity required to fully integrate tension control components. These durable brakes feature a heat dissipating design for maximum reliability, with models capable of handling a maximum torque range of 1,430 inch-pounds to 23,700 inch-pounds.

These brakes provide precise tension control where webs are unwound from rolls of material, such as paper, textiles, films, and foils. They also deliver predictable performance for intermittent and emergency stop braking. Each brake can be built to meet your specific requirements. Disc diameter, caliper size, number of calipers and pad coefficients can all be configured to provide the ideal brake for your operation.

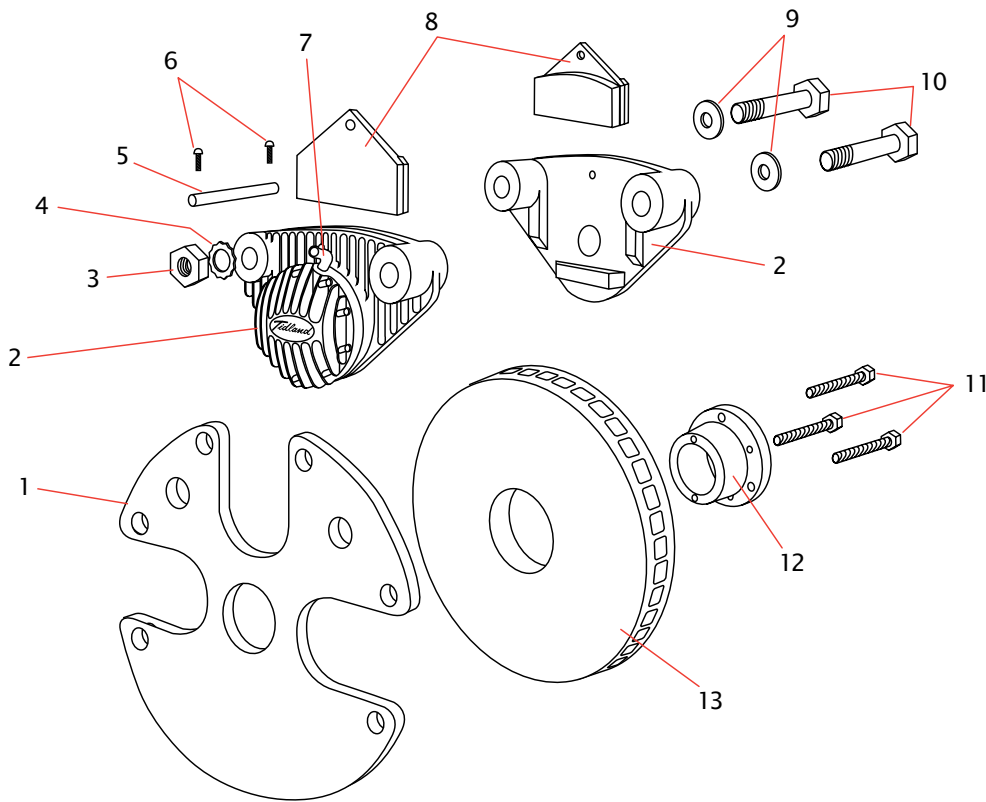


## GENERAL SPECIFICATIONS

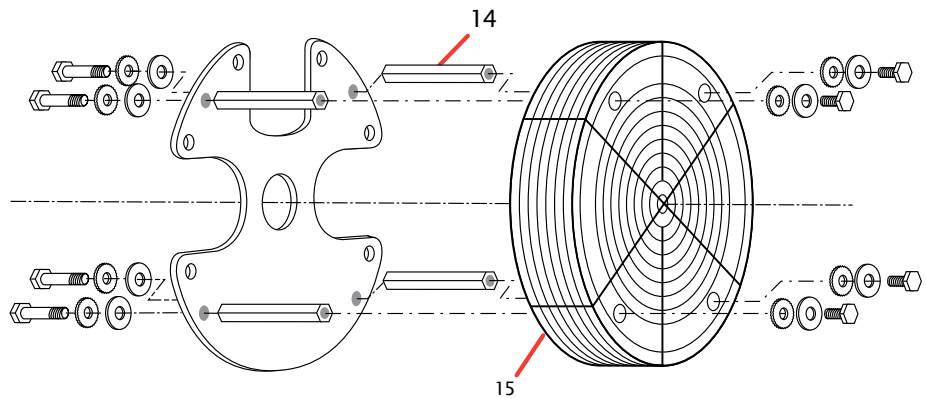
Model	Continuous HP per Rotor		Torque Value per Caliper		# Calipers per Rotor	Maximum Speed
	5.2 bar		75 psi			
	HP	kW	nM	in-lb		rpm
200	1	0.7	54	477	1 to 3	4,700
250	2	1.5	69	615	1 to 4	3,800
305	3	2.2	257	2,274	1 to 3	3,000
380	5	3.7	334	2,956	1 to 3	2,500
460	8	6.0	411	3,638	1 to 3	2,100
610	16	11.9	670	5,926	1 to 4	1,550

## KEY FEATURES

- Air-cooled, air-operated disc brakes for intermittent braking and continuous tension requirements
- Modular brake design accommodates a wide variety of applications
- Accurate, reliable tension control – from the most fragile tissue to the heaviest papers
- Minimal moving parts and durable materials provide long-lasting operation
- Easy retrofit and installation, designed for off-the-shelf configuration
- Opposing calipers are self-adjusting and require no special tools for servicing



1. Universal Mounting Plate
2. Caliper Half
3. Mounting Nut
4. Lock Washer
5. Retaining Rod
6. Hitch Pins
7. Elbow, Air Inlet
8. Brake Pads
9. Flat Washers
10. Mounting Bolts
11. Bushing Bolts
12. Q.D. Bushing
13. Disc
14. Hex Bar Standoff
15. Brake Guard



# MAXCESS®



## NORTH, CENTRAL AND SOUTH AMERICA

Tel +1.360.834.2345  
 Fax +1.360.834.5865  
 sales@maxcessintl.com  
 www.maxcessintl.com

## INDIA

Tel +91.22.27602633  
 Fax +91.22.27602634  
 india@maxcessintl.com  
 www.maxcess.in

## EUROPE, MIDDLE EAST AND AFRICA

Tel +49.6195.7002.0  
 Fax +49.6195.7002.933  
 sales@maxcess.eu  
 www.maxcess.eu

## JAPAN

Tel +81.43.421.1622  
 Fax +81.43.421.2895  
 japan@maxcessintl.com  
 www.maxcess.jp

## CHINA

Tel +86.756.881.9398  
 Fax +86.756.881.9393  
 info@maxcessintl.com.cn  
 www.maxcessintl.com.cn

## KOREA, TAIWAN AND SE ASIA

Tel +65.9620.3883  
 Fax +65.6235.4818  
 asia@maxcessintl.com