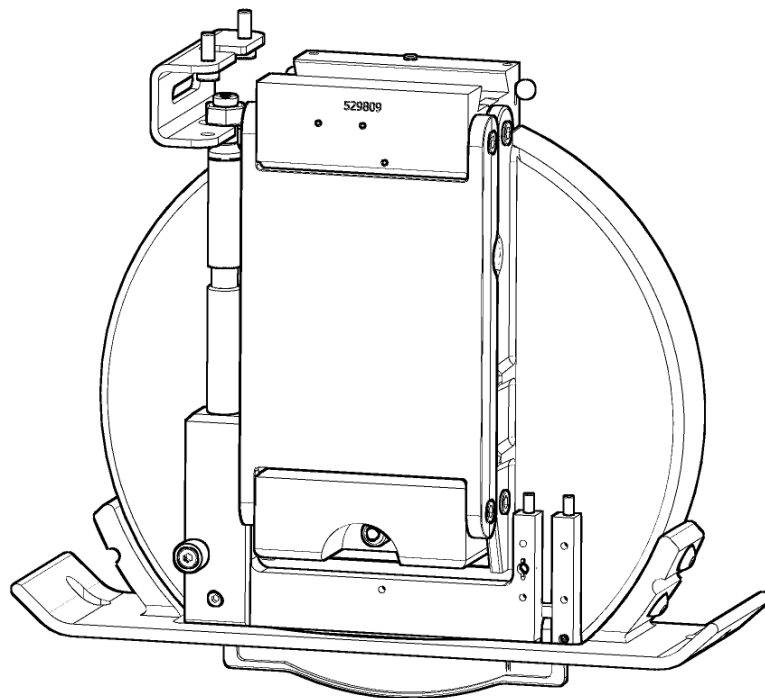




Tidland 360° Cartridge with Mechanical Actuator

User Manual

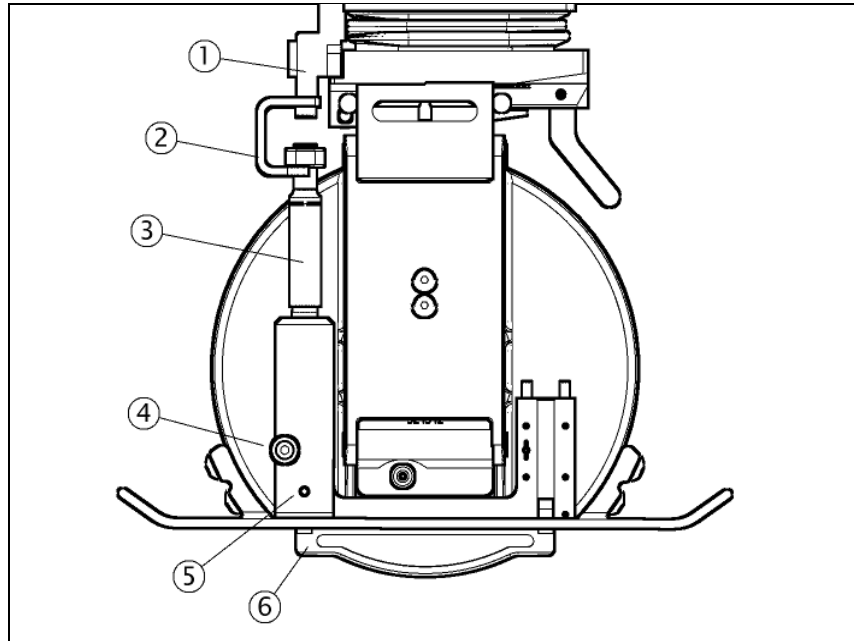


EN

MI 778345 1 C

Nomenclature

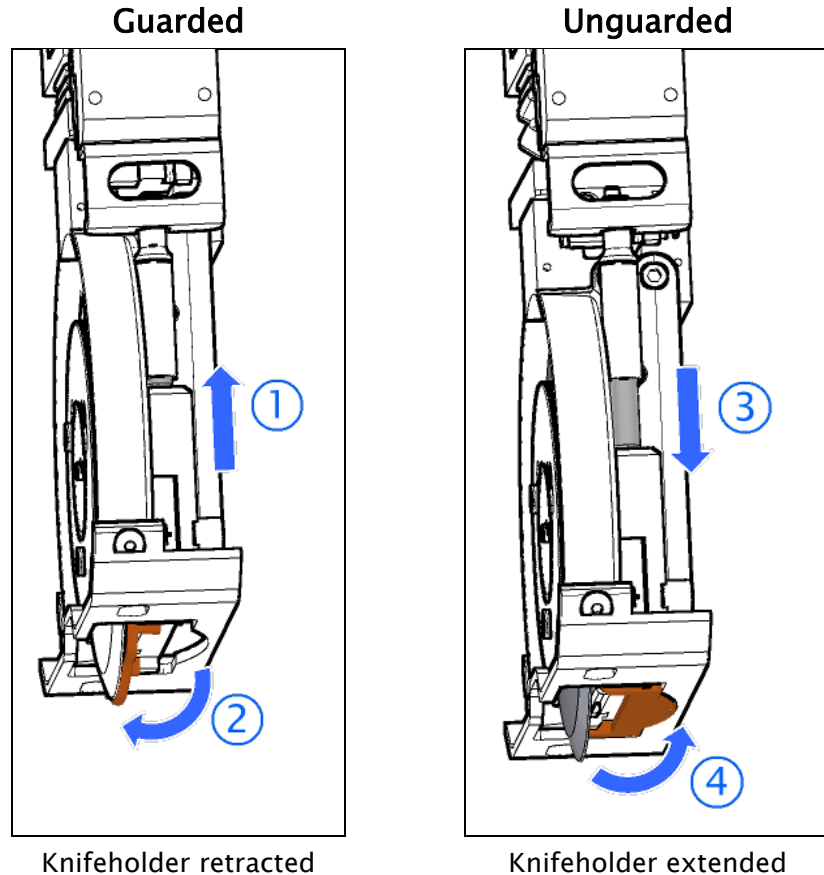
Performance Series
Automatic KH shown here.



| | |
|---|--------------------------------|
| 1 | Guide bar mount |
| 2 | Bracket (stationary) |
| 3 | Actuator assembly (reversible) |
| 4 | Actuator assembly release pin |
| 5 | Adjustment screw |
| 6 | Blade guard |

360° blade guard

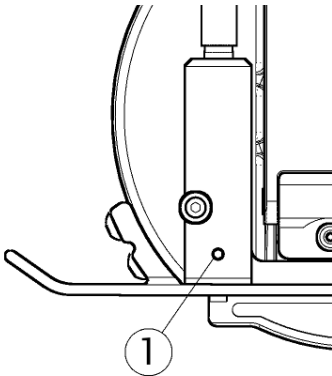
When the blade cartridge is retracted, the blade is guarded.
When the blade cartridge extends, the blade is unguarded.



Knifeholder retracted

Knifeholder extended

Adjusting the blade guard



To adjust the guard for a closer fit to the knife blade, turn the M5 adjustment set screw (1) clockwise until the guard touches the blade, and then back off one-quarter turn.

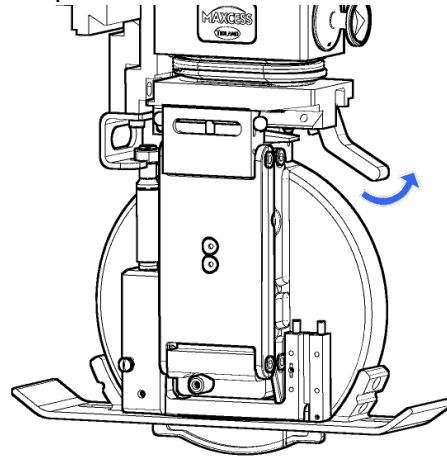
The knife blade should spin freely and smoothly on the blade hub and not rub on the guard.

Removing the blade cartridge



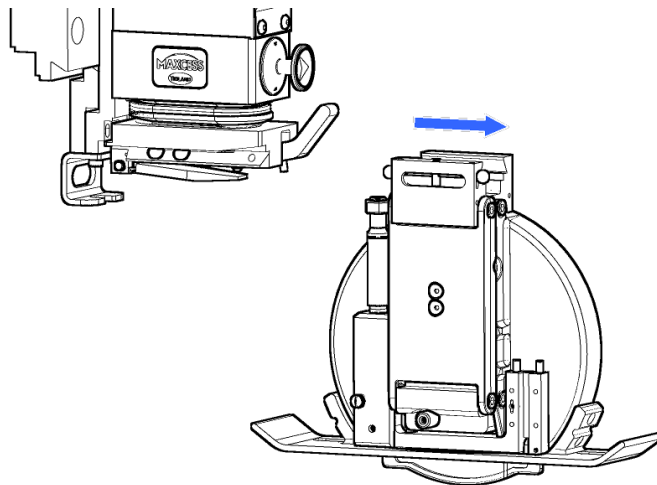
When the 360° Blade Guard cartridge is installed, the blade is guarded when the knifeholder is retracted.

1. Lift lock lever up.



2. Slide cartridge off of knifeholder body.

[Tidland e-Knifeholder dovetail is shown here: cartridge function is the same on all knifeholders.]



If you are changing the cut side (reversing the blade cartridge on the knifeholder), you must reverse the 360° Blade Guard actuator assembly if installed.

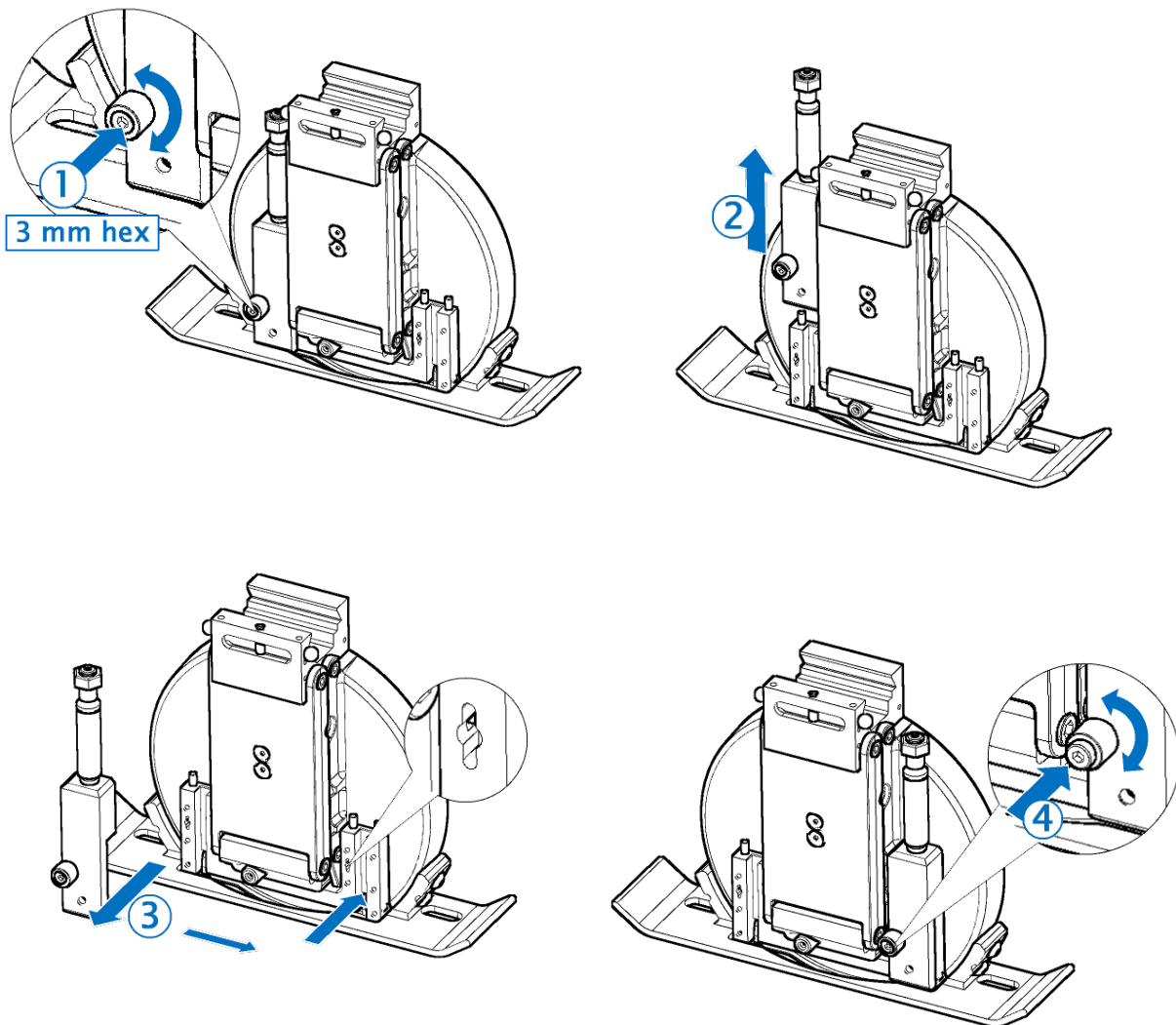
You must also reverse the cant key.

Reversing the blade guard actuator assembly



Remove the blade cartridge from the knifeholder before reversing the actuator assembly.

If you are using a Performance Series Manual Knifeholder, you must also reverse the hose assembly. See page 2-2.



Before reinstalling the blade cartridge on the knifeholder, remove dust and debris from the dovetail interface components.

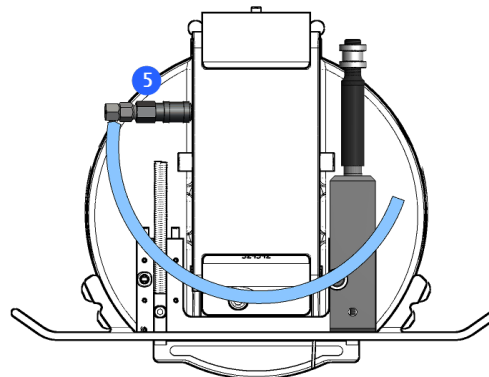
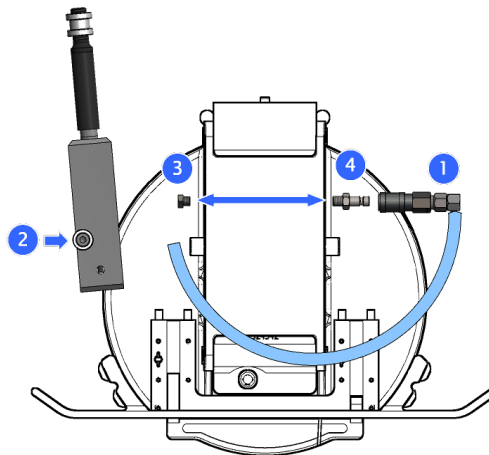
Hose assembly

Manual knifeholder only



If you reverse the actuator assembly on a Performance Series Manual Knifeholder, you will need to reverse the hose assembly.

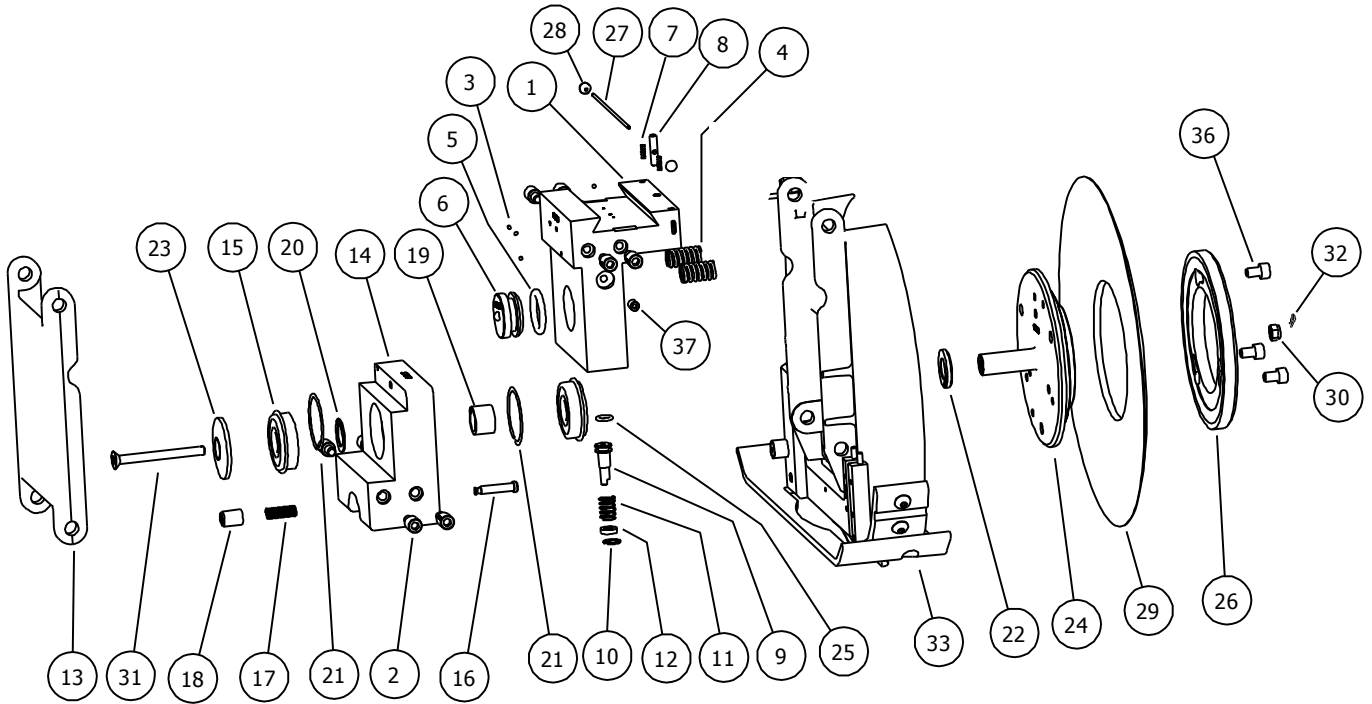
1. Disconnect the hose assembly at the cartridge (1).
2. Use 3 mm hex wrench to press in and turn the lock at (2), and lift the actuator assembly to remove.
3. Reverse the positions of the air plug (3) and air hose fitting (4) on the cartridge.
4. Install actuator assembly on the side opposite the hose fitting.
5. Reconnect the hose assembly at the cartridge (5). Make sure the other end of the hose is still connected to the knifeholder.



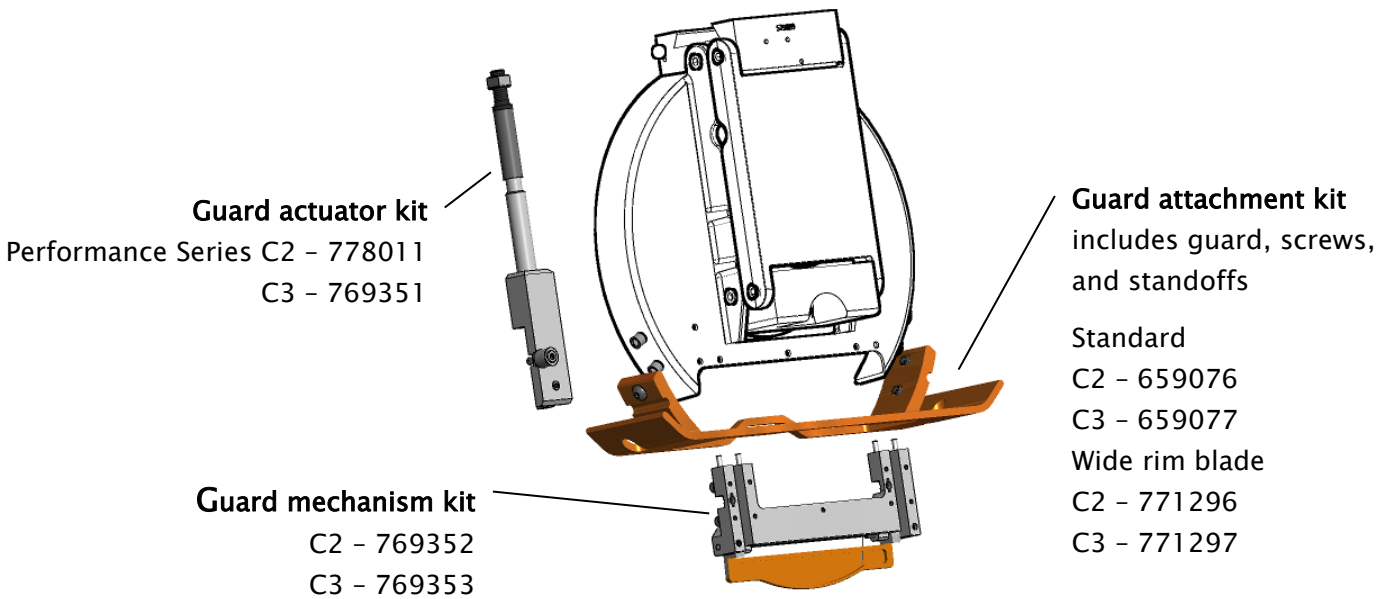
Blade cartridge with 360 degree blade guard

Class II — 766913

Class III — 766915



Item 33 is a sub-assembly that contains the following replaceable parts:



Blade cartridge with 360 degree blade guard

Parts list

| Item | Description | Class II | Qty | Class III | Qty |
|------|--|----------|-----|-----------|-----|
| 1 | Dovetail block | 523492 | 1 | 529809 | 1 |
| * 2 | Pivot stud | 535263 | 8 | 535263 | 8 |
| 3 | Steel ball 2 mm | 557259 | 9 | 557259 | 5 |
| 4 | Return spring | 131118 | 2 | 131118 | 2 |
| * 5 | O-ring, piston (Parker 2-210-C557-70) | 126479 | 1 | 126479 | 1 |
| 6 | Piston | 131108 | 1 | 131108 | 1 |
| 7 | Safety lock spring | 131119 | 2 | 131119 | 2 |
| 8 | Safety lock pin | 131114 | 1 | 131114 | 1 |
| 9 | Piston | 524541 | 1 | 524541 | 1 |
| 10 | Snap ring (Truarc N5000-37) | 132224 | 1 | 132244 | 1 |
| 11 | Compression spring | 524528 | 1 | 524528 | 1 |
| 12 | Bushing | 524525 | 1 | 524525 | 1 |
| 13 | Strut, outboard | 528098 | 1 | 529808 | 1 |
| 14 | Bearing housing | 524542 | 1 | 536837 | 1 |
| * 15 | Ball bearing | 131121 | 2 | 131121 | 2 |
| 16 | Blade lock pin | 130172 | 1 | 130172 | 1 |
| 17 | Blade lock spring | 130179 | 1 | 130179 | 1 |
| 18 | Blade lock cap | 130173 | 1 | 130173 | 1 |
| 19 | Bearing spacer | na | 1 | 133184 | 1 |
| 20 | Shim washer 3/4" OD x 1/2" ID x .025 thk | 134304 | 1 | 134304 | 1 |
| 21 | Snap ring (Smalley VH-125) | 134305 | 1 | 134305 | 2 |
| 22 | Shoulder ring | 631251 | 1 | 631251 | 1 |
| 23 | Bearing cap assembly | 515511 | 1 | 515511 | 1 |
| 24 | Blade hub | 524544 | 1 | 135009 | 1 |
| 25 | O-ring, set stop (Parker 2-010) | 126193 | 1 | 126193 | 1 |
| 26 | Blade clamp | 524543 | 1 | 135010 | 1 |
| 27 | Safety latch pin | 131115 | 1 | 132891 | 1 |
| 28 | Safety latch knob | 131116 | 2 | 131116 | 2 |
| * 29 | Knife blade | 128401 | 1 | 129833 | 1 |
| 30 | Lock nut M5 | 133235 | 1 | 133235 | 1 |
| 31 | Flat hd cap scr M5 x 60 mm lg (altered) | 524549 | 1 | 518520 | 1 |
| 32 | Hair pin | 133710 | 1 | 133710 | 1 |
| 33 | Blade guard actuator sub-assembly | 778141 | 1 | 749589 | 1 |
| 34 | Warning label | 130921 | 2 | 130921 | 2 |
| 35 | Cartridge arrow label | 547635 | 2 | 547635 | 2 |
| 36 | Soc hd cap scr M5 x 8 mm lg | 549838 | 3 | 549838 | 3 |
| 37 | Set scr M3 x 6 mm lg | 132615 | 1 | 528690 | 1 |

* Recommended spare parts

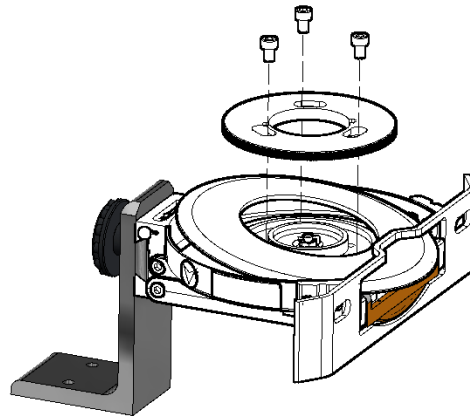
Removing the knife blade from the cartridge



Warning

Knife blades are sharp. Can cause serious injury to hands. Tidland recommends the use of stainless steel mesh gloves for extra protection.

1. Remove the blade guard actuator assembly. (See page 2-1.) The guard flap will swing out of the way.
Caution: The knife blade edge is now exposed.
2. Secure the cartridge to a workbench using a Tidland Bench Fixture kit.



3. Tilt the blade out of the cartridge.

See your Tidland Performance Series knifeholder manual for torque specifications during reassembly.

Visit www.maxcessintl.com for information about Tidland Slitting Accessories.



NORTH, CENTRAL
AND SOUTH AMERICA
Tel +1.360.834.2345
Fax +1.360.834.5865
sales@maxcessintl.com
www.maxcessintl.com

EUROPE, MIDDLE EAST
AND AFRICA
Tel +49.6195.7002.0
Fax +49.6195.7002.933
sales@maxcess.eu
www.maxcess.eu

CHINA
Tel +86.756.881.9398
Fax +86.756.881.9393
info@maxcessintl.com.cn
www.maxcessintl.com.cn

INDIA
Tel +91.22.27602633
Fax +91.22.27602634
india@maxcessintl.com
www.maxcess.in

JAPAN
Tel +81.43.421.1622
Fax +81.43.421.2895
japan@maxcessintl.com
www.maxcess.jp

KOREA, TAIWAN,
AND SE ASIA
Tel +65.9620.3883
Fax +65.6235.4818
asia@maxcessintl.com