



MAGPOWR



TIDLAND

Performance Series Knifeholder

Blade Guard Safety Attachment Retrofit Instructions

FOR USE WITH

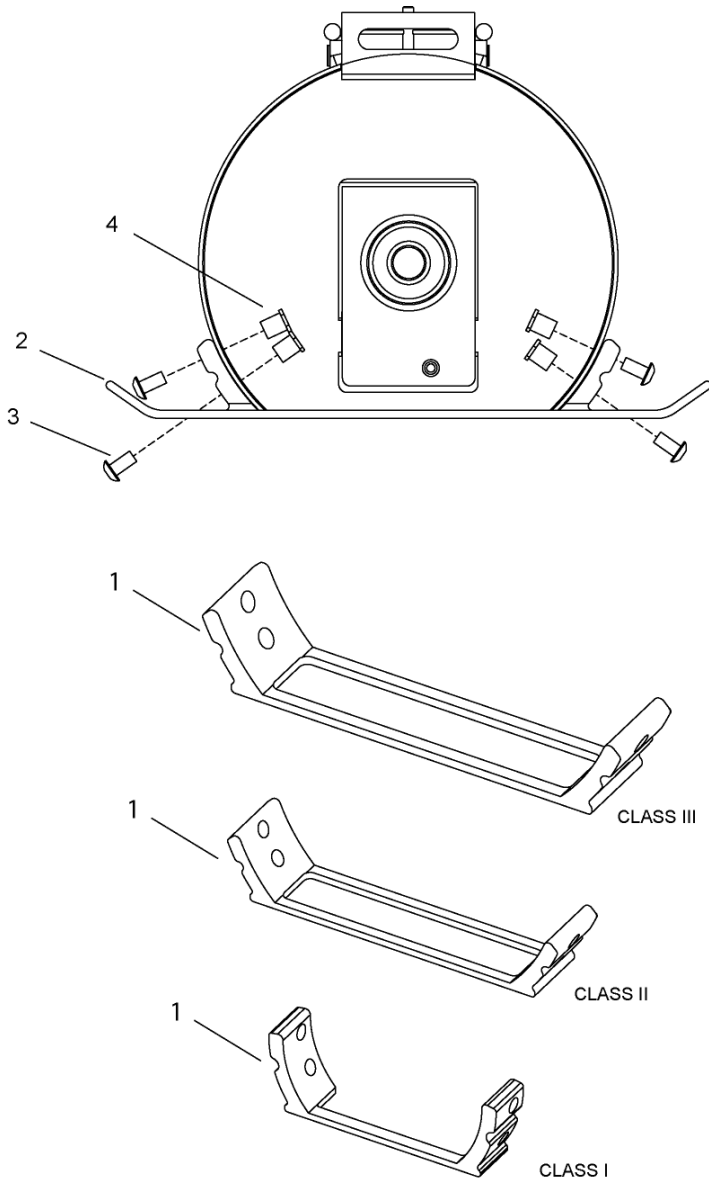
- Performance Series Shear Cartridge Class I, II and III
- Series 'C' Swing Cartridge Class II and III

RECOMMENDED TOOLS

- Tidland Drill Fixture
- Drill Bit: 9/32" Diameter
- Hex drive wrench: 3 mm
- Open end wrench: 5/16"
- *LOCTITE*[®] 242
P/N 673546
- Stainless Steel Protective Gloves
P/N 132084
- Tidland Bench Fixture
(for blade removal)
 - Class I – P/N 130796
 - Class II – P/N 130788
 - Class III – P/N 130822

CUSTOMER SERVICE

800.426.1000
360.834.2345
www.maxcessintl.com



ITEM	DESCRIPTION	QTY	CLASS I	CLASS II	CLASS III
1	DRILL FIXTURE	1	659082	659083	659084
	BLADE GUARD ATTACHMENT KIT Includes items 2, 3 and 4	1	659075	659076	659077
2	BLADE GUARD ATTACHMENT	1	—	—	—
3	BTN HD CAP SCREW	4	—	—	—
4	THREADED STANDOFF	4	—	—	—

IMPORTANT SAFETY INSTRUCTIONS

When using this Tidland product, basic safety precautions should always be followed to reduce the risk of personal injury. Your company's safety instructions and procedures should always be followed. When using this product with any other equipment or machinery, all safety requirements stipulated by that equipment or machinery manufacturer must be followed. Compliance with local, state, and federal safety requirements is your responsibility. No part of these or the following instructions should be construed as conflicting with or nullifying the instructions from other sources. Be familiar with the hazards and safety requirements in your work environment and always work safely.

1. Read and understand all instructions before operation.
2. Never use this product for a purpose or in a machine for which it was not specifically designed.
3. Wear safety glasses or proper eye/hand protection.

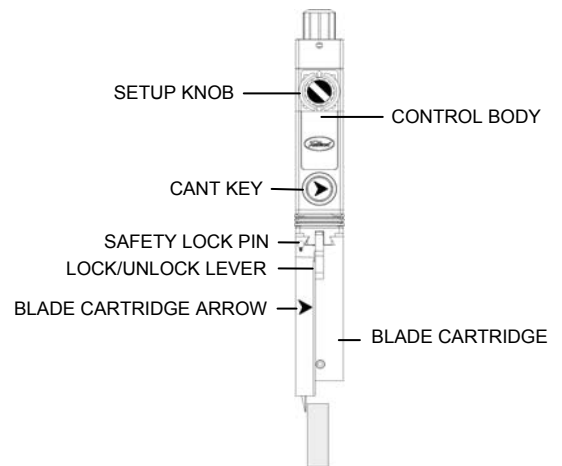


**Knife blades are sharp.
Can cause serious injury.
Wear stainless steel protective gloves when handling knife blades.**

REMOVE BLADE CARTRIDGE

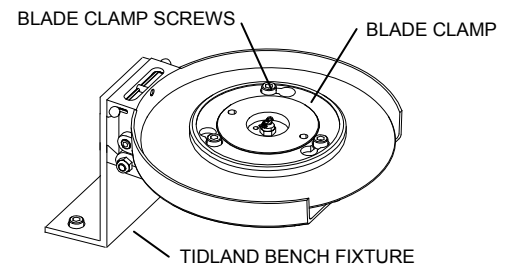
Remove Blade Cartridge From Knifeholder

1. Turn the setup knob to the RED (RETRACT) position.
2. Pull the lock/unlock lever up to unlock the blade cartridge.
3. Press and hold down the safety lock pin and slide the blade cartridge off the control body.



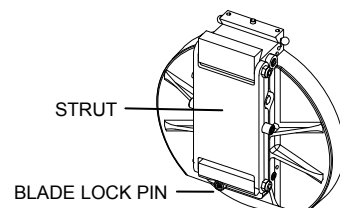
Remove Knife Blade From Cartridge

1. Press and hold the blade lock pin and rotate the blade hub until it stops.
2. Loosen the three blade clamp screws.
3. Rotate the blade clamp counterclockwise and slide it off the blade hub when the clearance holes are aligned with the blade clamp screw heads.
4. Remove the knife blade.



Note:

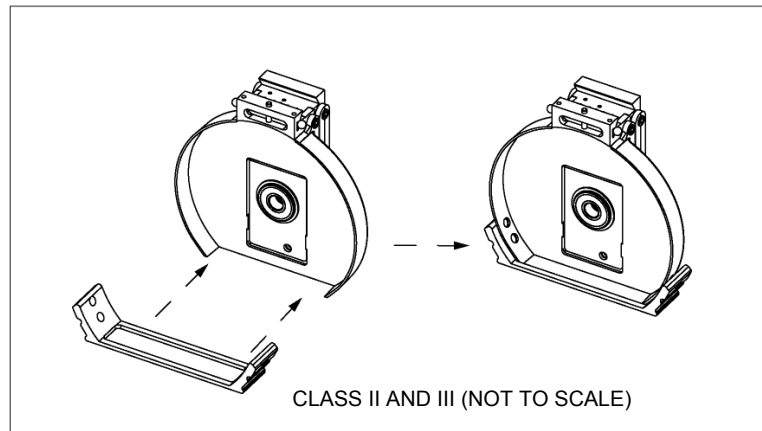
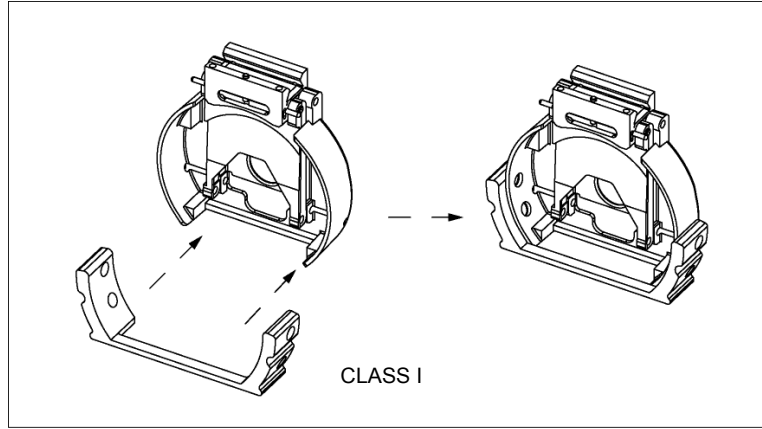
Mount the blade cartridge to a Tidland Bench Fixture for ease and safety of blade removal.



INSTALLATION

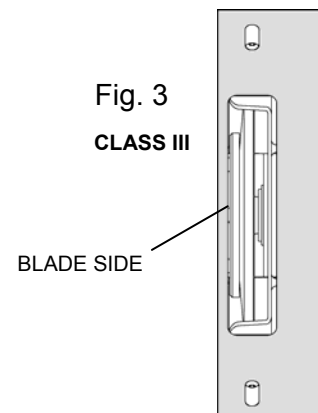
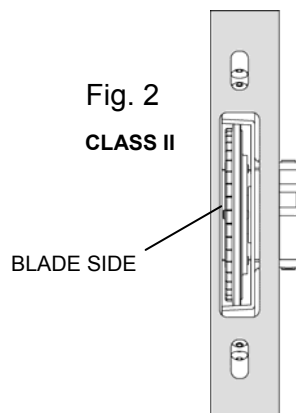
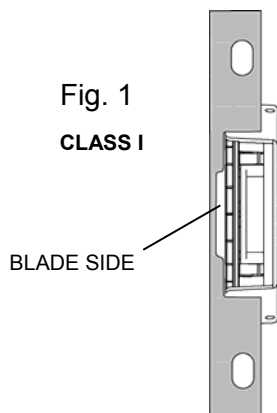
Using the Drill Fixture

1. Align drill fixture to blade guard.
2. Drill two 9/32" diameter holes on each side of blade guard.
3. Remove drill fixture.



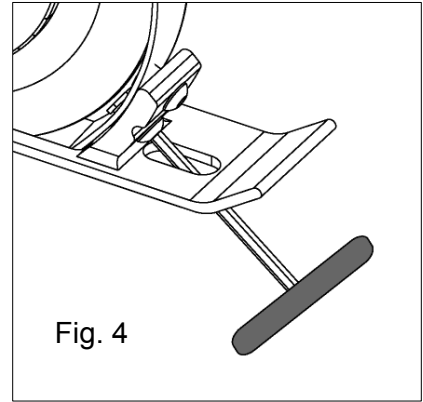
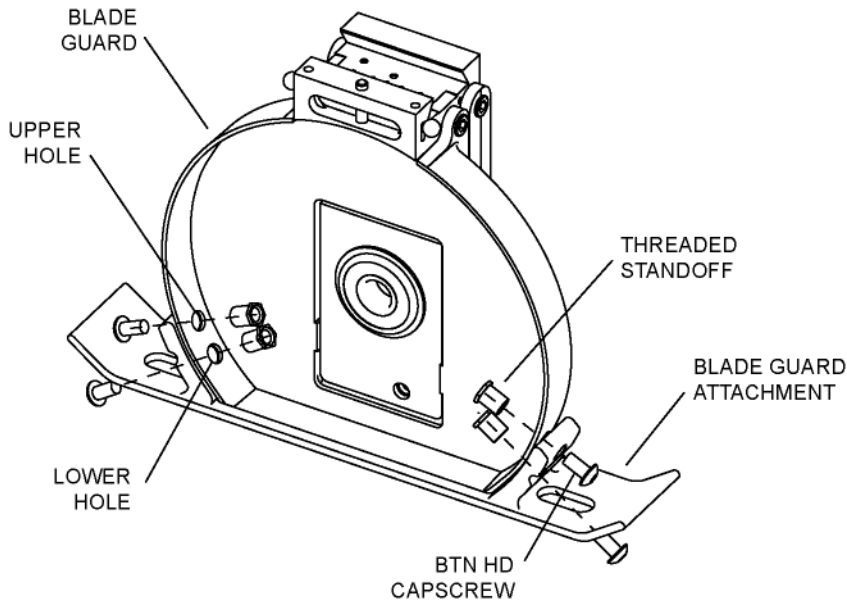
Align the Blade Guard Attachment

1. Place the Blade Guard Attachment on the cartridge.
Note orientation for each knifeholder class below in **Figs. 1-3 (Bottom view, not to scale).**



INSTALLATION

Install the Blade Guard Attachment



1. Align holes in Blade Guard Attachment with holes in blade guard.
2. Insert threaded standoff through upper holes.
3. Apply a small amount of *LOCTITE 242* to the threads of the button head capscrew. Insert into threaded standoff and tighten.
4. Insert threaded standoff through lower holes.
5. Insert button head capscrew into threaded standoff.
6. Tighten lower button head capscrews using the access holes located in the safety attachment. **Fig. 4**
7. Reinstall knife blade on blade hub.
Note: Tilt knife blade at a slight angle and slide it into the slot.
8. Reinstall blade cartridge on knifeholder.

Knifeholder is ready to use.

All rights reserved. No part of this publication may be reproduced, transmitted, transcribed, or translated into any language in any form by any means without the written permission of Tidland.



NORTH AMERICA

Toll Free 800.639.3433
Tel +1.405.755.1600
Fax +1.405.755.8425
sales@maxcessintl.com
www.maxcessintl.com

EUROPE

Tel +49.6195.7002.0
Fax +49.6195.7002.933
sales@maxcess.eu
www.maxcess.eu

CHINA

Tel +86.756.881.98398
Fax +86.756.881.9393
sales@maxcessintl.com.cn
www.maxcessintl.com.cn

KOREA, TAIWAN, AND SE ASIA

Tel +65.9620.3883
Fax +65.6235.4818
asia@maxcessintl.com

SOUTH AMERICA

Tel +55.11.3959.0990
Fax +55.11.3856.0990
southamerica@maxcessintl.com
www.maxcessintl.com.br

INDIA

Tel +91.22.27602633
Fax +91.22.27602634
india@maxcessintl.com
www.maxcess.in

JAPAN

Tel +81.43.421.1622
Fax +81.43.421.2895
japan@maxcessintl.com
www.maxcess.jp

© 2012 Maxcess