

REFLECTED LIGHT SENSOR



The DSE-15 reflected light sensor is ideal for most applications with opaque, transparent, or reflective materials.

Because of its compact size, the DSE-15 fits all web applications where space is limited.

It is possible to operate the DSE-15 with either a supply voltage of 12V or 24V. The output signal would automatically be switched over in that case.

In 12V supply mode the sensor provides an output signal from 0 to 10 mA and can be connected to all available Fife web guide processors.

In 24V supply mode the sensor supplies an output signal between 4 and 20 mA and can be used to establish a wire-break-proof connection to external devices.

An optional digital production data acquisition to Fife D-MAXE controller extends the range of applications for the DSE-15 inside the digital network environment. Additional sensor data can be provided to other hardware equipment if the Fife D-MAXE is linked appropriately to the network.

GENERAL SPECIFICATIONS

Field of view

10 mm

Light source

visible red light

Wavelength: 632 nm \pm 6 nm

Weight

100 g

Operating temperature

5° - 60°C

Protection class

IP65

Power supply

10 - 28V

Output signal

0 - 10 mA to \leq 400 Ω at 12V

4 - 20 mA to \leq 200 Ω at 24V
digital data exchange RS-485

Linearity

5% maximum error (in the proportional band of 6 mm)

Plane change

1% maximum error

Temperature drift

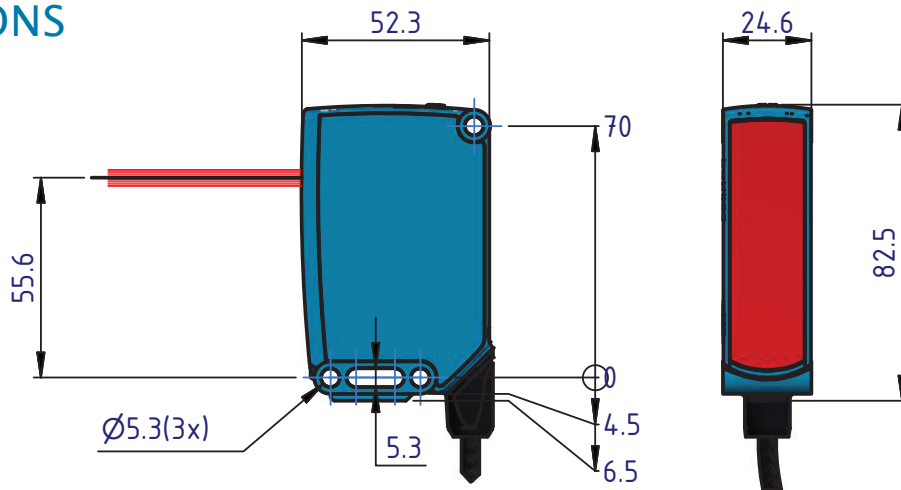
2% maximum error (at 10°C to 50°C)

KEY FEATURES

- Compact dimensions
- Especially suitable when guiding reflective strips, reflective foils, or transparent film
- Not affected by reflections from material webs
- Temperature stabilized
- Low power consumption
- Can be used for new guiding systems as well as for an upgrade of existing systems
- Fast, easy and robust mounting due to special mounting brackets and sensor positioners
- The material being guided can be positioned anywhere between the sensor and reflector.
- Can be used for most unwind or rewind applications due to its low sensitivity to plane change
- Can be connected to all available Fife web guide processors

REFLECTED LIGHT SENSOR

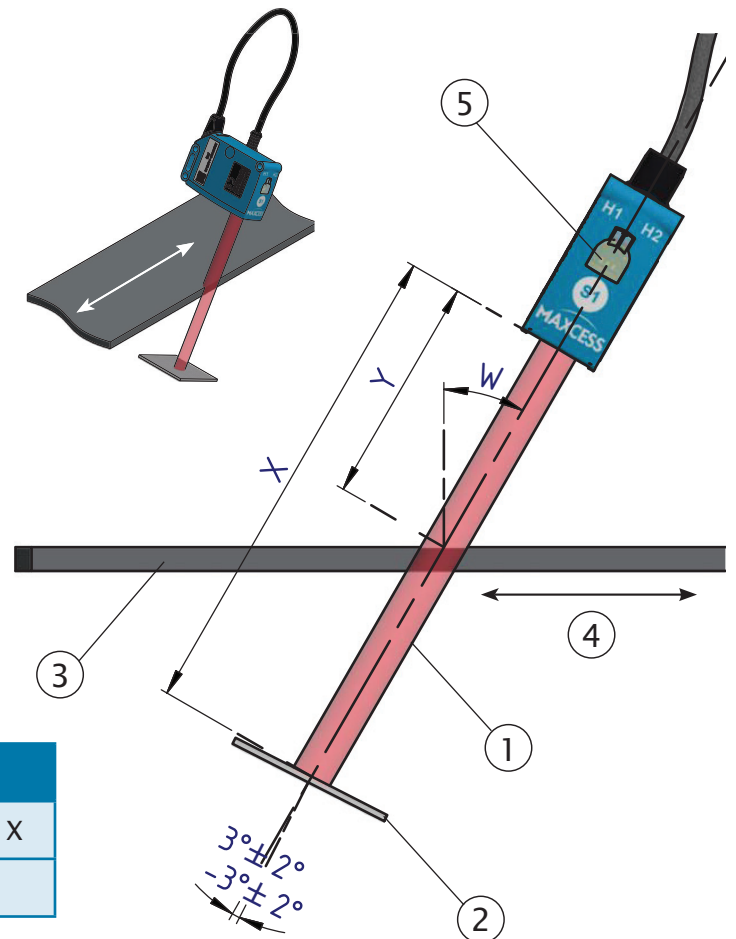
DIMENSIONS



Dimensions in mm.

OPERATING PRINCIPLE

- 1 Red light beam
 - 2 Reflector
 - 3 Material web
 - 4 Web direction
 - 5 LED display
- The display shows directly on the sensor information about the operating status like for instance the existence of the supply voltage, the cover of the red light beam or error messages.



Material	Angle W
reflective	5° - 45°
matte	0° - 45°

Material	X	Y
opaque	up to 1000 mm	10% - 90% of X
transparent	150 - 1000 mm	¾ X max.



EUROPE, MIDDLE EAST
AND AFRICA
Tel +49.6195.7002.0
sales@maxcess.eu
www.maxcess.eu

NORTH, CENTRAL
AND SOUTH AMERICA
Tel +1.405.755.1600
sales@maxcessintl.com
www.maxcessintl.com

CHINA
Tel +86.756.881.9398
info@maxcessintl.com.cn
www.maxcessintl.com.cn

JAPAN
Tel +81.43.421.1622
japan@maxcessintl.com
www.maxcess.jp

INDIA
Tel +91.22.27602633
india@maxcessintl.com
www.maxcess.in

