

Fife LRB Offset Pivot Guide

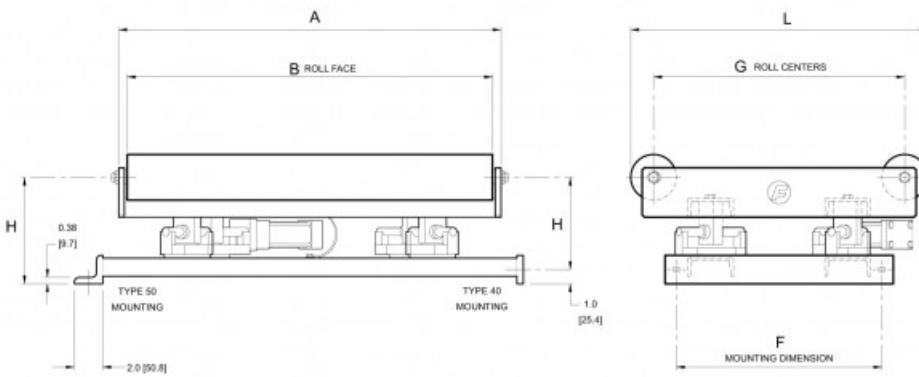
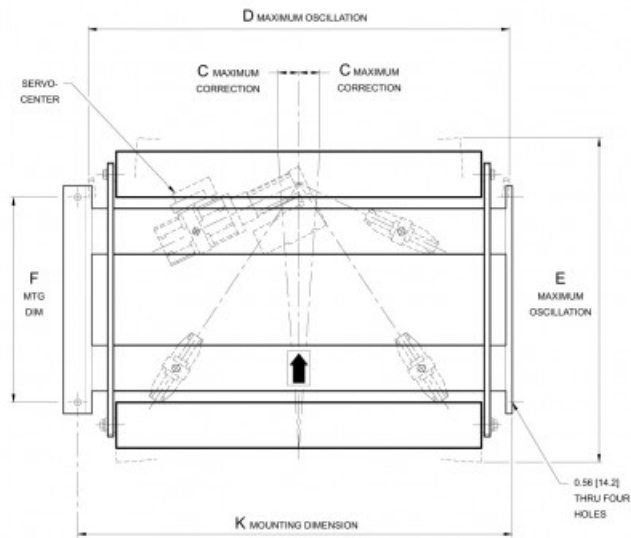


The LRB offset pivot guide is designed for reliable performance using either an electromechanical actuator or hydraulic cylinder as a power source. Constructed with low-friction ball bushings and precision race rod supports, this versatile guide delivers low-maintenance operation for edge, line, or center guiding applications.

This offset pivot guide can accommodate web widths up to 76.0" (1,930 mm) wide, and tensions up to 563 lbf (2,504 N). Standard guides are equipped with a mounting base for mounting either inside your framework (Type 40) or on top (Type 50) with mounting dimensions designed to match your requirements.

Key Features:

- Electromechanical or hydraulic system operation
- Low-friction ball bushings and race-rod supports
- Durable construction for low maintenance and long-lasting reliability
- Accommodates all threading styles
- Optional Servo-Center available to speed setup and threading
- All standard Fife sensors and processors can be used for edge, center or line guiding
- Many construction and roller options available, including hazardous or other environment protection
- Optional mounting brackets and stands are available
- Custom designs are available upon request



"L" Dimensions inches (mm)	20 (508)	22 (559)	24 (610)	26 (660)	28 (711)	30 (762)	32 (813)	34 (864)	36 (914)	38 (965)	40 (1016)	42 (1067)	44 (1118)	46 (1168)	48 (1219)
Maximum Correction	1.94 (49)	2.03 (52)	1.88 (48)	1.83 (46)	1.90 (48)	3.00 (76)	3.10 (79)	2.94 (75)	2.85 (72)	2.93 (75)	2.77 (70)	2.83 (72)	2.78 (71)	2.71 (69)	2.77 (70)
Maximum Actuator Stroke	3 (76)	3 (76)	3 (76)	3 (76)	3 (76)	5 (127)	5 (127)	5 (127)	5 (127)	5 (127)	5 (127)	5 (127)	5 (127)	5 (127)	5 (127)
Guide/Actuator Ratio	1.29 (33)	1.35 (34)	1.25 (32)	1.22 (31)	1.26 (32)	1.20 (30)	1.24 (31)	1.17 (30)	1.14 (29)	1.17 (30)	1.11 (28)	1.13 (29)	1.11 (28)	1.09 (28)	1.09 (28)

Figure 1 LRB Model Specifications

ACTUATOR TYPES AVAILABLE	<p>Electromechanical: Stroke: 1.0, 1.5, 2, 3 and 5 (25, 38, 51, 76 and 127 mm)</p> <p>Hydraulic Cylinder: Stroke: 25 mm to 127 mm (1 inch to 5 inches) Bore: 51 mm (2 inches) standard* 38 mm and 64 mm (1.5 inch and 2.5 inch) bores available only with approval of Fife Engineering</p>
GUIDE/ACTUATOR RATIO	<p>Ratio is the multiplier applied to actuator speed and stroke to find resulting guide correction magnitude. Actuator Speed x Guide/Actuator Ratio = Guide Correction Speed 1/2 (Actuator Stroke x Ratio) = ± Correction Speed</p>
MAXIMUM CORRECTION SPEED	<p>Electromechanical: 51 mm/sec (2 inches/sec) at actuator Hydraulic Cylinder: Guide Correction Speed should not exceed 51 mm/sec (2 inches/sec) at actuator</p>
MAXIMUM OPERATING TEMPERATURE	<p>Electromechanical = 52° C (125° F) Hydraulic Cylinder = 85° C (185° F)</p>

*The P25 Power Unit provides sufficient thrust for all load conditions

Figure 2 LRB Model Dimensions

STANDARD ORB-LPG DIMENSIONS									
A	B + 38 mm (1.5 inches)								
B	Roller Face Length								
C	Maximum Correction (+/-)								
D	A + 2C								
E	L + A(2)								
G*	L-Roller Diameter								
H**	Roller Diameter	Type 40 Mounting		Type 50 Mounting					
FOR WRAP STYLES 1, 6, 9, 13	102 mm (4.0 inches) or less	Approx. 170 mm (6.69 inches)		Approx. 192 mm (7.56 inches)					
	152 mm (6.0 inches) with "L" < 762 mm (30 inches)	Approx. 249 mm (9.81 inches)		Approx. 272 mm (10.69 inches)					
	152 mm (6.0 inches) with "L" ≥ 762 mm (30 inches)	Approx. 195 mm (7.69 inches)		Approx. 217 mm (8.56 inches)					
ALL OTHER WRAP STYLES	76.2 mm (3.0 inches)	Approx. 240 mm (9.44 inches)		Approx. 262 mm (10.31 inches)					
	102 mm (4.0 inches)	Approx. 252 mm (9.94 inches)		Approx. 275 mm (10.81 inches)					
	152 mm (6.0 inches)	Approx. 278 mm (10.94 inches)		Approx. 300 mm (11.81 inches)					
DIMENSIONS DEPENDANT UPON "L" DIMENSION									
"L" RANGE	508 - 609 (20-23.999)	610-660 (24-25.999)	661-761 (26-29.999)	762-838 (30-32.999)	839-914 (33-35.999)	915-1015 (36-39.999)	1016-1092 (40-42.999)	1093-1167 (43-45.999)	1168-1219 (46-48)
F	178 (7.0)	279 (11.0)	305 (12.0)	330 (13.0)	406 (16.0)	495 (19.5)	597 (23.5)	673 (26.5)	749 (29.5)
K MIN TYPE 40 MOUNTING	603 (12.75) ** 1029 (40.5)	648 (25.5)	692 (27.25)	851 (33.5)	940 (37.0)	965 (38.0)	1080 (42.5)	1105 (43.5)	1181 (46.5)
	641 (25.25) ** 1067 (42.0)	686 (27.0)	730 (28.75)	889 (35.0)	978 (38.5)	1003 (39.5)	1118 (44.0)	1143 (45.0)	1219 (48.0)
L	Determined by correction required and space available (refer to top section of this page)								

North, Central And South America

MAGPOWR: +1.800.624.7697
 Fife: +1.800.639.3433
 Tidland: +1.800.426.1000
[Contact](#)

Europe, Middle East And Africa

Tel +49.6195.7002.0
 Fax +49.6195.7002.933
[Contact](#)
 Korea, Taiwan and SE Asia
 Tel +65.9620.3883
 Fax +65.6235.4818
[Contact](#)

India

Tel +91.22.27602633
 Fax +91.22.27602634
[Contact](#)

China

Tel +86.756.881.9398
 Fax +86.756.881.9393
[Contact](#)

Japan

Tel +81.43.421.1622
 Fax +81.43.421.2895
[Contact](#)

Source URL: <http://fife.maxcessintl.com/guiding/fife-lrb-offset-pivot-guide>