

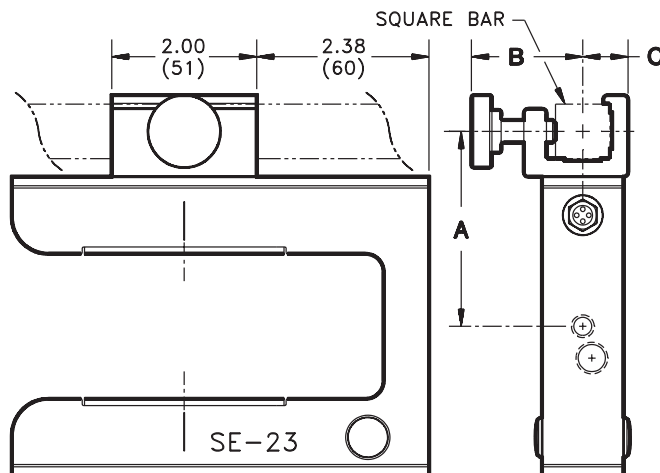
**WEIGHTS:**

SE-23 sensor – 19 oz (534 gr)  
 With M-17 Mounting Assembly – 22 oz (618 gr)  
 With M-18 Mounting Assembly – 23 oz (646 gr)

Given for 1" square bar mounting.  
 With M-1935 Mounting Assembly – 4.58 lbs (2.08 kg)  
 With M-7925 Mounting Assembly – 4.48 lbs (2.03 kg)

**SPECIFICATIONS:**

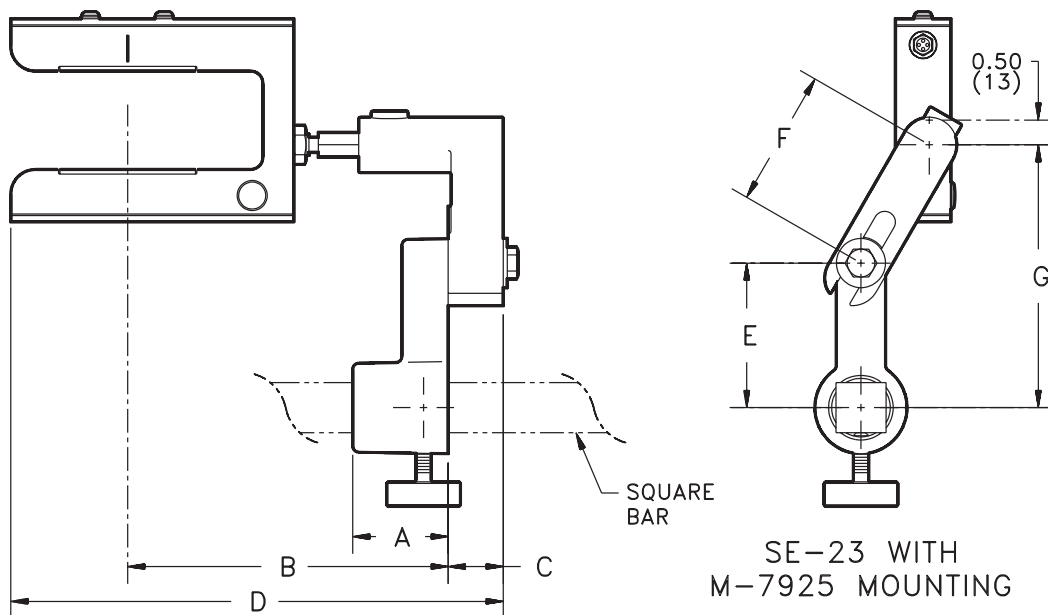
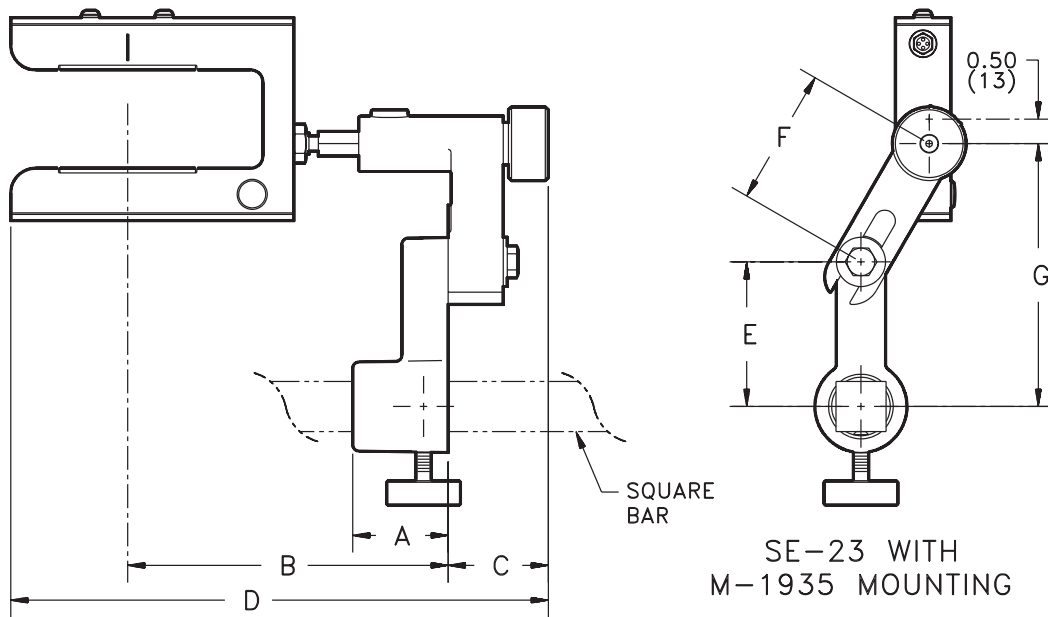
Supply Voltage 10 to 15 VDC  
 Signal 0 to 10 mA  
 Temperature Range 41° to 140° F (5° to 60° C)  
 Current Consumption 50 mA



SE-23 WITH M-17 OR M-18 MOUNTING

SENSOR MOUNTING	SQUARE BAR		A	B	C
	SIZE	MAXIMUM LENGTH			
M-17	0.75	60.00	2.68	1.50	0.63
	(19)	(1524)	(67)	(38)	(16)
M-18	1.00	86.00	2.81	2.00	0.75
	(25)	(2184)	(70)	(51)	(19)

(All dimensions in parentheses are millimeters)



SENSOR MOUNTING	SQUARE BAR		A	B ADJUSTABLE	C	D ADJUSTABLE	E	F ADJUSTABLE	G ADJUSTABLE
	SIZE	MAXIMUM LENGTH							
M-1935	1.00 (25)	86.00 (2184)	2.00 (51)	5.88-7.00 (149-178)	2.00 (51)	10.25-11.38 (260-289)	2.94 (75)	1.80-3.30 (46-84)	1.00-5.50 (25-140)
	1.25 (32)	96.00 (2438)	2.50 (64)				4.50 (114)		1.00-7.00 (25-178)
M-7925	1.00 (25)	86.00 (2184)	2.00 (51)	5.63-7.13 (143-181)	1.12 (28)	9.13-10.63 (232-270)	2.94 (75)	1.80-3.30 (46-84)	1.00-5.50 (25-140)
	1.25 (32)	96.00 (2438)	2.50 (64)				4.50 (114)		1.00-7.00 (25-178)

(All dimensions in parantheses are millimeters)