

Fife First*Edge SE-38 Digital Sensor

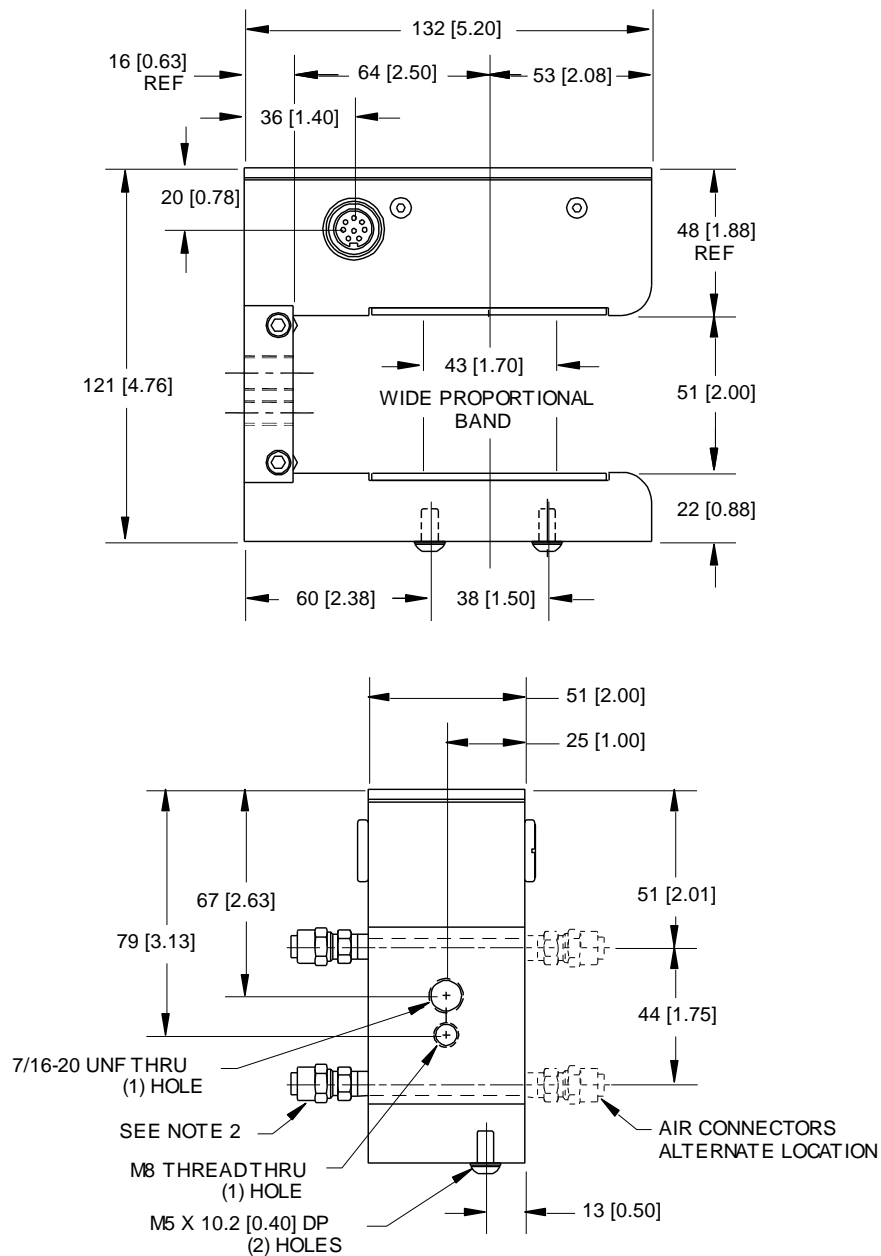


Figure 1.

SE-38 Sensor without sensor mounting

Notes:

1. All dimensions and specifications are in mm [inches] unless otherwise specified.
2. Two 1/16 NPT male PolyFlo connectors are provided. To enable air sweep, connect with 1/4" O.D. PolyFlo tubing.
3. Plugs are included to close off unused ports.

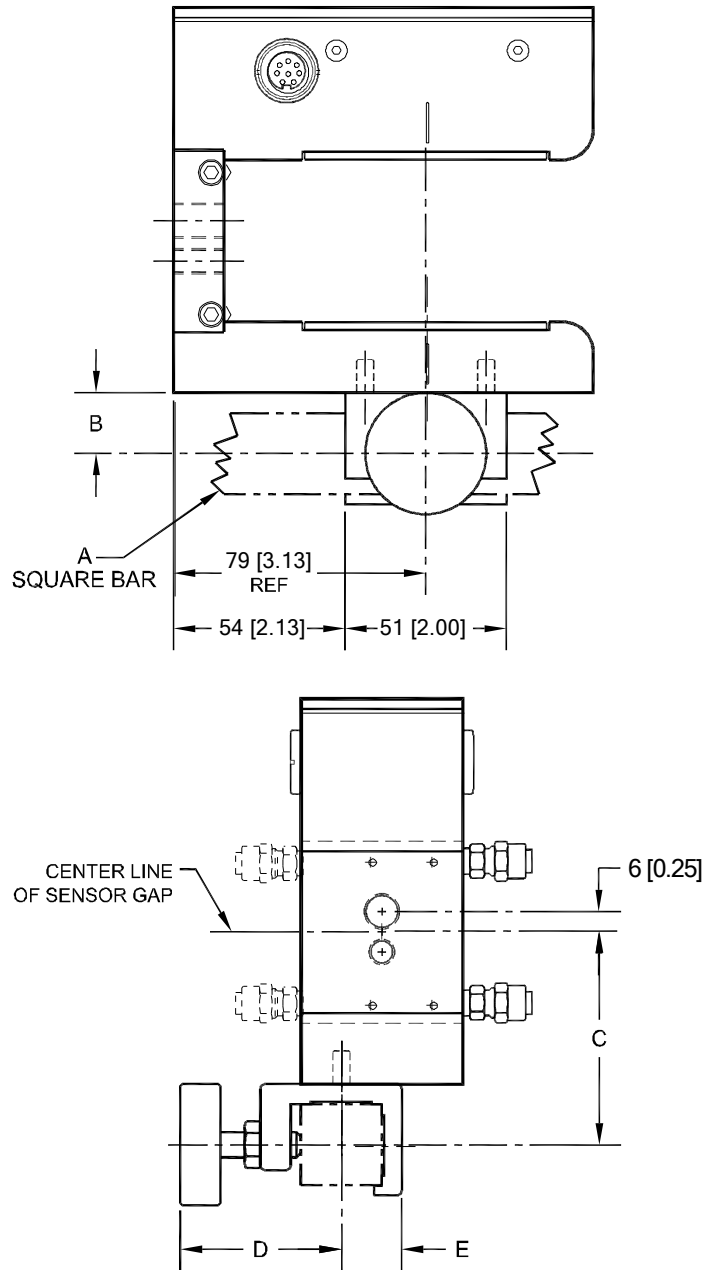


Figure 2.

SE-38 Sensor with optional M-17 or M-18 sensor mounting

SENSOR MOUNTING	SQUARE BAR		B	C	D	E
	A SIZE	MAXIMUM LENGTH				
M-17	19 [0.75]	1524 [60.00]	16 [0.63]	64 [2.50]	38 [1.50]	16 [0.63]
M-18	25 [1.00]	1829 [72.00]	19 [0.75]	67 [2.63]	51 [2.00]	19 [0.75]

Table 1.

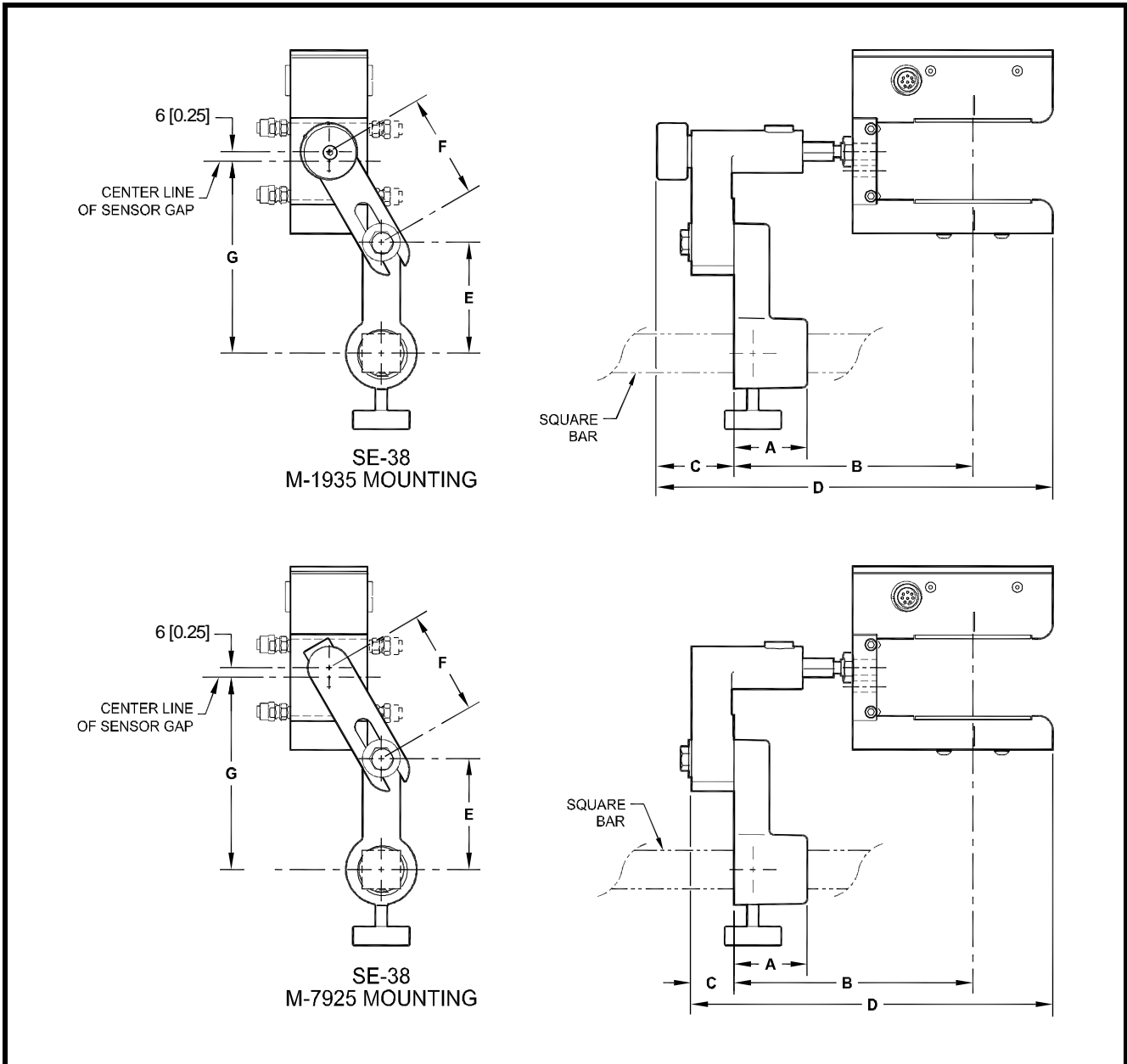


Figure 3.

SE-38 Sensor with optional M-1935 or M-7925 sensor mounting

SENSOR MOUNTING	SQUARE BAR		A	B ADJUSTABLE	C	D ADJUSTABLE	E	F ADJUSTABLE	G ADJUSTABLE
	SIZE	MAXIMUM LENGTH							
M-1935	25 [1.00]	1829 [72.00]	51 [2.00]	143-171 [5.63-6.75]	51 [2.00]	246-275 [9.70-10.83]	75 [2.94]	46-77 [1.80-3.05]	25-140 [1.00-5.50]
	32 [1.25]	2438 [96.00]	64 [2.50]				114 [4.50]		25-178 [1.00-7.00]
M-7925	25 [1.00]	1829 [72.00]	51 [2.00]	137-175 [5.38-6.88]	28 [1.12]	218-256 [8.58-10.08]	75 [2.94]	46-77 [1.80-3.05]	25-140 [1.00-5.50]
	32 [1.25]	2438 [96.00]	64 [2.50]				114 [4.50]		25-178 [1.00-7.00]

Table 2.

Product Specifications

Weights

SE-38 sensor only	856 g [30.2 oz.]
with M-17 sensor mounting	941 g [33.2 oz.]
with M-18 sensor mounting	970 g [34.2 oz.]
with M-1935 sensor mounting	2400 g [84.2 oz.]

Operation

Operating temperature	0° to 60° C [32° to 140° F]
Voltage required for operation	10-15 VDC
Maximum supply current	80 mA
Output signal	0 to 10 mA
Infrared wavelength	880 nm
Proportional band	43.18 mm [1.7 in]
Sensor resolution	0.063 mm [0.0025]
ESD protected	designed to IEC 801-2

Requirements for air sweep

Air supply	regulated air free of oil and water
Air pressure range	.3 to 4.1 bar [5 to 60 psi]
Estimated consumption	8 to 34 cfm at 27 ° C [80° F] with both ports used



NORTH, CENTRAL
AND SOUTH AMERICA
Tel +1.360.834.2345
Fax +1.360.834.5865
sales@maxcessintl.com
www.maxcessintl.com

INDIA

Tel +91.22.27602633
Fax +91.22.27602634
india@maxcessintl.com
www.maxcess.in

EUROPE, MIDDLE EAST
AND AFRICA
Tel +49.6195.7002.0
Fax +49.6195.7002.933
sales@maxcess.eu
www.maxcess.eu

JAPAN

Tel +81.43.421.1622
Fax +81.43.421.2895
japan@maxcessintl.com
www.maxcess.jp

CHINA

Tel +86.756.881.9398
Fax +86.756.881.9393
info@maxcessintl.com.cn
www.maxcessintl.com.cn

KOREA, TAIWAN, AND SE ASIA

Tel +65.9620.3883
Fax +65.6235.4818
asia@maxcessintl.com