

GUIDE ROLLER ALIGNMENT
SYMAT 50 AND DS-70B OPG

In order for the guide to operate efficiently and prevent the formation of wrinkles, the guide rollers must be parallel to each other and parallel to the entering idler roller and the exiting idler roller. The alignment of the guide rollers is accomplished with adjusting the roller eccentrics. See Figure 1. Accuracy requirements of this alignment are determined by the type of web material being run through the process line. Factory alignment is within 0.010 total indicator reading. To adjust guide roller alignment, proceed as follows:

1. Ensure that the entering idler roller and the exiting idler roller are parallel to each other in the process line.
2. Set the guide in the centered position.
3. Loosen eccentric locking bolts and rotate eccentrics out to the position that places the greatest distance between the two guide rollers ("L" Dimension). See Figure 1.

Measure the distance (perpendicular to the guide movement) between the guide rollers approximately 1 inch from the end of the rollers on both sides ("L" Dimension measurements (A)

and (B), Figure 1). When the greatest distance between the guide rollers is obtained, the "L" Dimension measurement (A) and "L" Dimension measurement (B) will be the same.

4. Measure the distance between the entering idler roller and the entering guide roller (Dimension "J", Figure 2); again, approximately 1 inch from each end of the rollers.

Rotate each entering guide roller eccentric half the distance of the difference. For example, if "J" equals 12.580 on the left side and 12.560 on the right side, lower the left eccentric 0.010 and raise the right eccentric 0.010. See Figure 3.

This will put the entering guide roller parallel to the entering idler roller and maintain parallelism between the two guide rollers. (The guide rollers do not have to be at the same height, respective to each other, for the system to operate properly.)

5. To adjust the exiting rollers ("K" Dimension, Figure 2), follow the same instructions described in step 4.
6. Double check all measurements and retighten the eccentric locking bolts.

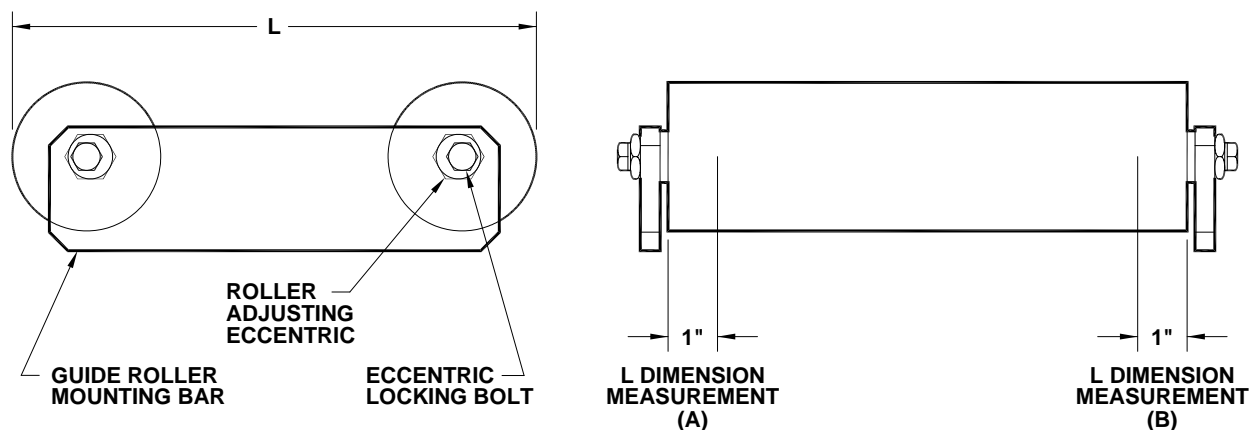


Figure 1.
PIVOT CARRIER

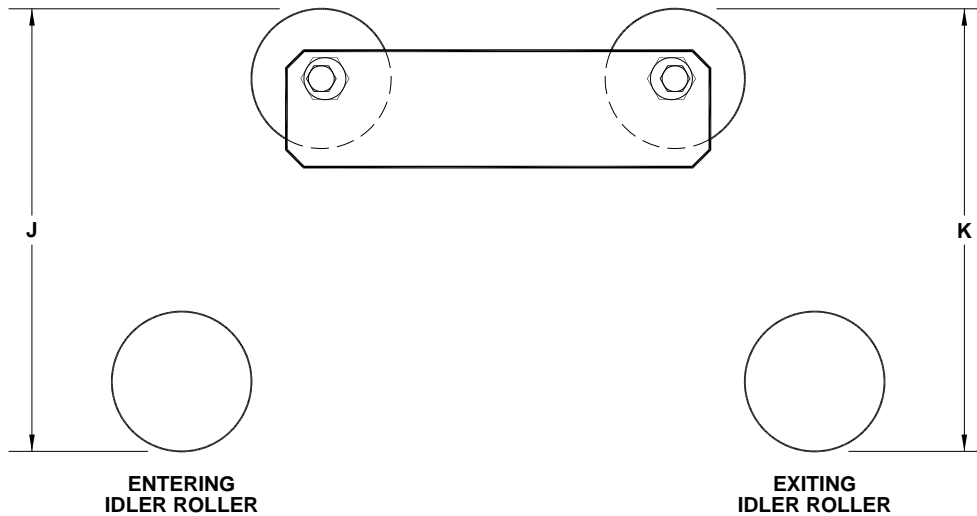


Figure 2.
ENTRY AND EXIT GUIDE SPAN

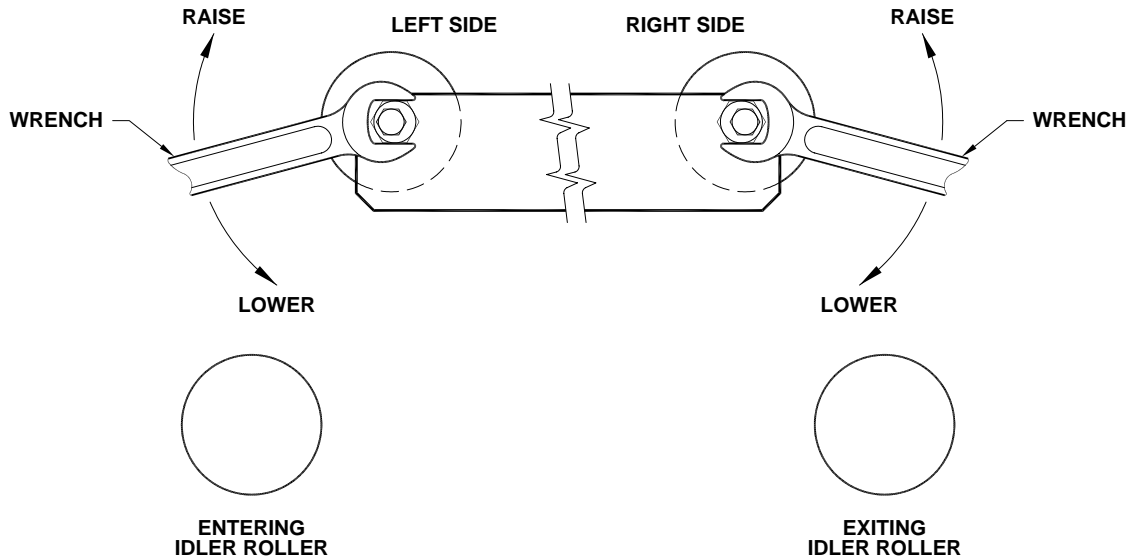


Figure 3.
ROLLER ALIGNMENT



MAXCESS INTERNATIONAL COMPANIES



GUIDING · INSPECTION



TENSION CONTROL



SLITTING · WINDING

FIFE CORPORATION

222 W. Memorial Road, Oklahoma City, OK 73114-2317, USA / Post Office Box 26508, Oklahoma City, OK 73126-0508, USA
Phone: 405.755.1600 / 800.639.3433 / Fax: 405.755.8425 / E-mail: fife@fife.com / Web: www.fife.com