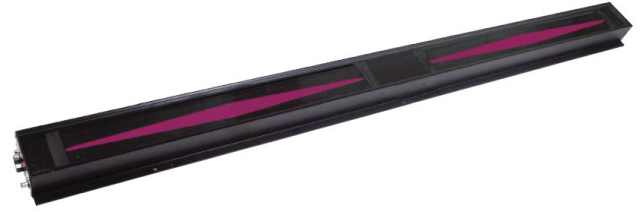


# H3218 CENTER-GUIDE DETECTOR



The Fife H3218 center-guide detector provides a signal proportional to the center position of a strip of material; independent of material width. Two models of the H3218 are available; depending upon light source choice. The H3218 is for use with the H3137 family of fluorescent light sources. An enhanced version, the H3218E, is for use with the H3157E LED light source. Advanced signal processing allows the H3218 to discriminate between the pulsed light from either the H3137 or H3157 and other sources of light.



Control is maintained during material width changes. No repositioning of the detector is required during product width changes. The H3218, features all plug-in connections and requires no critical alignment between detector and light source. An automatic calibration routine can be initiated either locally via a pushbutton or remotely through a contact closure, and allows the detector to compensate for varying light levels based on detector-to-light source gap.

The distance between the detector and light source can range from 2 to 10 feet (0.6 to 3 meters); providing greater flexibility for system installation.

The H3218 provides a contact closure; indicating the status of the detector. This signal, when combined with the status outputs of other Fife equipment, will provide a continuous indication of guiding system operation.

## SPECIFICATIONS

### Power Requirements:

10 to 30 Vdc at 3.3 watts

### Light Source:

H3157E with H3218E

H3137 or H3137 with Blue Lens  
with H3218

### Note:

Light source is dependent upon  
detector and gap. Consult with  
Fife Application Engineer.

### Analog Output:

+/- 10 Vdc proportional to strip  
centerline

### Status Output:

Contact closure indicates normal  
detector operation

### Recommended Gap with Light Source:

2 to 10 feet (0.6 to 3 meters)

### Sensor Sizing:

Sensor is sized based on minimum  
and maximum strip widths. Refer to  
selection chart for specific  
sensor model numbers.

### Three Connectors:

Two for power and communications,  
one for H3218 analog output

### Lens Materials:

Polycarbonate

### Operating Temperature Range:

0 to 50° C (32 to 122° F)

### Recommended Passline (from light source to material):

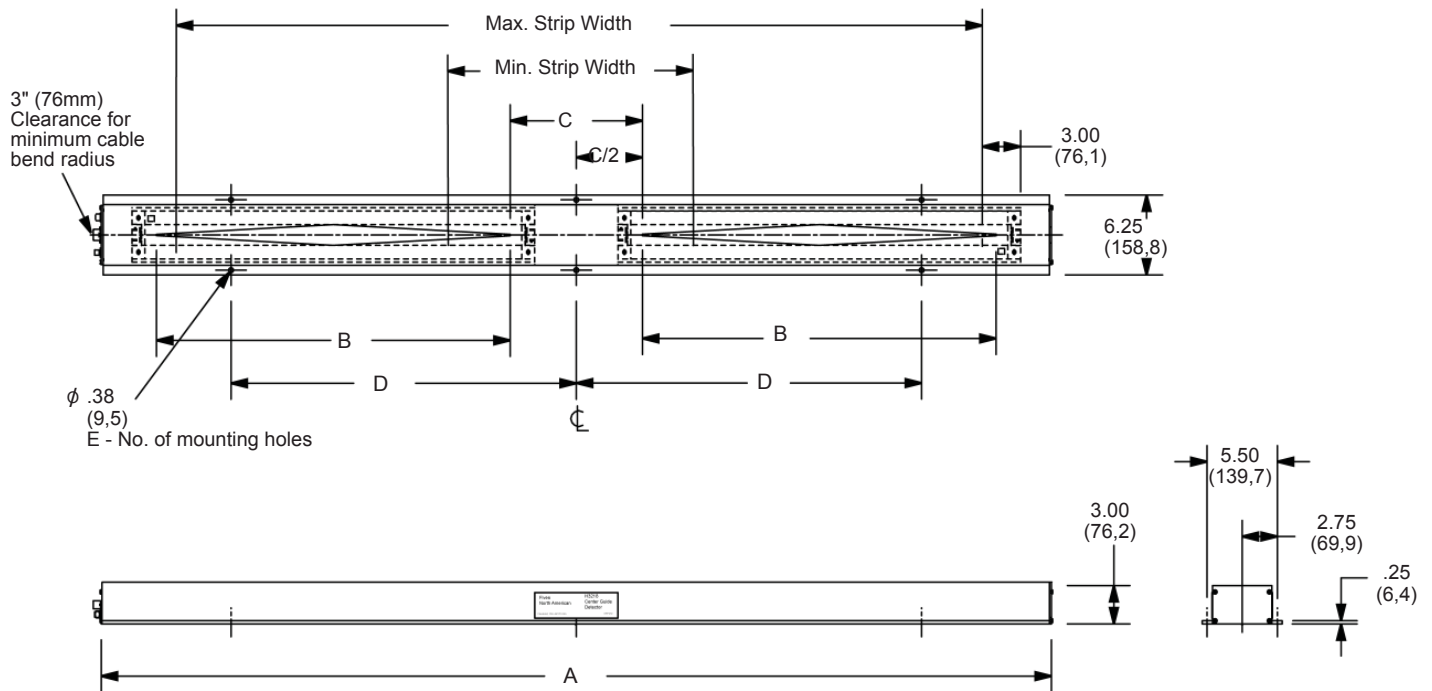
50% of gap.

## KEY FEATURES

- Digital self-calibration
- Accommodates width changes without repositioning detectors
- Self diagnostics with status outputs
- Unaffected by web plane changes
- 10 to 30 Vdc operation
- All plug-in connections

# H3218 CENTER-GUIDE DETECTOR

## DIMENSIONS



### NORTH, CENTRAL AND SOUTH AMERICA

Tel +1.405.755.1600  
 Fax +1.405.755.8425  
[sales@maxcessintl.com](mailto:sales@maxcessintl.com)  
[www.maxcessintl.com](http://www.maxcessintl.com)

### INDIA

Tel +91.22.27602633  
 Fax +91.22.27602634  
[india@maxcessintl.com](mailto:india@maxcessintl.com)  
[www.maxcess.in](http://www.maxcess.in)

### EUROPE, MIDDLE EAST AND AFRICA

Tel +49.6195.7002.0  
 Fax +49.6195.7002.933  
[sales@maxcess.eu](mailto:sales@maxcess.eu)  
[www.maxcess.eu](http://www.maxcess.eu)

### JAPAN

Tel +81.43.421.1622  
 Fax +81.43.421.2895  
[japan@maxcessintl.com](mailto:japan@maxcessintl.com)  
[www.maxcess.jp](http://www.maxcess.jp)

### CHINA

Tel +86.756.881.9398  
 Fax +86.756.881.9393  
[info@maxcessintl.com.cn](mailto:info@maxcessintl.com.cn)  
[www.maxcessintl.com.cn](http://www.maxcessintl.com.cn)

### KOREA, TAIWAN AND SE ASIA

[asia@maxcessintl.com](mailto:asia@maxcessintl.com)  
[www.maxcessintl.asia](http://www.maxcessintl.asia)