

MAXCESS®

MAGPOWR

The DLCA NET is a new load cell amplifier with embedded dual port communications including EtherNet/IP, PROFINET, Modbus TCP and EtherCAT. Also included are Rockwell features like EDS File based AOP (add on profile), DLR (Device Level Ring) and PTP data time stamping.



DLCA NET



DLCA NET-SLIM



DLCA NET-IP65

The DLCA NET transmits calibrated tension values over the communications to a PLC, HMI or drive to display tension or be used in a tension control loop when not using a MAGPOWR tension control.

The DLCA NET is available in 3 mounting options as shown above and is available as a single channel version to monitor tension in a single zone with separate left and right load cell inputs or as a dual channel amplifier for 2 separate tension zones.

GENERAL SPECIFICATIONS

Product Name:

DLCA NET

Supply Power:

24 VDC, +/- 10%, 250 mA maximum

Load Cell Inputs:

Single Channel Version:

1 or 2 load cells from a single tension zone, connected to a left and right input

Two Channel Version:

1 or 2 load cells from two separate tension zones connected to a channel 1 and 2 input

Load Cell Excitation:

5 or 7.5 VDC, 200 mADC maximum

Load Cell Sensitivity:

1.5 mV/V to 100 mV/V, 500 mV max.

Tension Sampling Rate:

2 milliseconds (500 Hz)

Tension A to D Resolution:

24 bit (14 bit average)

Adjustable Filtering:

0.1 to 100 Hz; or can be turned off for raw data output of 500 Hz

Ethernet:

2 ports (10/100 Mbps)

Communication Protocols:

EtherNet/IP, PROFINET, Modbus TCP and an embedded web server page or EtherCAT

Alarms:

Two programmable alarms

Ready to Run Alarm:

Indicates no errors, ready to operate

Temperature Range:

Operating:
0 to 60 degrees C
(32 to 140 degrees F)

Storage:

-20 to 80 degrees C
(-4 to 176 degrees F)

Gain:

32:1

Tare Adjustment:

90% of load cell rating

Software Tools:

PC software for tension data recording and configuration backup

Certifications

CE (EN61326-1)
TUV Mark (UL61010-1)
CAN/CSA-C22.2# 61010-1
CB to IEC 61010-1
RoHS

KEY FEATURES

- Available in DLCA NET, DLCA NET-Slim and DLCA NET-IP65 models
- Single and dual channel versions
- Left and right load cell inputs allow tension monitoring on each side of the web (single channel version)
- Two programmable alarms
- Dual Ethernet ports
- Accessible from any PLC that communicates over EtherNet/IP, PROFINET, Modbus TCP and an embedded web server page or EtherCAT
- Rockwell AOP (add on profile)
- DLR (Device Level Ring)
- PTPv2 and PTPv1 time stamping
- DLCA NET**
 - Relay output that signals “ready to run”
 - Six-segment display
 - Analog outputs for left, right and total tensions
- DLCA NET-Slim and DLCA NET-IP65**
 - All tensions, ready to run signal and alarm outputs over communications



DLCA NET

MODEL	PART NUMBER	DESCRIPTION
DLCA NET1	29DLCANET1	single tension zone with all communications (except EtherCAT)
DLCA NET2	29DLCANET2	two tension zones with all communications (except EtherCAT)
DLCA NET1 ECAT	29DLCANET1ECAT	single tension zone with EtherCAT only
DLCA NET2 ECAT	29DLCANET2ECAT	two tension zones with EtherCAT only
ENETCBLRJ45RJ45-XX-M	29ENETCBLRJ45RJ45-XX-M	communications interconnect cable with RJ45 connectors on each side- available from 0.3 to 90 meters in various lengths (consult factory for available lengths)
ENETCBLM12RJ45-XX-M	29ENETCBLM12RJ45-XX-M	communications interconnect cable with M12 and RJ45 connectors. XX= length in 5 meter increments (5 to 30 m)

ADDITIONAL SPECIFICATIONS

Product Name:
DLCA NET

Display:
6 Digit LED

Enclosure
IP20

Mounting:
DIN 35 Rail

Digital Input (re-zero):
24 VDC maximum
5 VDC or 24 VDC selectable threshold

Outputs:

Analog Outputs:
0 to 10 VDC, 2 kohm minimum load
4 to 20 mADC, 450 ohm maximum load

Reference Meter Output
0 to 1 mADC, 1 kohm maximum load or 0 to 10 VDC open circuit

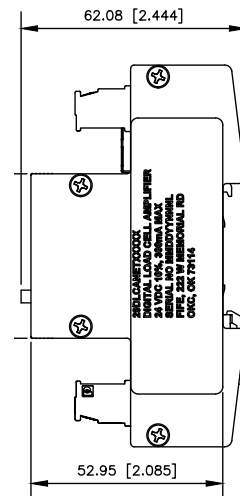
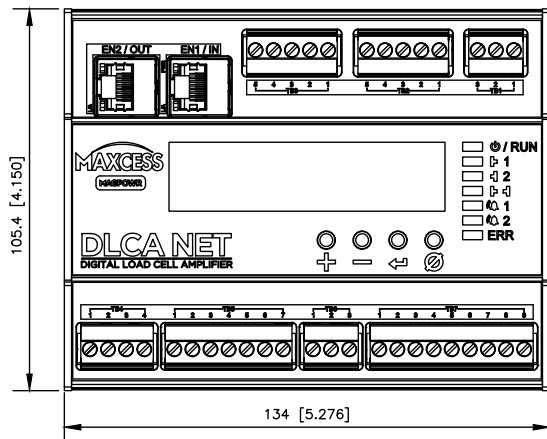
Alarm Output:
30 VDC maximum, 0.4 ADC maximum

Notes:

LED's on unit for power/ready to run, left tension display, right tension display, total tension display, alarm 1, alarm 2 and error

Setup and calibration by display and four push buttons on unit, web server page and computer or connected interface device over communications

DIMENSIONS



Dimensions shown in mm (inches)



MODEL	PART NUMBER	DESCRIPTION
DLCA NET-SLIM1	29DLCANETSLIM1	single tension zone with all communications (except EtherCAT)
DLCA NET-SLIM2	29DLCANETSLIM2	two tension zones with all communications (except EtherCAT)
DLCA NET-SLIM1 ECAT	29DLCANETSLIM1ECAT	single tension zone with EtherCAT only
DLCA NET-SLIM2 ECAT	29DLCANETSLIM2ECAT	two tension zones with EtherCAT only
ENETCBLRJ45RJ45-XX-M	29ENETCBLRJ45RJ45-XX-M	communications interconnect cable with RJ45 connectors on each side- available from 0.3 to 90 meters in various lengths (consult factory for available lengths)
ENETCBLM12RJ45-XX-M	29ENETCBLM12RJ45-XX-M	communications interconnect cable with M12 and RJ45 connectors. XX= length in 5 meter increments (5 to 30 m)

DLCA NET-SLIM

ADDITIONAL SPECIFICATIONS

Product Name:
DLCA NET-SLIM

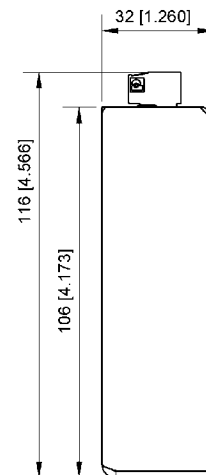
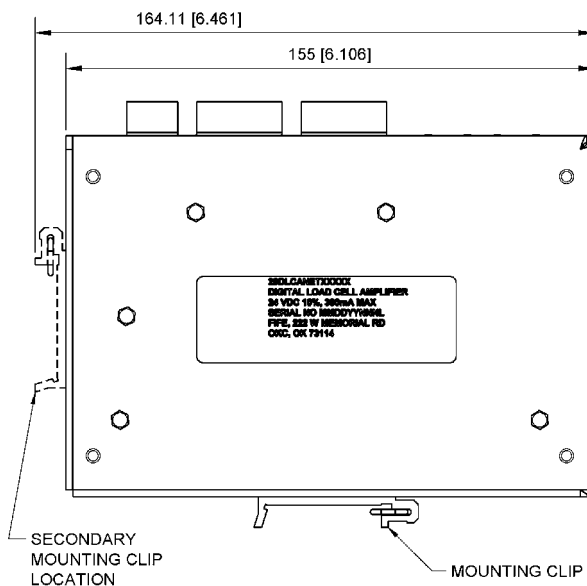
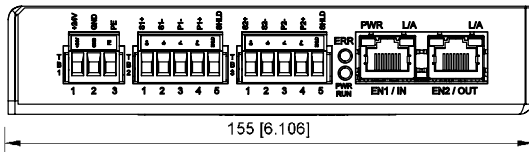
Enclosure
IP20

Mounting:
DIN 35 Rail

Outputs:
All outputs and alarms are over communications except for power/ready to run and error indicators

Notes:
Setup and calibration by web server page and computer or connected interface device over communications

DIMENSIONS



Dimensions shown in mm (inches)



DLCA NET-IP65

MODEL	PART NUMBER	DESCRIPTION
DLCA NET-IP651	29DLCANETIP651	single tension zone with all communications (except EtherCAT)
DLCA NET-IP652	29DLCANETIP6522	two tension zones with all communications (except EtherCAT)
DLCA NET-IP651 ECAT	29DLCANETIP651ECAT	single tension zone with EtherCAT only
DLCA NET-IP652 ECAT	29DLCANETIP652ECAT	two tension zones with EtherCAT only
IP65 Power Cable	29IP65PWRCBL-XX-M	Power cable for all DLCA NET-IP65 versions. XX= length in 5 meter increments (5 to 50 m)
Load Cell Cable	29IP65LCCBL-XX-M	Load Cell cable for all DLCA NET-IP65 versions. XX= length in 5 meter increments (5 to 60 m)
ENETCBLM12M12-XX-M	29ENETCBLM12M12-XX-M	communications interconnect cable with M12 connectors on each side- available from 0.3 to 90 meters in various lengths (consult factory for available lengths)
ENETCBLM12RJ45-XX-M	29ENETCBLM12RJ45-XX-M	communications interconnect cable with M12 and RJ45 connectors. XX= length in 5 meter increments (5 to 30 m)

ADDITIONAL SPECIFICATIONS

Product Name:
DLCA NET-IP65

Enclosure
IP65

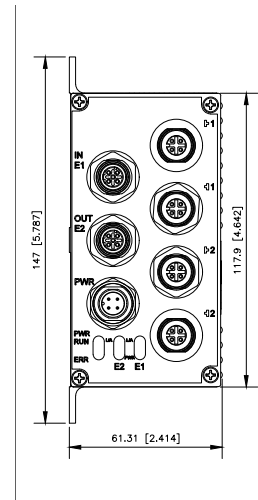
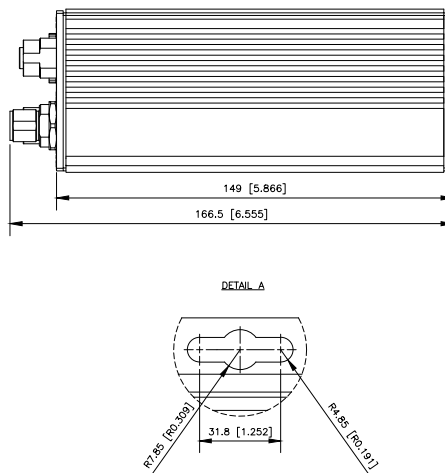
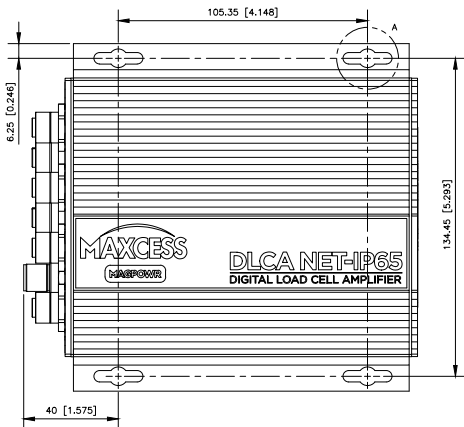
Mounting:
Wall Mount Slots

Outputs:
All outputs and alarms are over communications except for power/ ready to run and error indicators

Notes:
Setup and calibration by web server page and computer or connected interface device over communications

Power and load cell connections through IP65 cables (part numbers above)

DIMENSIONS



Dimensions shown in mm (inches)



NORTH, CENTRAL AND SOUTH AMERICA
Tel +1.405.755.1600
Fax +1.405.755.8425
sales@maxcessintl.com
www.maxcessintl.com

EUROPE, MIDDLE EAST AND AFRICA
Tel +49.6195.7002.0
Fax +49.6195.7002.933
sales@maxcess.eu
www.maxcess.eu

CHINA
Tel +86.756.881.9398
Fax +86.756.881.9393
info@maxcessintl.com.cn
www.maxcessintl.com.cn

INDIA
Tel +91.22.27602633
Fax +91.22.27602634
india@maxcessintl.com
www.maxcess.in

JAPAN
Tel +81.43.421.1622
Fax +81.43.421.2895
japan@maxcessintl.com
www.maxcess.jp

KOREA, TAIWAN AND SE ASIA
Tel +65.9620.3883
Fax +65.6235.4818
asia@maxcessintl.com