

TIDLAND SERIES 800 EXTERNAL ELEMENT

AIR SHAFTS

MAXCESS®

MAGPOWR

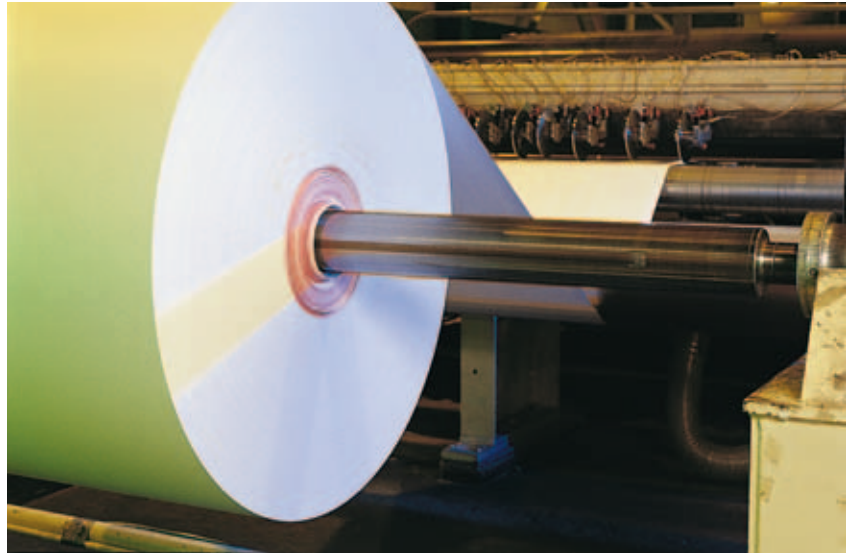


TIDLAND

UNWIND & REWIND APPLICATIONS

Series 800 shafts feature innovative two-piece expanding elements, which deliver an impressive combination of balance and torque. These advanced shafts also feature self retraction, durable poly bladder, and a fail-safe multi-circuit air system, with check valves to ensure that a loss of air in one element will not affect the expansion and performance of the other elements.

The Series 800 Strip Shaft is designed for medium- to heavy-duty in 76.2 mm to 508 mm (3 inch to 20 inch) ID cores. This shaft's full-length strip design delivers excellent torque characteristics, making it ideal for general duty unwind and rewind applications.



GENERAL SPECIFICATIONS

Series 800 Strip Shaft - Medium- to Heavy-Duty

76.2 mm to 508 mm (3 inch to 20 inch) ID Cores

Approximate Torque Capacities* (per inch of web)

NOMINAL SIZES		FIBER CORE	STEEL CORE
INCHES	MM	LB-IN	LB-IN
3	76.2	132	141
4	101.6	235	251
5	127	294	315
6	152.4	353	378
6.75	171.45	395	423
8	203.2	705	754
10	254	885	947
12	304.8	1415	1514
14	355.6	1650	1766
16	406.4	2355	2520
18	457.2	2650	2836
20	508	2944	3150

Options Include:

- Side, end or dual valves
- Rotary union and remote valves
- Cantilevered support mounting
- Aluminum, steel or alloy bodies
- Corrosion resistant finishes

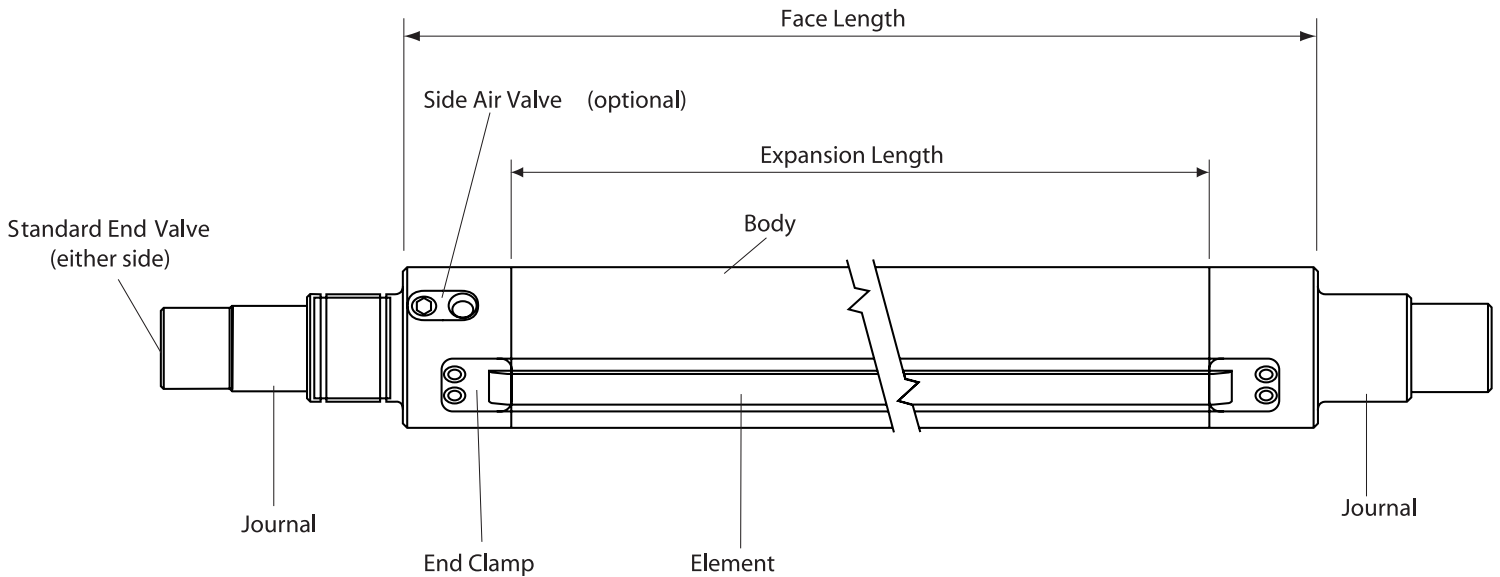
Larger diameter sizes available
*Torque values are shown at 80 psi.

KEY FEATURES

- Advanced strip design delivers ideal combination of balance and torque
- Two-piece expanding elements can be changed easily, without even removing the shaft from the machine
- Journal detail can be customized to fit existing equipment
- Available in many sizes to accommodate any converting application
- Faster, easier shaft handling maximizes productivity
- Durable construction designed to withstand abuse and abrasion
- Manufactured to your specifications

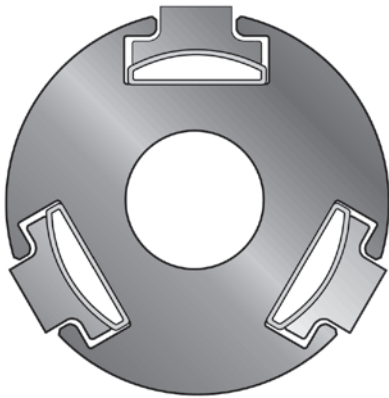
TIDLAND SERIES 800 EXTERNAL ELEMENT

AIR SHAFTS

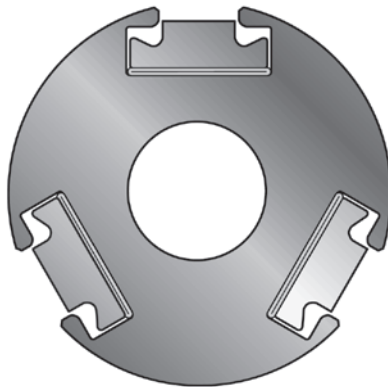


DESIGN FEATURES

Two piece external expansion



Expanded view of External Element Shaft



Collapsed view of External Element Shaft

MAXCESS[®]



NORTH, CENTRAL AND SOUTH AMERICA

Tel +1.360.834.2345
Fax +1.360.834.5865
sales@maxcessintl.com
www.maxcessintl.com

INDIA

Tel +91.22.27602633
Fax +91.22.27602634
india@maxcessintl.com
www.maxcess.in

EUROPE, MIDDLE EAST AND AFRICA

Tel +49.6195.7002.0
Fax +49.6195.7002.933
sales@maxcess.eu
www.maxcess.eu

JAPAN

Tel +81.43.421.1622
Fax +81.43.421.2895
japan@maxcessintl.com
www.maxcess.jp

CHINA

Tel +86.756.881.9398
Fax +86.756.881.9393
info@maxcessintl.com.cn
www.maxcessintl.com.cn

KOREA, TAIWAN AND SE ASIA

Tel +65.9620.3883
Fax +65.6235.4818
asia@maxcessintl.com