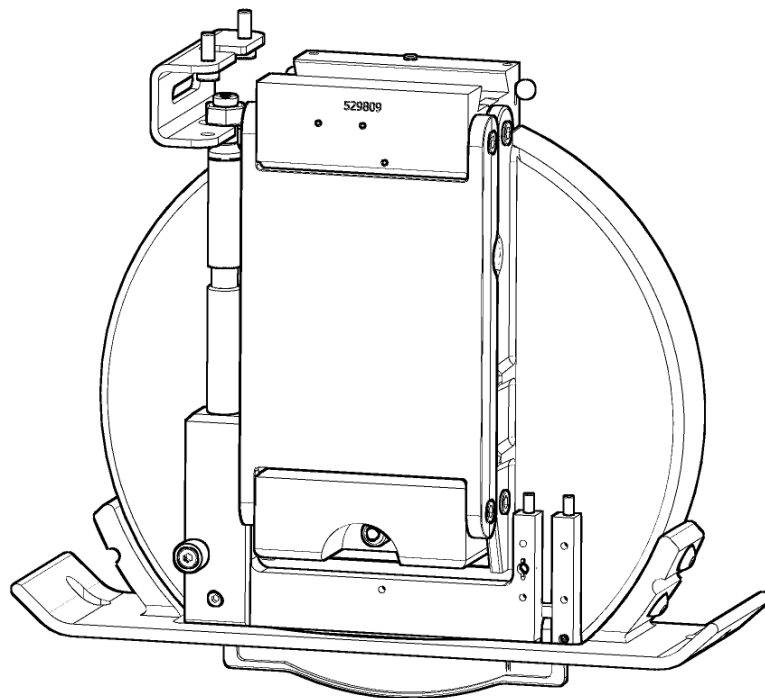




# Tidland 360° Cartridge with Mechanical Actuator

## User Manual

---



---

EN

MI 778345 1 C



# CONTENTS

INTRODUCTION	1-1
Safety .....	1-1
About the blade guard .....	1-1
Related documentation .....	1-1
Nomenclature.....	1-2
OPERATION	2-1
Adjusting the guard .....	2-1
Removing the blade cartridge .....	2-2
Reversing the actuator assembly .....	2-1
ASSEMBLY AND PARTS LIST	4-1
MAINTENANCE	4-1
Removing the knife blade from the cartridge .....	4-1

## Safety

**Warning**

Knife blades are sharp.  
Can cause serious injury to hands.  
Guards must be in place during operation.  
Use only recommended tools when handling knife blades.

---

## About the blade guard

The reversible blade guard covers the blade when the knifeholder is retracted during non-operation and handling.

The guard is held in place by a bracket installed on the guide bar mount and is actuated by the extension of the knifeholder.

The actuator assembly is reversible; it can be moved to the other side of the blade guard strut. See page

Modified blade guards are available for strip blades and wide rim blades.

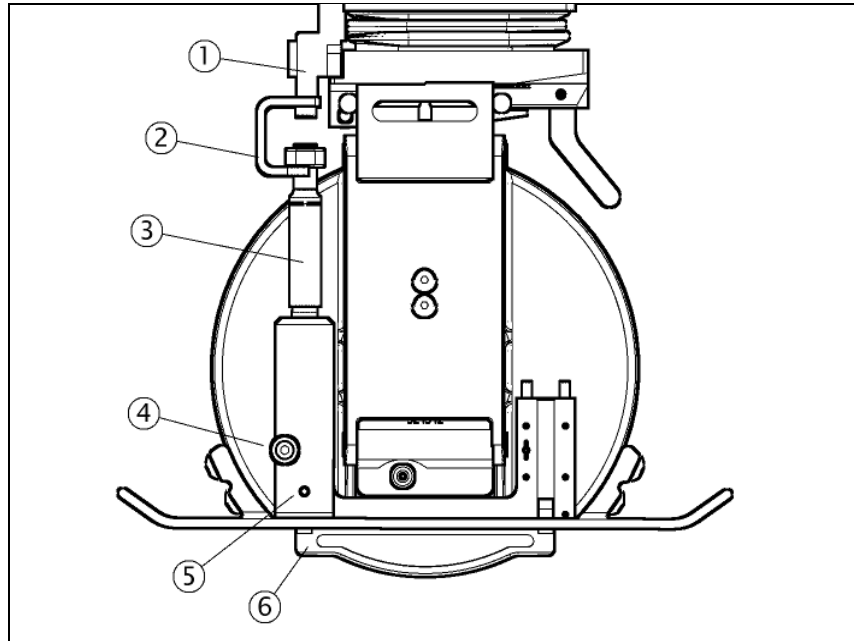
## Related documentation

Please see the Tidland User Manual for your knifeholder for:

- information about knifeholder parts or functions described in this publication
- complete cartridge maintenance

## Nomenclature

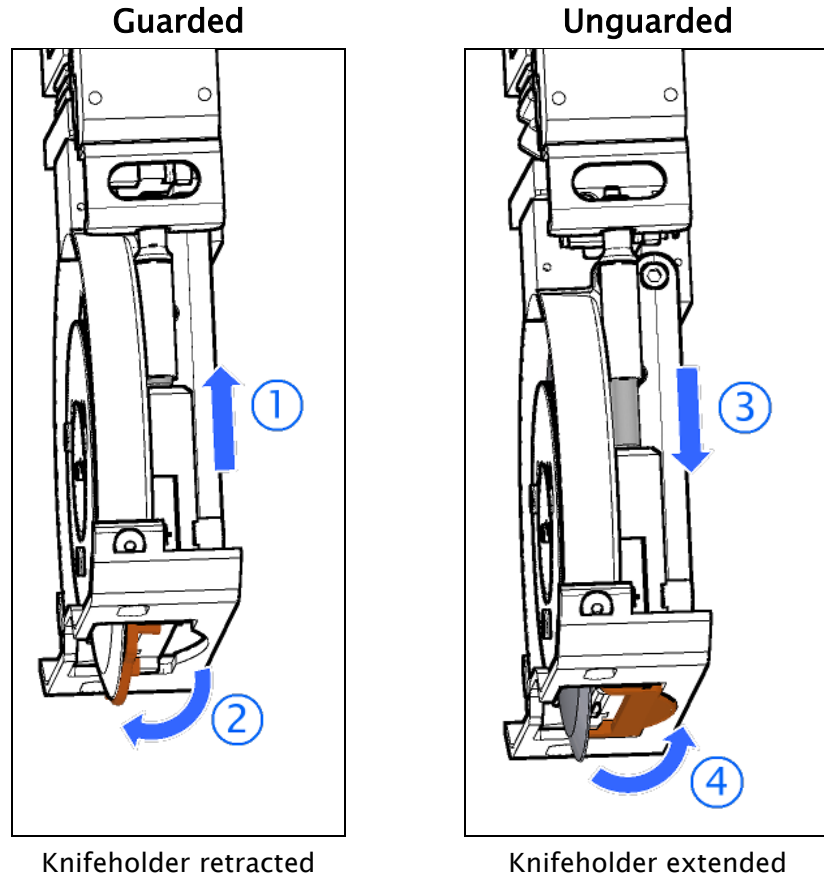
Performance Series  
Automatic KH shown here.



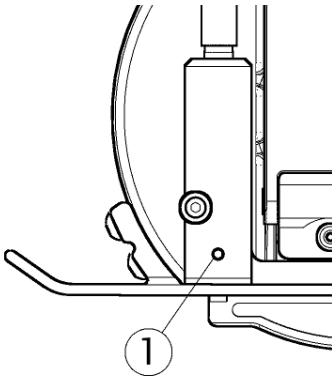
1	Guide bar mount
2	Bracket (stationary)
3	Actuator assembly (reversible)
4	Actuator assembly release pin
5	Adjustment screw
6	Blade guard

## 360° blade guard

When the blade cartridge is retracted, the blade is guarded.  
When the blade cartridge extends, the blade is unguarded.



## Adjusting the blade guard



To adjust the guard for a closer fit to the knife blade, turn the M5 adjustment set screw (1) clockwise until the guard touches the blade, and then back off one-quarter turn.

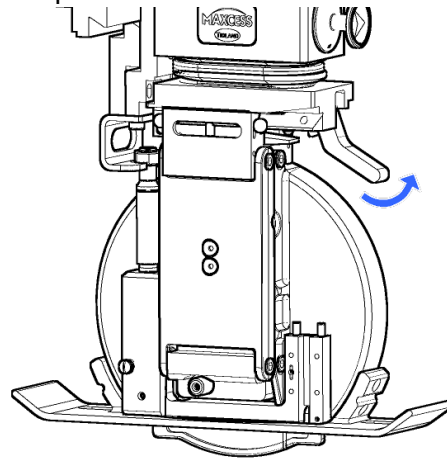
The knife blade should spin freely and smoothly on the blade hub and not rub on the guard.

## Removing the blade cartridge



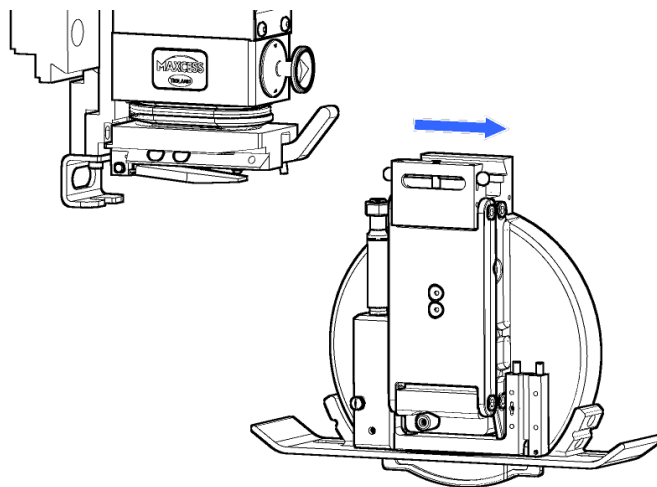
When the 360° Blade Guard cartridge is installed, the blade is guarded when the knifeholder is retracted.

1. Lift lock lever up.



2. Slide cartridge off of knifeholder body.

[Tidland e-Knifeholder dovetail is shown here: cartridge function is the same on all knifeholders.]



If you are changing the cut side (reversing the blade cartridge on the knifeholder), you must reverse the 360° Blade Guard actuator assembly if installed.

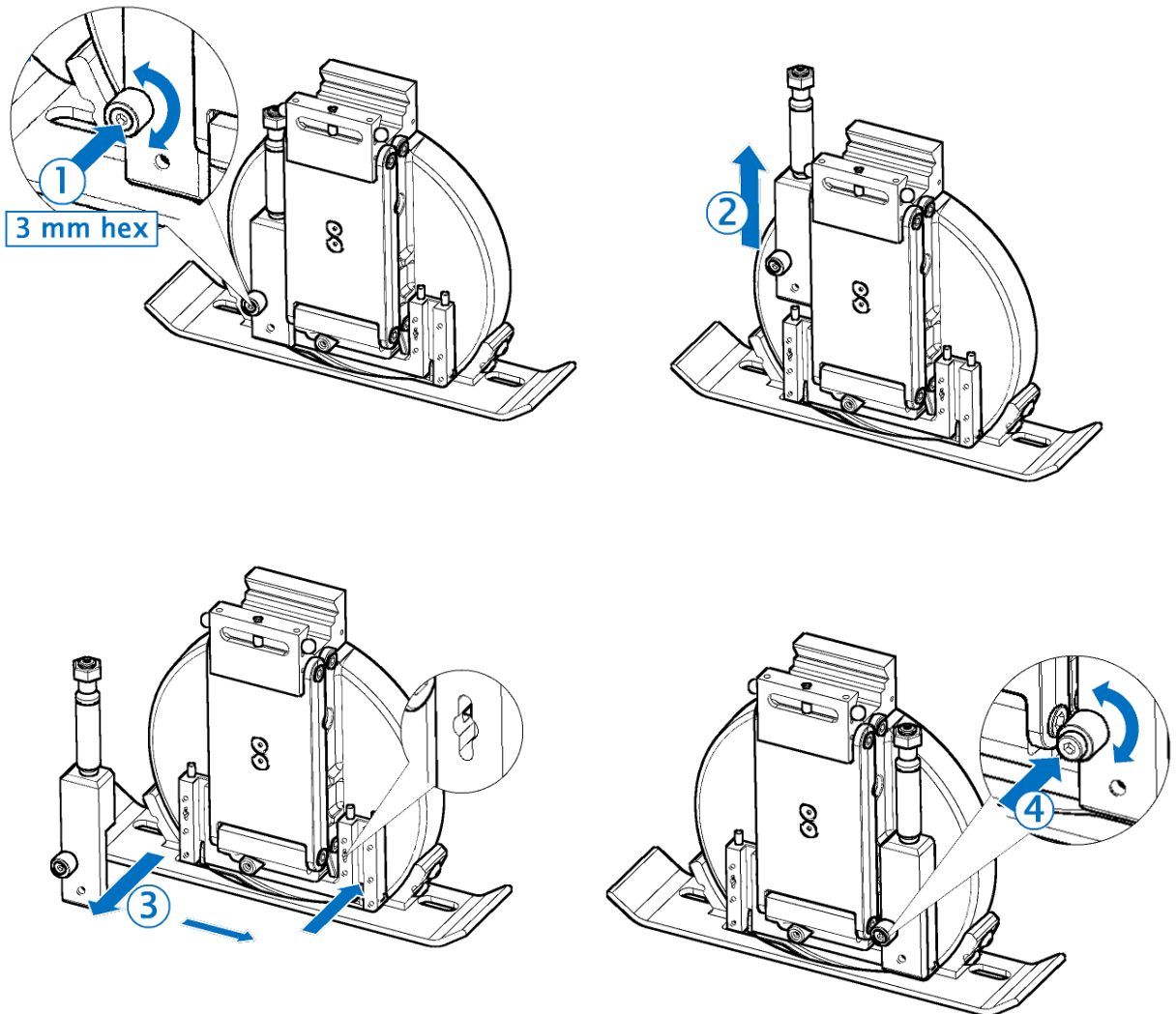
You must also reverse the cant key.

## Reversing the blade guard actuator assembly



Remove the blade cartridge from the knifeholder before reversing the actuator assembly.

If you are using a Performance Series Manual Knifeholder, you must also reverse the hose assembly. See page 2-2.



Before reinstalling the blade cartridge on the knifeholder, remove dust and debris from the dovetail interface components.



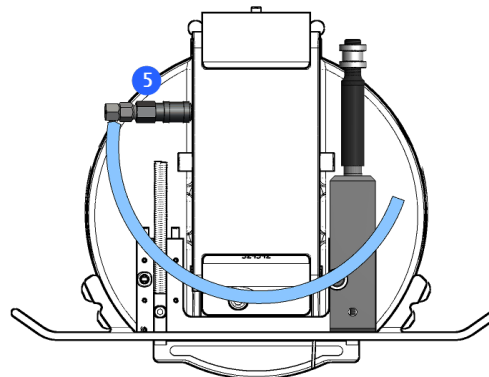
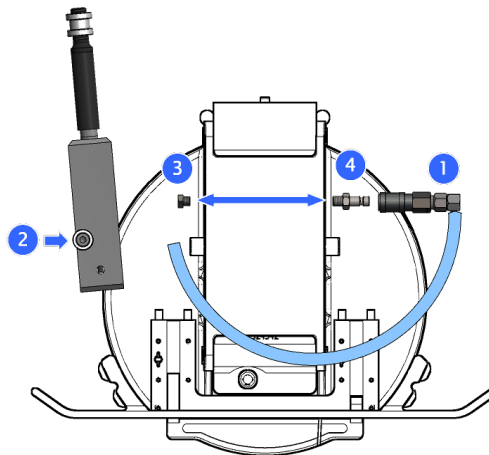
## Hose assembly

### Manual knifeholder only



If you reverse the actuator assembly on a Performance Series Manual Knifeholder, you will need to reverse the hose assembly.

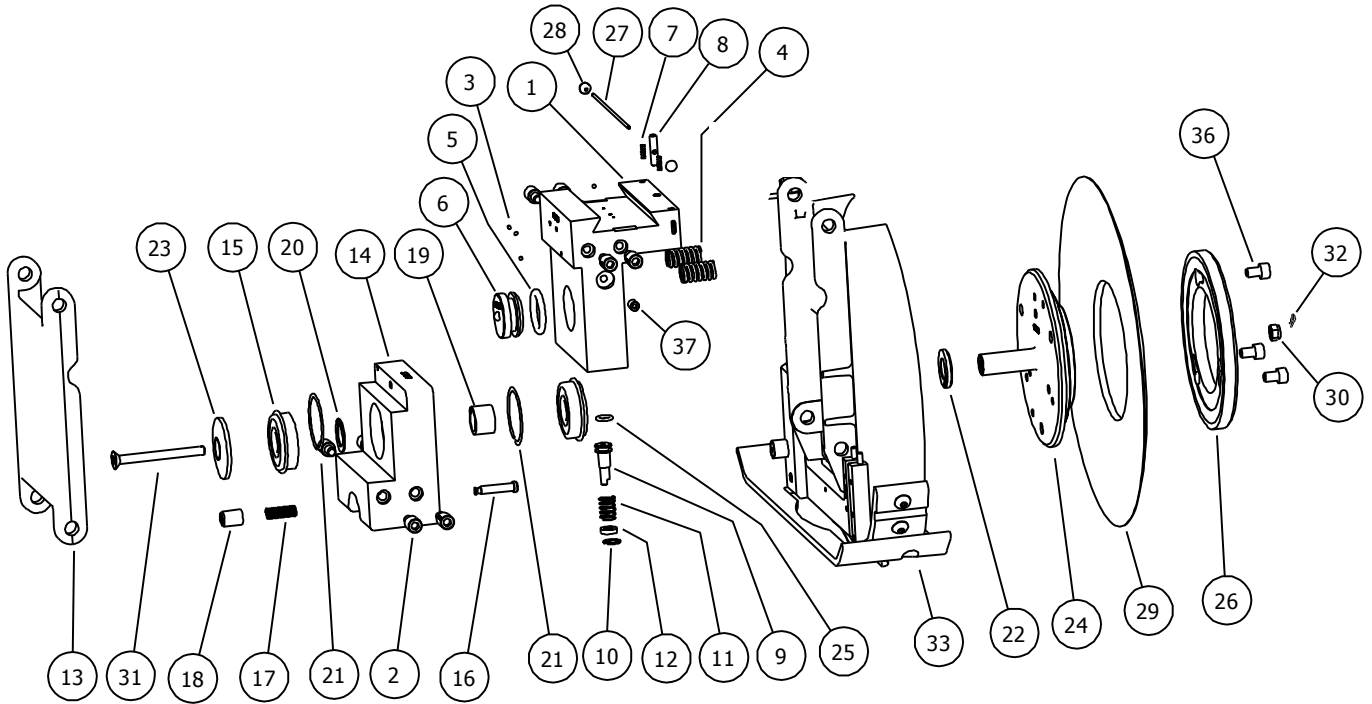
1. Disconnect the hose assembly at the cartridge (1).
2. Use 3 mm hex wrench to press in and turn the lock at (2), and lift the actuator assembly to remove.
3. Reverse the positions of the air plug (3) and air hose fitting (4) on the cartridge.
4. Install actuator assembly on the side opposite the hose fitting.
5. Reconnect the hose assembly at the cartridge (5). Make sure the other end of the hose is still connected to the knifeholder.



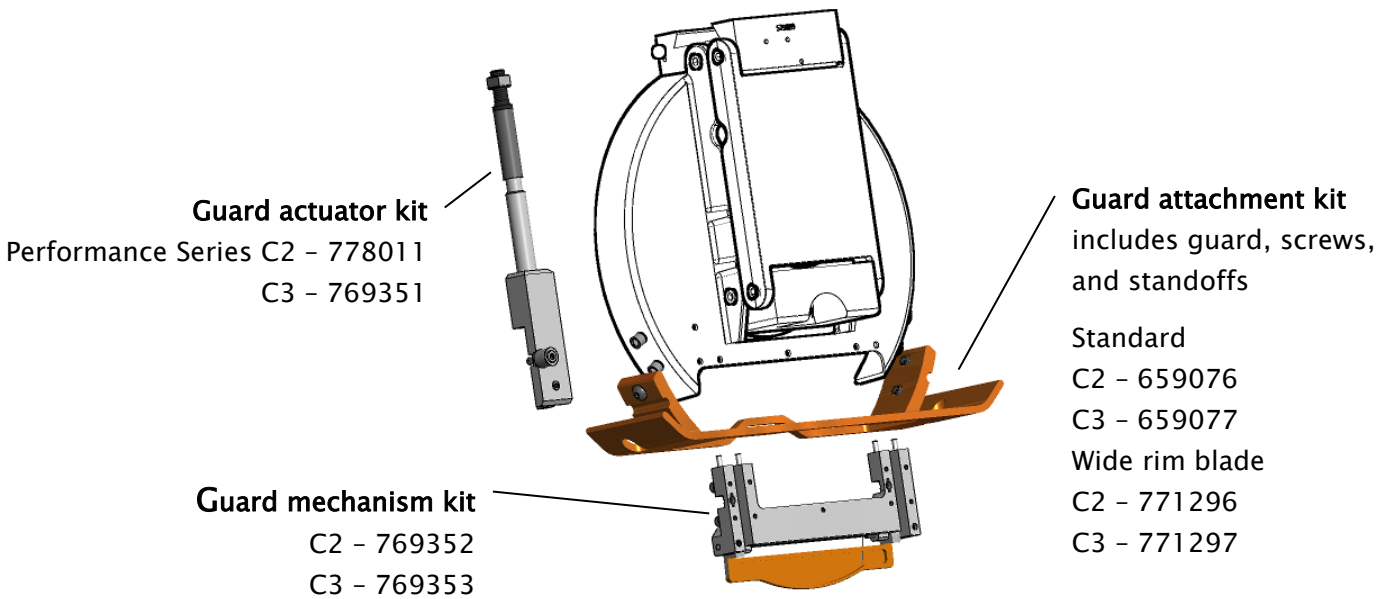
Blade cartridge with 360 degree blade guard

Class II — 766913

Class III — 766915



Item 33 is a sub-assembly that contains the following replaceable parts:



## Blade cartridge with 360 degree blade guard

## Parts list

Item	Description	Class II	Qty	Class III	Qty
1	Dovetail block	523492	1	529809	1
* 2	Pivot stud	535263	8	535263	8
3	Steel ball 2 mm	557259	9	557259	5
4	Return spring	131118	2	131118	2
* 5	O-ring, piston (Parker 2-210-C557-70)	126479	1	126479	1
6	Piston	131108	1	131108	1
7	Safety lock spring	131119	2	131119	2
8	Safety lock pin	131114	1	131114	1
9	Piston	524541	1	524541	1
10	Snap ring (Truarc N5000-37)	132224	1	132244	1
11	Compression spring	524528	1	524528	1
12	Bushing	524525	1	524525	1
13	Strut, outboard	528098	1	529808	1
14	Bearing housing	524542	1	536837	1
* 15	Ball bearing	131121	2	131121	2
16	Blade lock pin	130172	1	130172	1
17	Blade lock spring	130179	1	130179	1
18	Blade lock cap	130173	1	130173	1
19	Bearing spacer	na	1	133184	1
20	Shim washer 3/4" OD x 1/2" ID x .025 thk	134304	1	134304	1
21	Snap ring (Smalley VH-125)	134305	1	134305	2
22	Shoulder ring	631251	1	631251	1
23	Bearing cap assembly	515511	1	515511	1
24	Blade hub	524544	1	135009	1
25	O-ring, set stop (Parker 2-010)	126193	1	126193	1
26	Blade clamp	524543	1	135010	1
27	Safety latch pin	131115	1	132891	1
28	Safety latch knob	131116	2	131116	2
* 29	Knife blade	128401	1	129833	1
30	Lock nut M5	133235	1	133235	1
31	Flat hd cap scr M5 x 60 mm lg (altered)	524549	1	518520	1
32	Hair pin	133710	1	133710	1
33	Blade guard actuator sub-assembly	778141	1	749589	1
34	Warning label	130921	2	130921	2
35	Cartridge arrow label	547635	2	547635	2
36	Soc hd cap scr M5 x 8 mm lg	549838	3	549838	3
37	Set scr M3 x 6 mm lg	132615	1	528690	1

\* Recommended spare parts

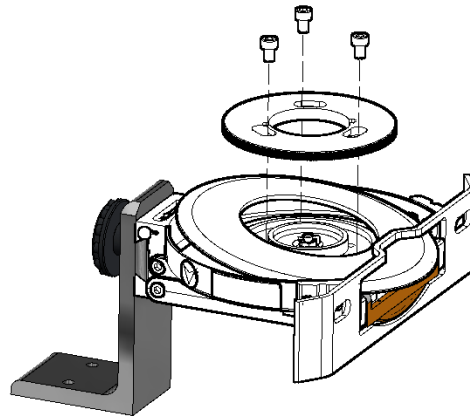
## Removing the knife blade from the cartridge



### Warning

Knife blades are sharp. Can cause serious injury to hands. Tidland recommends the use of stainless steel mesh gloves for extra protection.

1. Remove the blade guard actuator assembly. (See page 2-1.) The guard flap will swing out of the way.  
**Caution:** The knife blade edge is now exposed.
2. Secure the cartridge to a workbench using a Tidland Bench Fixture kit.



3. Tilt the blade out of the cartridge.

See your Tidland Performance Series knifeholder manual for torque specifications during reassembly.

Visit [www.maxcessintl.com](http://www.maxcessintl.com) for information about Tidland Slitting Accessories.



NORTH, CENTRAL  
AND SOUTH AMERICA  
Tel +1.360.834.2345  
Fax +1.360.834.5865  
sales@maxcessintl.com  
www.maxcessintl.com

EUROPE, MIDDLE EAST  
AND AFRICA  
Tel +49.6195.7002.0  
Fax +49.6195.7002.933  
sales@maxcess.eu  
www.maxcess.eu

CHINA  
Tel +86.756.881.9398  
Fax +86.756.881.9393  
info@maxcessintl.com.cn  
www.maxcessintl.com.cn

INDIA  
Tel +91.22.27602633  
Fax +91.22.27602634  
india@maxcessintl.com  
www.maxcess.in

JAPAN  
Tel +81.43.421.1622  
Fax +81.43.421.2895  
japan@maxcessintl.com  
www.maxcess.jp

KOREA, TAIWAN,  
AND SE ASIA  
Tel +65.9620.3883  
Fax +65.6235.4818  
asia@maxcessintl.com