

MAXCESS®

MAGPOWR



TIDLAND

RELIABLE ROLL SUPPORT AND TORQUE TRANSFER

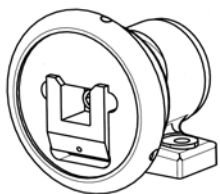
Tidland System Boschert Safety Chucks are a pre-engineered solution for roll support and torque transfer in unwind and rewind applications. With a variety of options depending upon the level of safety and automation required, these versatile chucks deliver reduced setup times, improved roll quality, and lower maintenance costs.



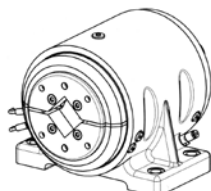
Manual Safety Chucks are available in fixed or sliding designs, with a unique self-closing feature to ensure safe performance even if the operator neglects to close the chuck after loading. An effective load bearing design ensures long life and smooth rotation. Optional replaceable socket inserts and adapters for MAGPOWR global brakes make these chucks suitable for virtually any application.

Automated Safety Chuck designs further improve safety and reduce setup time in new installations or as an easy, cost-effective retrofit for Manual Safety Chucks. Remote activation of chuck opening and closing insures that hands are removed from potential pinch points, while redundant mechanical safety locks further prevent opening while in operation or operating while open.

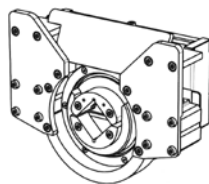
GENERAL SPECIFICATIONS



Manual C Series Chuck



P40 Automatic Chuck



A40 Automatic Chuck

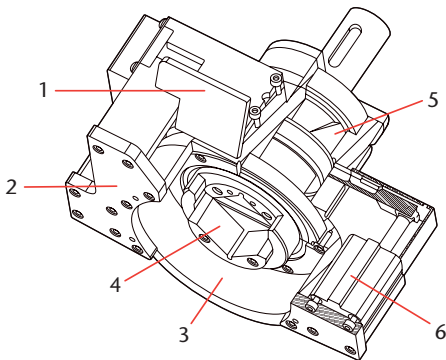
KEY FEATURES

- Economical solution for superior core shaft support and torque transmission
- Unique self-closing feature for increased safety
- Many sizes and options, suitable for paper, paperboard, film, foil, textiles, nonwovens & metals
- Durable construction provides reliable performance and long-lasting operation
- Tapered ramps guide shaft journal into support chamber for quick, easy loading and unloading

BOSCHERT SAFETY CHUCKS

MANUAL SAFETY CHUCKS: C & VT SERIES (FIXED AND SLIDING)

MODEL	SHAFT LENGTH		MAXIMUM ROLL WEIGHT PER PAIR		JOURNAL SQUARE				TORQUE		SPEED	BRAKE MODEL OPTIONS
	MM	INCH	KG	LBS	MINIMUM		MAXIMUM		NM	LB-FT	RPM	
					MM	INCH	MM	INCH				
Mini	32	1.26	150	330	14	0.551	20	0.787	40	29	1,350	
19-25	45	1.77	400	880	19	0.748	25	0.984	120	87	1,350	200, 250
22-30	114	4.5	800	1,760	22	0.866	30	1.181	180	130	1,350	200, 250, SB T305
30-40	114	4.5	1,600	3,530	30	1.181	40	1.574	350	250	1,350	250, SB T305, 380
40-50	114	4.5	2,800	6,170	40	1.574	50	1.968	1,100	800	1,350	305, SB T460
50-80	114	4.5	7,000	15,430	50	1.968	80	3.149	2,350	1,700	1,100	SB T460, 610
80-120			12,000	26,460	80	3.149	120	4.724	10,000	7,230	500	
120-180			22,000	48,500	120	4.724	180	7.086	20,000	14,468	500	
170-200			32,000	70,550	170	6.692	200	7.874	25,000	18,090	500	
170-230			64,000	141,090	170	6.692	230	9.055	41,000	29,660	500	



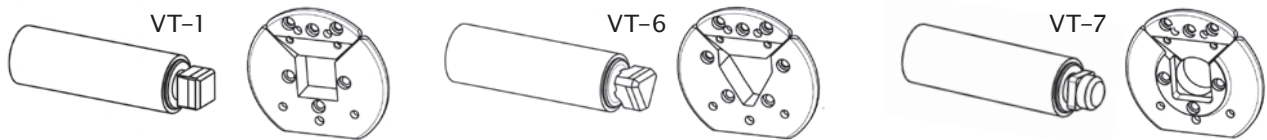
A SERIES AUTOMATIC SAFETY CHUCK

1. Axial alignment shaft guide
2. Lateral alignment shaft guide
3. Fail safe design prevents roll shaft from falling out of Safety Chuck
4. Replaceable inserts (upper and lower)
5. Redundant mechanical lock in case of electrical or pneumatic failure
6. Twin pneumatic cylinder system

AUTOMATIC SAFETY CHUCKS: A & P SERIES

MODEL NUMBER	SHAFT LENGTH		MAXIMUM ROLL WEIGHT PER PAIR		JOURNAL SQUARE		TORQUE		SPEED	BRAKE MODEL
	MM	INCH	KG	LBS	MM	INCH	NM	LB-FT	RPM	
A40 / P40	114	4.5	1,600	3,530	40	1.574	350	250	1,350	250, 305, 380
A50 / P50	114	4.5	2,800	6,170	50	1.968	1,100	800	1,350	305, 460
A80	114	4.5	7,000	15,430	80	3.149	2,350		900	460, 610

Common Inserts and Mating Shaft Journals



MAXCESS®



NORTH, CENTRAL AND SOUTH AMERICA

Tel +1.360.834.2345
 Fax +1.360.834.5865
 sales@maxcessintl.com
 www.maxcessintl.com

INDIA

Tel +91.22.27602633
 Fax +91.22.27602634
 india@maxcessintl.com
 www.maxcess.in

EUROPE, MIDDLE EAST AND AFRICA

Tel +49.6195.7002.0
 Fax +49.6195.7002.933
 sales@maxcess.eu
 www.maxcess.eu

JAPAN

Tel +81.43.421.1622
 Fax +81.43.421.2895
 japan@maxcessintl.com
 www.maxcess.jp

CHINA

Tel +86.756.881.9398
 Fax +86.756.881.9393
 info@maxcessintl.com.cn
 www.maxcessintl.com.cn

KOREA, TAIWAN AND SE ASIA

Tel +65.9620.3883
 Fax +65.6235.4818
 asia@maxcessintl.com