



A Maxcess  
International  
Company

# Equalizer - Model D2 Differential Air Shaft



*Optimum control over roll quality and setup time.*

**T**he D2 Differential Shaft combines multiple roll tension-equalization to slit rolls winding on the same shaft with manual core-stop placement. Easy to position, toolless, locked core-stops give your operators optimum control over roll quality and setup time. The unique features of this shaft hold rolls straight and true, reducing roll loping and offering positive mechanical locking to prevent lateral roll movement. This shaft is ideal for duplex or simplex winders with or without variable speed control. The Model D2 is designed for multiple roll tension equalization in 3" (76 mm) to 16" (406 mm) ID cores.

## SPECS

### Specifications

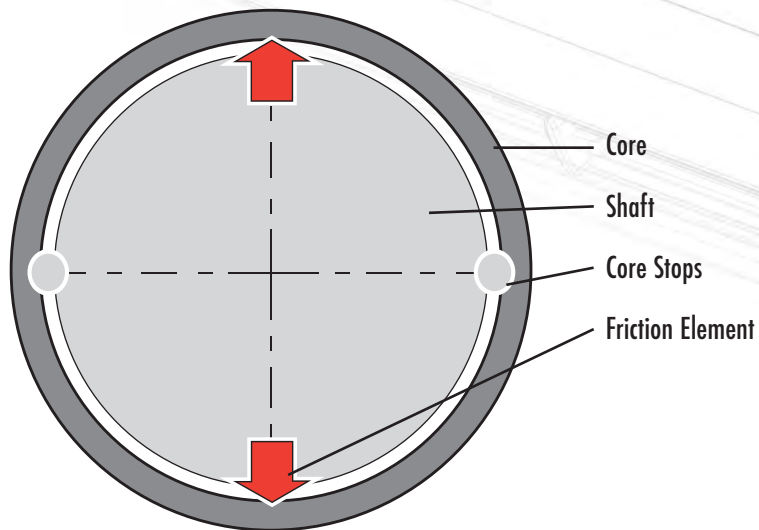
	Units	Core Diameter			
		3.00		6.00	
	inches	3.00		6.00	
	mm	76.2		152.4	
	Type	Drop-In	Cantilevered	Drop-In	Cantilevered
Minimum Slit Width	inches	0.88	0.88	1.00	1.00
	mm	22.4	22.4	25.4	25.4
Maximum Recommended Operating Speed	fpm	2300	1500	2300	1500
	mpm	701	457	701	457
	rpm	2196	1432	1255	819
Allowable Acceleration Rate (per sec.)	fpm	150	150	150	150
	mpm	46	46	46	46
	rpm	143	143	82	82
Tension Range Capability	pli	0.10 to 5.0		0.50 to 5.0	
	N/mm	0.02 to 0.90		0.09 to 0.90	
Operating Air Pressure Range	psi	5 - 60			
	kPa	35 to 414			
Shaft Balance Tolerance	N/A	Below upper limit of the VDI quality zone G16			
Body Material Options	N/A	Mild Steel - Alloy - Aluminum			

## KEY FEATURES

### Key Features:

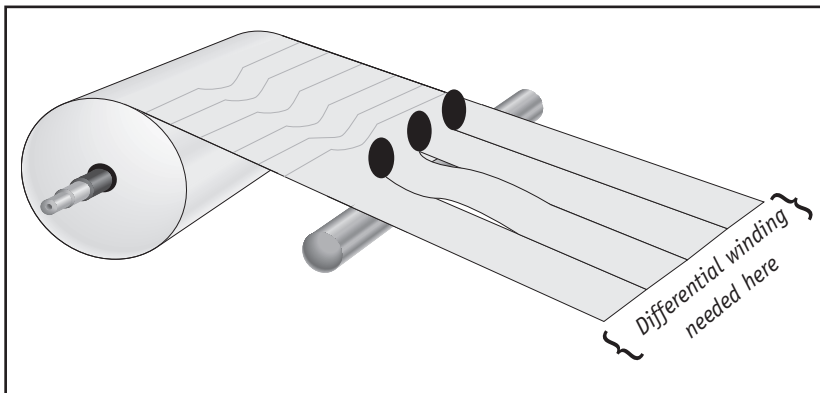
- Operator-positioned toolless core stops lock independently to prevent axial slip of cores and reduce setup time on repeated roll sets
- Independent core stop cartridges can be changed out easily to reduce down time for routine maintenance
- Pressure control valve provides optimal regulation of machine air pressure
- Replaceable polymer wear bars and tension segments enable tolerance fit and reduced friction against core ID
- 3/32" (2.3 mm) wide tension segments provide pneumatic, frictional torque control against core ID for equalized tension roll to roll
- Automatic inflation/deflation and core stop activation allow remote operation

## Equalizer – Model D2 Core-Slip System

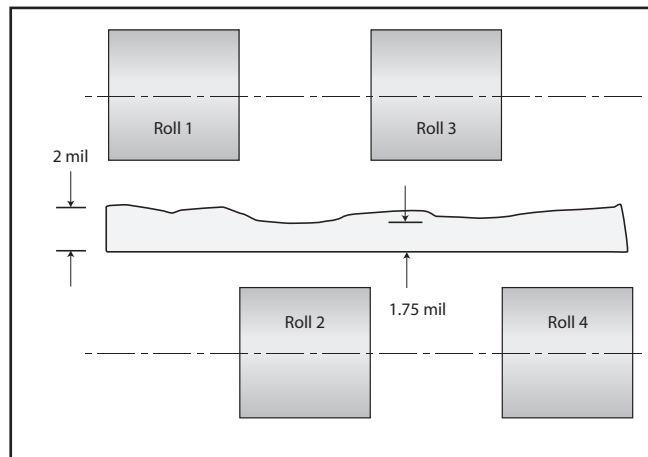


Tension segments and core stops

## Differential Winding Applications



Length Compensation (caused by baggy webs)



Cross-Web Caliber Variation (typical of coated, printed or laminated materials)

\*Equalizer - Model D2 differential shafts are available in North America, South America, and Australia only



**Tidland Corporation**  
2305 SE 8th Avenue  
Camas, WA 98607, USA  
Phone: 360-834-2345  
Fax: 360-834-5865  
E-mail: [tidland@tidland.com](mailto:tidland@tidland.com)  
Web: [www.tidland.com](http://www.tidland.com)

**Maxcess Europe**  
Fifestrasse 1, D-65779  
Kelkheim/Ts., Germany  
Phone: (49) 6195-7002-0  
Fax: (49) 6195-7002-933  
E-mail: [info@maxcess.eu](mailto:info@maxcess.eu)

**Maxcess Asia**  
300 Orchard Road No. 15-05  
Orchard Towers  
Singapore 238875  
Phone: (65) 6834-1998  
Fax: (65) 6835-4818  
E-mail: [asia@maxcessintl.com](mailto:asia@maxcessintl.com)



MAXCESS INTERNATIONAL COMPANIES



**GUIDING · INSPECTION**  
1-800-639-3433  
(405) 755-1600



**TENSION CONTROL**  
1-800-MAGPOWR  
(405) 755-1600



**SLITTING · WINDING**  
1-800-426-1000  
(360) 834-2345