

RAPTOR SERIES TORQUE CHUCK

MAXCESS®

MAGPOWR



TIDLAND

Raptor Series Shaftless Torque Chucks are easy to use and maintain, and help to eliminate core damage usually associated with shaftless winding.

Unlike many chucks on the market, the Torque chuck is designed for on-machine maintenance and toolless adapter changes in less than 5 seconds. Operators no longer have to remove the entire chuck from the machine for routine maintenance and core changes.

Corrugating, sheeting, paper finishing or laminating operators will find this translates to less downtime, less risk of injury and more productivity. This shaftless chuck delivers substantial torque output, durable construction, positive core centering, a core-friendly design and significant ergonomic benefits. Nothing grips stronger than a Raptor Series Torque Chuck.



GENERAL SPECIFICATIONS

NOMINAL CORE DIAMETER	MM	76.2	101.6	152.4
	INCHES	3.00	4.00	6.00
Maximum Roll Weight	KG	3181.8	4000	8727.3
	LBS	7000	8800	19200
Mounting Bolt Circle Diameter	MM	133.4	152.4	196.9
	INCH	5.25	6.00	7.75
Flange Width	MM	33	33	36.8
	INCH	1.30	1.30	1.45

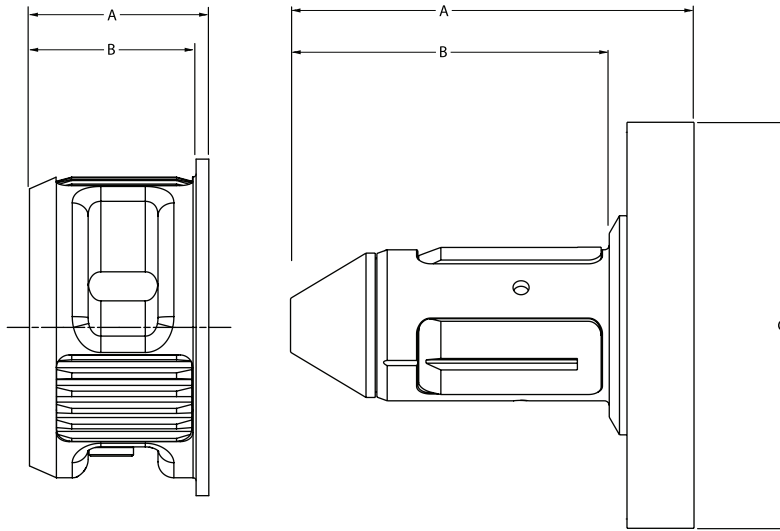
KEY FEATURES

- Wide-footprint lug
- Non-destructive gripping of cores
- Positive mechanical retraction of lugs
- Secondary, pneumatic retraction of lugs (backup)
- Pneumatic activation of lugs
- Non-slip grip of core
- Durable construction
- Improved core centering (concentric) expansion within 0.381 mm (.015 inch) TIR
- Continuous expansion throughout roll set

RAPTOR SERIES TORQUE CHUCK

NOMINAL CORE DIAMETER	BASE CHUCKS				3 INCH (76.2 MM) ADAPTERS						6 INCH (152.4 MM) ADAPTERS		
	MM	76.2	101.6	152.4	127	150.1	152.4	171.5	188.5	203.2	203.2	254	304.8
	INCHES	3.00	4.00	6.00	5.00	5.91	6.00	6.75	7.42	8.00	8.00	10.00	12.00
Maximum Allowable Torque*	NM	543.3	543.3	3599.8	543.3						3599.8		
	IN-LB	4800	4800	31800	4800						31800		
Collapsed Diameter	MM	74.7	100.1	150.9	125.5	148.6	150.9	169.9	186.9	201.7	201.7	252.5	303.3
	INCH	2.94	3.94	5.94	4.94	5.84	5.94	6.69	7.36	7.94	7.94	9.94	11.94
Expanded Diameter	MM	85.9	109	162.1	136.4	136.4	160.5	179.6	194.8	209.3	215.9	266.7	317.5
	INCH	3.38	4.29	6.38	5.37	5.37	6.32	7.07	7.67	8.24	8.50	10.5	12.50
Expanding Lug Length	MM	88.9			67.6						112.8		
	INCH	3.54			2.66						4.44		
Expanding Lug Width	MM	40.6	54.9	54.3	49.8						60.2		
	INCH	1.63	2.16	2.14	1.96						2.37		
Overall Length (A)	MM	198.1	198.1	186.2	89.7						136.4		
	INCH	7.80	7.80	7.33	3.53						5.37		
Core Penetration (B)	MM	157.5	165.1	134.6	83.3						127.0		
	INCH	6.26	6.04	5.23	3.28						5.00		
Flange Diameter (C)	MM	200.2	200.2	254	N/A						N/A		
	INCH	7.88	7.88	10	N/A						N/A		

*Maximum Allowable Torque Values assume two TR chucks, two brakes and good quality fiber cores. If only one brake is used (i.e. with a dummy chuck) then maximum torque values need to be reduced by 50%.



Adapter

Raptor Series Air Powered Lug Chuck

MAXCESS®



NORTH, CENTRAL AND SOUTH AMERICA

Tel +1.360.834.2345
Fax +1.360.834.5865
sales@maxcessintl.com
www.maxcessintl.com

INDIA

Tel +91.22.27602633
Fax +91.22.27602634
india@maxcessintl.com
www.maxcess.in

EUROPE, MIDDLE EAST AND AFRICA

Tel +49.6195.7002.0
Fax +49.6195.7002.933
sales@maxcess.eu
www.maxcess.eu

JAPAN

Tel +81.43.421.1622
Fax +81.43.421.2895
japan@maxcessintl.com
www.maxcess.jp

CHINA

Tel +86.756.881.9398
Fax +86.756.881.9393
info@maxcessintl.com.cn
www.maxcessintl.com.cn

KOREA, TAIWAN AND SE ASIA

Tel +65.9620.3883
Fax +65.6235.4818
asia@maxcessintl.com