



Introducing the D-MAX Enhanced web guide controller from Fife, a ground breaking update to the flagship D-MAX controller.

With the ability to control up to **three guides** from a single unit, the D-MAX Enhanced is an OEM friendly controller that builds on the power of the original D-MAX, a controller praised in the industry, with twice the processing power and features like “dual rail” power, **single, dual or triple drive** options and ISaGRAF-based state machine programmability.



The D-MAX Enhanced now offers power input reverse polarity protection, standard PTP-2 and PTP-1, Device Level Ring (DLR) connectivity, Add On Profile (AOP) for Rockwell Automation® PACs, any language support, daisy-chain connectivity via Ethernet/IP or Profinet and backward compatibility with existing D-MAX controllers. The newly enhanced D-MAX is a major upgrade for operators.

## GENERAL SPECIFICATIONS

### D-MAXE CONTROLLER

#### Operating Temperature

0° C to 60° C  
(32° F to 140° F)

#### Communication

Ethernet/IP, Ethernet  
Modbus TCP and Profinet

#### Weight:

1.0 kg (2.2 lbs)

#### Protection Class

IP54

#### Mounting Options

Integrated or Remote Mount

#### Control

50W max input, Drive: 200W  
max input at +24 VDC or  
400W max input at +48 VDC

#### Drives per Controller

1 (single), 2 (dual) or 3 (triple)

#### Max Motor Output

4 amps per drive

#### Sensor Inputs

4 total

#### Parallel Port Connectivity

Discrete 6 Inputs, 2 Outputs,  
Line Speed and Remote Guide  
Point Controller

#### OI-TS

#### Dimensions:

Wall mount:  
128 x 105 x 38 mm  
(5.04 x 4.134 x 1.496 inches)

#### Panel mount:

128 x 105 x 33 mm  
(5.04 x 4.134 x 1.30 inches)

#### Weight:

600 g (1.32 lbs) (OI-TS without  
mounting accessories)

#### Protection Class:

IP64

#### Display:

4.3" TFT touch-screen display,  
480x272 pixels

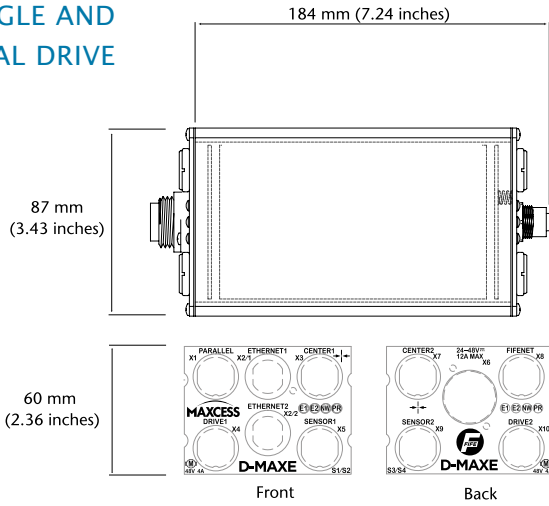
## KEY FEATURES

- Power input reverse polarity protection
- Separate power input for control and motor drive
- PTPv2 and PTPv1
- DLR (Device Level Ring)
- AOP for Rockwell Automation® PACs
- Any Language support
- Accessible from any PLC that communicates over ControlNet, DeviceNet, Ethernet Modbus TCP/IP, EtherNet/IP, Profibus, Profinet, CC Link, and CANopen (may incur additional cost)
- Controller available as single, dual or triple-drive
- Two Built-in Ethernet ports
- Backwards compatible with other Fife web guide controllers
- Durable construction for low maintenance and long-lasting reliability
- UL, cUL, and CE certified

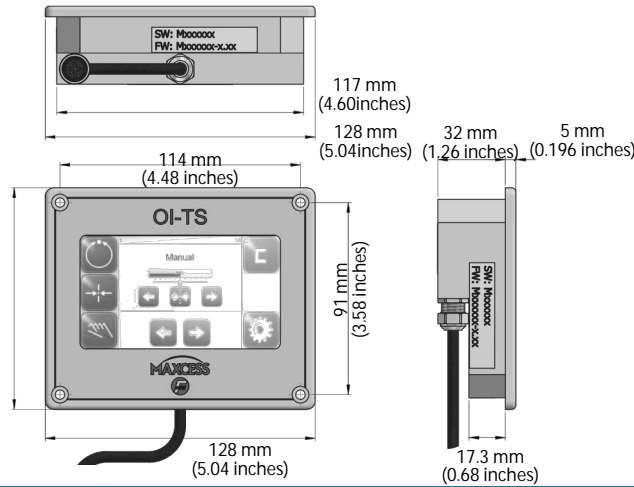
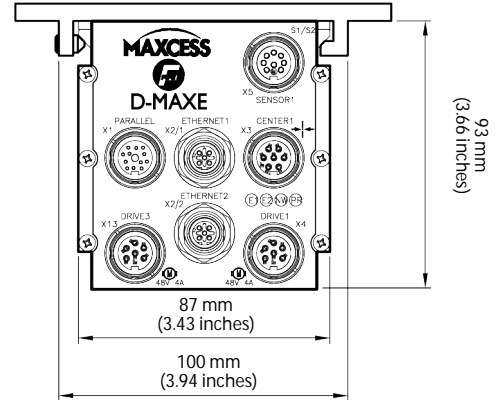
# D-MAX ENHANCED WEB GUIDING SYSTEM

## DIMENSIONS AND SYSTEM SELECTION

### SINGLE AND DUAL DRIVE



### TRIPLE DRIVE



CONTROLLER		MOUNTING TYPE		DESCRIPTION
		Integrated (I) or Remote (R)		
D-MAXE-1	I	R		Single-drive controller with Integrated pre-wired configuration or Remote Mounting
D-MAXE-2	I	R		Dual-drive controller with Integrated pre-wired configuration or Remote Mounting
D-MAXE-3	I	R		Triple-drive controller with Integrated pre-wired configuration or Remote Mounting
OPERATOR INTERFACE		MOUNTING TYPE		DESCRIPTION
		Bezel (I) or Wall (W)		
OI-TS	B	W		Touch screen Operator Interface for single or dual-drive configuration Bezel or Wall mount bracket
OI-N	B	W		Networking Operator Interface for single or dual-drive configuration. Bezel or Wall mount bracket complete with Ethernet switch for multi-guide operation and CompactCom port for Industrial Protocol (IP) connectivity



**NORTH, CENTRAL AND SOUTH AMERICA**  
 Tel +1.405.755.1600  
 Fax +1.405.755.8425  
 sales@maxcessintl.com  
 www.maxcessintl.com

**INDIA**  
 Tel +91.22.27602633  
 Fax +91.22.27602634  
 india@maxcessintl.com  
 www.maxcess.in

**EUROPE, MIDDLE EAST AND AFRICA**  
 Tel +49.6195.7002.0  
 Fax +49.6195.7002.933  
 sales@maxcess.eu  
 www.maxcess.eu

**JAPAN**  
 Tel +81.43.421.1622  
 Fax +81.43.421.2895  
 japan@maxcessintl.com  
 www.maxcess.jp

**CHINA**  
 Tel +86.756.881.9398  
 Fax +86.756.881.9393  
 info@maxcessintl.com.cn  
 www.maxcessintl.com.cn

**KOREA, TAIWAN AND SE ASIA**  
 asia@maxcessintl.com  
 maxcessintl.asia