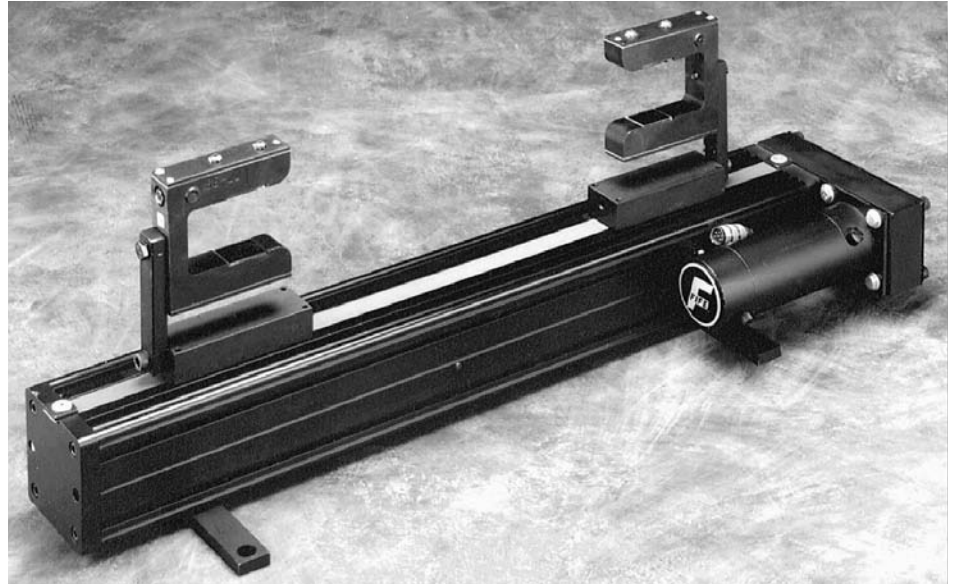


ELECTROMECHANICAL SENSOR POSITIONER

MAXCESS®

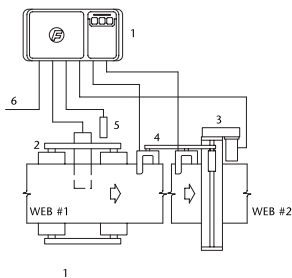


The Pro-Trac 200 is a heavy-duty positioner engineered for continuous, reliable operation. Common application uses for the Pro-Trac 200 include chasing systems, moving-sensor center guide systems, web width measurement systems, or simple sensor positioning.

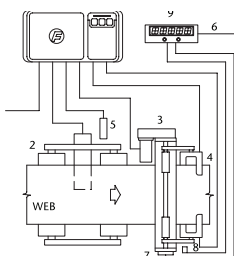


Adaptable to almost any application, the Pro-Trac 200 features a dust-tight design, with ball bearings in all moving parts for low friction and extended operating life. Optional self-tracking cable carriers eliminate the risk of damaged cables. Available primarily as an electromechanical positioner; the Pro-Trac 200 is also available in hydraulic and manual configurations.

GENERAL SPECIFICATIONS



Chasing Application



Moving-sensor center guide with optional web width measurement

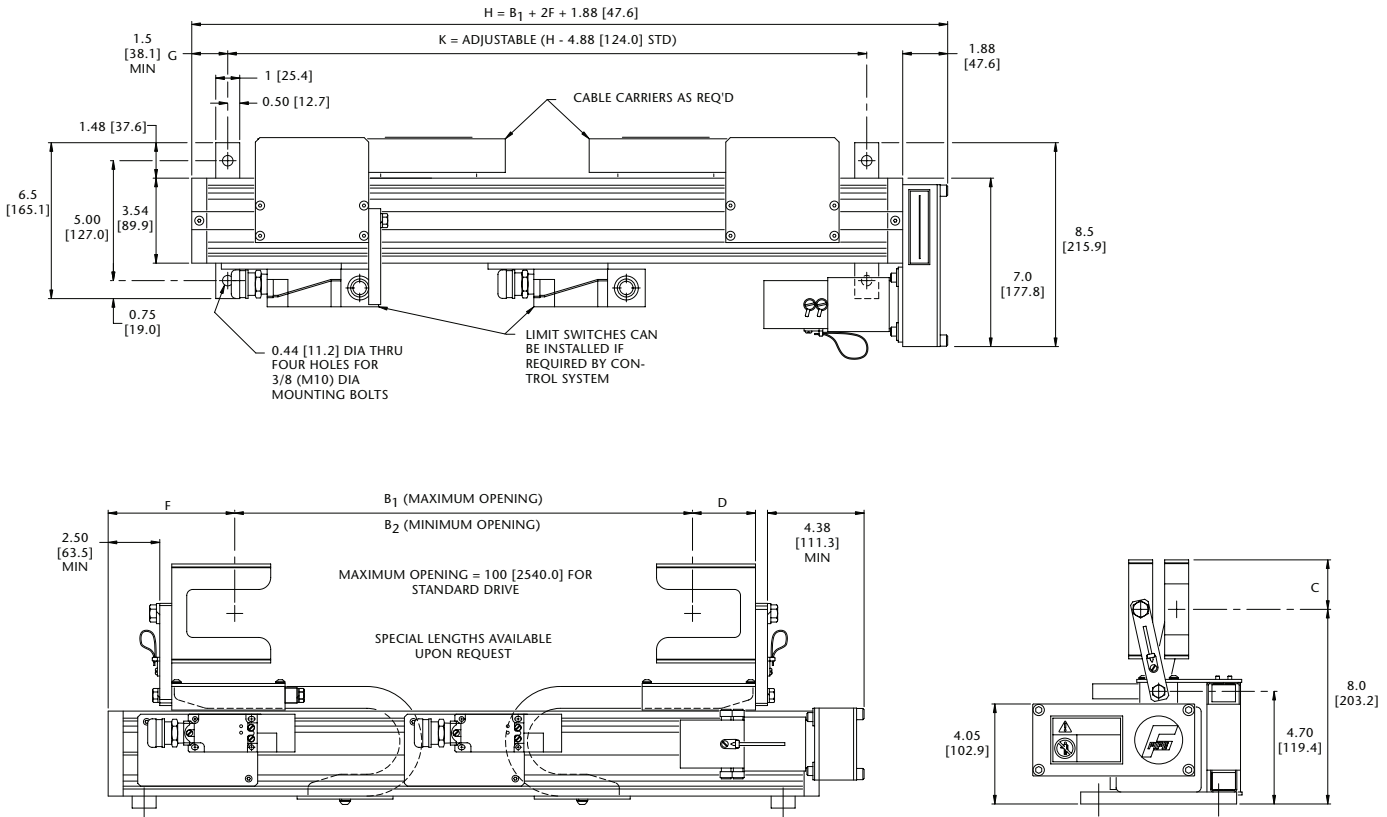
Typical Applications

1. Processor
2. Guide
3. Pro-Trac 200
4. Sensors
5. Servo-Center
6. AC Power In
7. Pulse Transmitter
8. Set Point Switch
9. Electronic Digital Display

KEY FEATURES

- Heavy-duty positioner designed for continuous operation
- Manual, hydraulic, or electromechanically powered with edge or center guide configurations
- Optional self-tracking cable carriers
- Virtually maintenance-free, dust-tight design
- Ball bearings in all moving parts provide extended operating life
- Motor drives available in D.C. servo motor, D.C. motor, or stepping motor, depending on application
- Positioner can be mounted in virtually any orientation
- Control legends available either in English or international symbols

ELECTROMECHANICAL SENSOR POSITIONER



NOTES:

- Dimensions shown in parenthesis are in millimeters
- Typical electromechanical configuration, other mounting types and actuators are available to match your application requirements
- If optional 51 mm (2 inch) standoff is used, "B" dimensions increase by 102 mm (4 inches)
- Standard sensor mounting bracket shown. Additional sensor mounting brackets are available to accommodate other Fife sensors
- Positioner can be mounted in any orientation

SENSOR	B2		C		D		F	
	INCH	MM	INCH	MM	INCH	MM	INCH	MM
SE-22	6.38	162	2.07	53	2.63	57	5.62	143
SE-23	4.88	124	2.06	52	3.38	86	6.38	162
SE-31	6.38	162	2.07	53	2.63	57	5.62	143



NORTH, CENTRAL AND SOUTH AMERICA

Tel +1.405.755.1600
 Fax +1.405.755.8425
 sales@maxcessintl.com
 www.maxcessintl.com

INDIA

Tel +91.22.27602633
 Fax +91.22.27602634
 india@maxcessintl.com
 www.maxcess.in

EUROPE, MIDDLE EAST AND AFRICA

Tel +49.6195.7002.0
 Fax +49.6195.7002.933
 sales@maxcess.eu
 www.maxcess.eu

JAPAN

Tel +81.43.421.1622
 Fax +81.43.421.2895
 japan@maxcessintl.com
 www.maxcess.jp

CHINA

Tel +86.756.881.9398
 Fax +86.756.881.9393
 info@maxcessintl.com.cn
 www.maxcessintl.com.cn

KOREA, TAIWAN AND SE ASIA

Tel +65.9620.3883
 Fax +65.6235.4818
 asia@maxcessintl.com