

POLARIS WEB GUIDE CONTROLLER

MAXCESS

MAGPOWR



TIDLAND

Now you can have better web guide control that's easier to use, with the same level of performance that you've grown accustomed to with Fife. Polaris is simple and easy to operate, with only eight keys and the ability to display four lines of text in a package that is flexible and easy to mount. Simply put, this is the easiest and most intuitive controller we've ever created. That's why we named it for the guiding star, Polaris. At Fife we're designing products that help you run faster, smarter and better.



GENERAL SPECIFICATIONS

Product certification: UL/cUL/CE

Protection class: IP-54

Weight: 1.6 kg (3.5 lbs)

Operating ambient temperature
0° to 50° C (32° to 122° F)

Power consumption: 130 VA

Input line frequency: 47-63 Hz

Maximum actuator output
39 W at 30 V

Parallel port
6 digital inputs, 2 open collector outputs

Universal input line voltage range
100 VAC -10% to
240 VAC +10%

Supply to accessories
+12 V \pm 5%, 400 mA, -12 V \pm 5%,
150 mA

Sensor input

2 independent Edge Sensors or 1 Line Sensor (SE-26A)
Max input \pm 20 mA, 0 to 10 mA (preferred)

Internal fuse: 3.15 A

Servo Center: Analog Inductive

Keypad layout

8 membrane keys

Auto, Manual, Servo-Center - Basic Functions

Sensor key to select Left Edge, Right Edge, Center Line, Line Guide

Setup key for Auto Setup, Transparency Setup (opacity), Guide Point Adjustment, System and Servo-Center Gain Adjustment

Jog Left (- key), Jog Right (+ key)

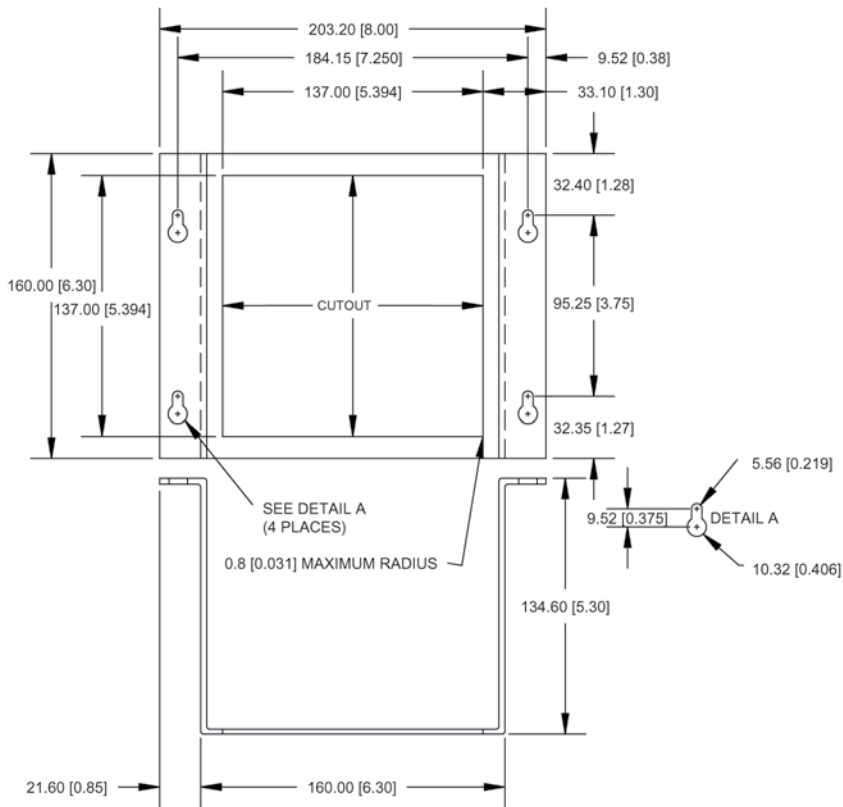
Enter key to complete function / setup or manual key to cancel

KEY FEATURES

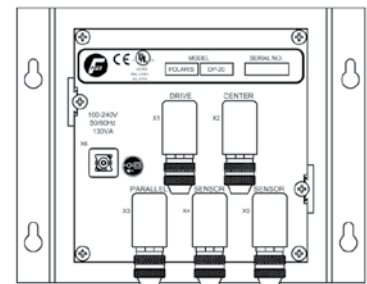
- User-friendly keypad - eliminates confusion for end users or internal operators
- LCD readout - ease of use for the operator, less potential downtime
- Intuitive menu layout - less confusion for operators / less potential downtime
- Auto setup - no guessing on optimal performance settings, quick setups
- Parallel input - easy discrete (hard-wired) connectivity to PLC
- High dynamic response - guaranteed Fife performance
- 100% backwards compatibility with CDP-01 and DP-01 - no cabling to change
- Small form factor is easily integrated into a machine panel (bezel mount)

POLARIS WEB GUIDE CONTROLLER

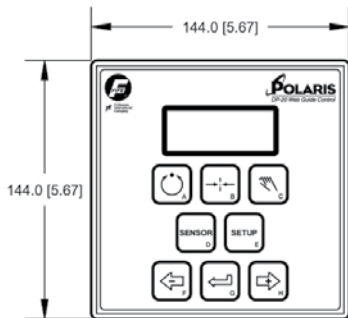
GENERAL APPLICATION



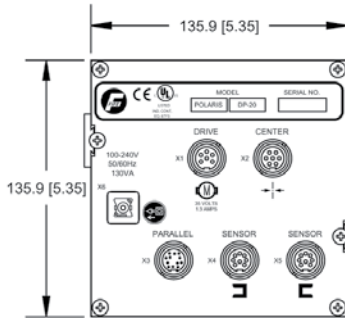
POLARIS WITH WALL MOUNT BRACKET
ALL DIMENSIONS SHOWN IN MILLIMETERS (INCHES)



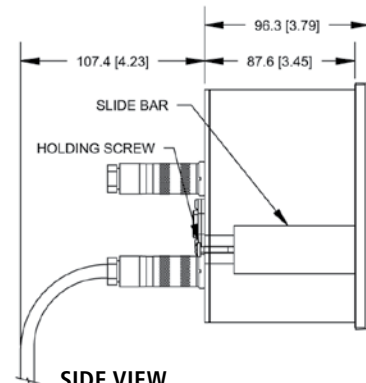
REAR VIEW BRACKET ASSEMBLY
(SHOWN WITH 90 DEGREE CONNECTORS)



FRONT VIEW



REAR VIEW
(SHOWN WITHOUT CONNECTORS)



SIDE VIEW
(SHOWN WITH CABLE MAX BEND RADIUS)



NORTH AMERICA
Toll Free 800.636.3433
Tel +1.405.755.1600
Fax +1.405.755.8425
sales@maxcessintl.com
www.maxcessintl.com

EUROPE
Tel +49.6195.7002.0
Fax +49.6195.7002.933
sales@maxcess.eu
www.maxcess.eu

CHINA
Tel +86.756.881.9398
Fax +86.756.881.9393
info@maxcessintl.com.cn
www.maxcessintl.com.cn

**KOREA, TAIWAN
AND SE ASIA**
Tel +65.9620.3883
Fax +65.6235.4818
asia@maxcessintl.com

SOUTH AMERICA
Tel +55.11.3959.0990
Fax +55.11.3856.0990
southamerica@maxcessintl.com
www.maxcessintl.com.br

INDIA
Tel +91.22.27602633
Fax +91.22.27602634
india@maxcessintl.com
www.maxcess.in

JAPAN
Tel +81.43.421.1622
Fax +81.43.421.2895
japan@maxcessintl.com
www.maxcess.jp