



INSTRUCTION MANUAL DFP-2 DANCER / FOLLOWER ARM POSITION SENSORS

All of the information herein is the exclusive proprietary property of Maxcess International, and is disclosed with the understanding that it will be retained in confidence and will neither be duplicated nor copied in whole or in part nor be used for any purpose other than for which disclosed.

Copyright 2006, all rights reserved.

Periodically there will be updates to this manual. The latest version is available at www.magpowr.com or by calling 1-800-MAGPOWR (624-7697).

The 1 kohm potentiometer is a high quality pot which allows for 360° rotation, and offers essentially infinite resolution.

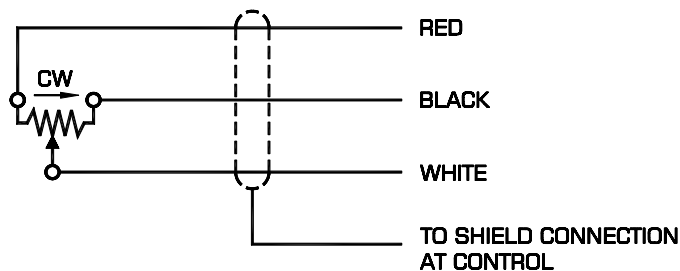
A servo type flexible coupling is provided for shaft-to-shaft connections. It allows for angular misalignment up to 5° and offset misalignment up to .010 in. (.25 mm).

A pulley may be mounted directly to the .25 in. shaft. The shaft overhung load capacity is 10 lbs (4.5 kg) maximum.

SPECIFICATIONS

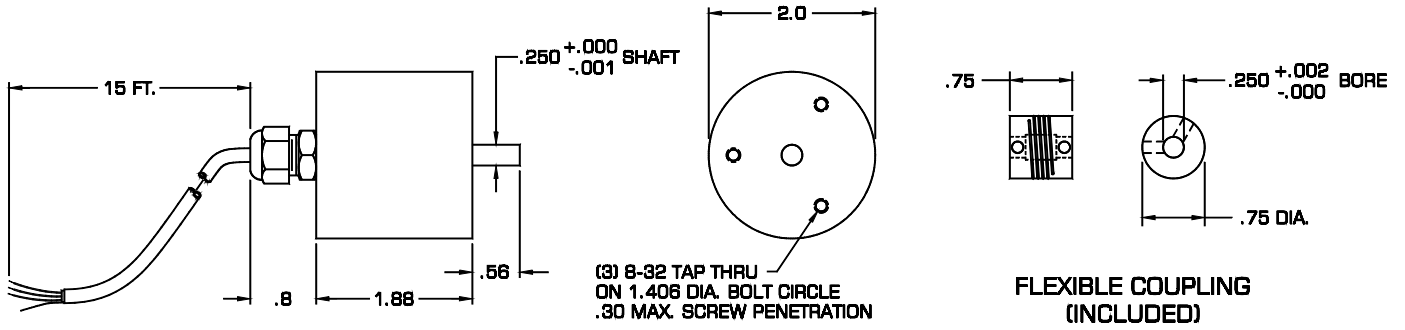
Resistance: 1 kohm
Wattage: 0.25 w
Climate class: 3K3

ELECTRICAL CONNECTIONS



To find the electrical center point of pot rotation, use a digital multimeter type ohm meter to measure from the white wire (wiper), to the red or black wire. Turn the potentiometer shaft until the meter reads 500Ω.

DIMENSIONS



MAINTENANCE

These units require no maintenance and are not repairable.



MAXCESS INTERNATIONAL COMPANIES



GUIDING · INSPECTION



TENSION CONTROL



SLITTING · WINDING