



A Maxcess  
International  
Company

# Tidland Slitter Model SP-500



KEY  
FEATURES

## Fully automatic slitter for all general converting applications.

Address the challenge of changing market demand with the latest slitting technology to increase the speed and accuracy of knife positioning, minimize the frequency and complexity of maintenance, and realize a quick return on investment.

The SP-500 represents the best mix of new technology to improve the profitability of your operation by addressing positioning speed, accuracy, and consistency. Because it's more precise, you're more likely than ever to see unmatched productivity and safety.

### Key Features:

- Highly accurate, consistent operation
- Increased operator safety by reducing contact with blades
- Improve blade life, delivering higher quality edges and noticeable dust reduction
- Fewer moving parts to reduce the frequency and complexity of maintenance
- Easy-to-use interface via a PC or existing HMI
- The most effective mix of new technology and the proven Performance Series Knifeholder

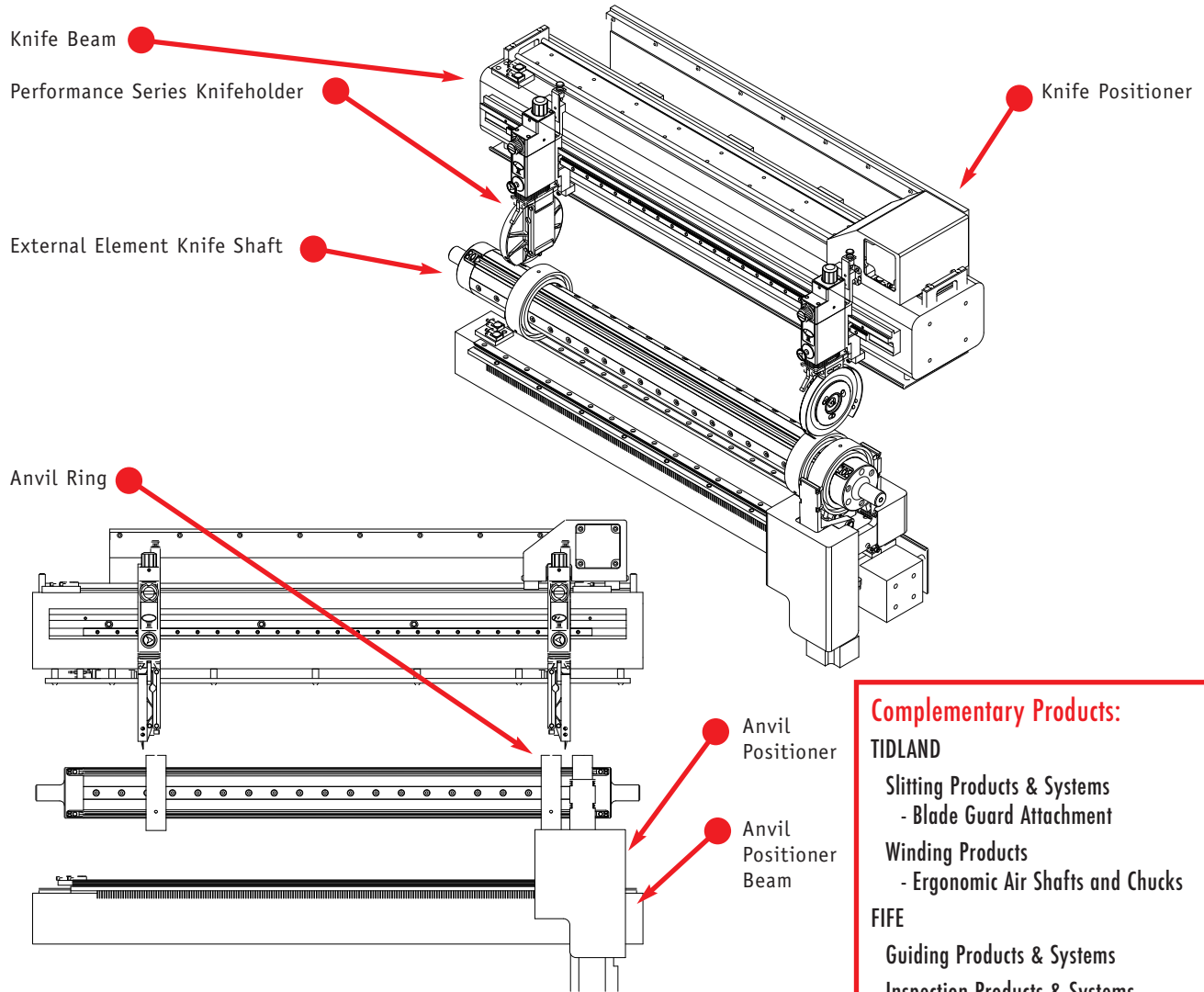
## SPECS

### Specifications

	Class II Standard	Class III Standard
<b>Minimum Slit Width</b>	2" (50.8 mm)	3" (76.2 mm)
<b>Maximum Designated Speed*</b>	5,500 fpm (1,676 mpm)	10,000 fpm (3,048 mpm)
<b>Pneumatic Requirement**</b>	80-100 psi	80-100 psi
<b>Electrical Requirement</b>	20 Amp, 220 VAC	20 Amp, 220 VAC
<b>Knife Positioning Speed</b>	10 knives in approx. 2 minutes	10 knives in approx. 2 minutes
<b>Knife Positioning Accuracy</b>	+/-0.008" (0.2 mm)	+/-0.008" (0.2 mm)

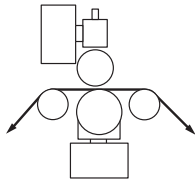
\*Dependent on material and application. \*\* Instrument grade air, nominal.

## Nomenclature

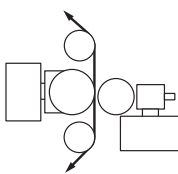


### Slitter Configurations

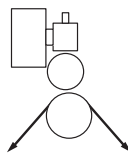
Tangential Shear Slitting  
Horizontal Web Path



Tangential Shear Slitting  
Vertical Web Path



Wrap Shear Slitting  
Crush Slitting Any Position



### Complementary Products:

#### TIDLAND

Slitting Products & Systems  
- Blade Guard Attachment

Winding Products  
- Ergonomic Air Shafts and Chucks

#### FIFE

Guiding Products & Systems  
Inspection Products & Systems

#### MAGPOWR

Tension Control Products  
Torque Control Products

The Tidland Slitter can be mounted at any angle for vertical or horizontal web paths and is easy to adapt to center wind, center surface or bi-wind machines.



A Maxcess International Company

#### Tidland Corporation

2305 SE 8th Avenue  
Camas, WA 98607, USA  
Phone: 360-834-2345  
Fax: 360-834-5865  
E-mail: tidland@tidland.com  
Web: www.tidland.com

#### Maxcess Europe

Fifestrasse 1, D-65779  
Kelkheim/Ts., Germany  
Phone: (49) 6195-7002-433  
Fax: (49) 6195-7002-933  
E-mail: info@maxcess.eu

#### Maxcess Asia

300 Orchard Road No. 15-05  
Orchard Towers  
Singapore 238875  
Phone: (65) 6834-1998  
Fax: (65) 6835-4818  
E-mail: asia@maxcessintl.com



MAXCESS INTERNATIONAL COMPANIES



GUIDING · INSPECTION  
1-800-639-3433  
(405) 755-1600



TENSION CONTROL  
1-800-MAGPOWR  
(405) 755-1600



SLITTING · WINDING  
1-800-426-1000  
(360) 834-2345