

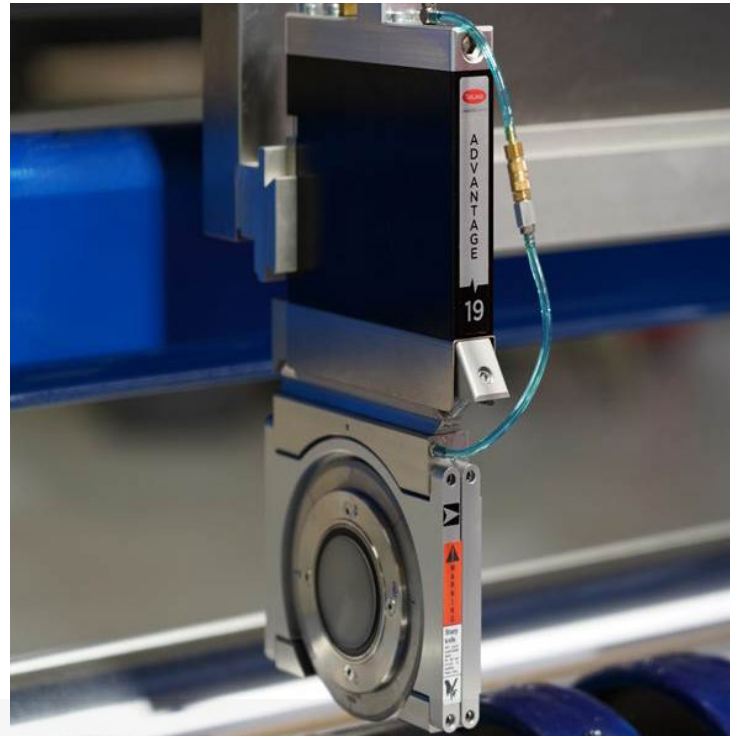


A MAXCESS BRAND

### Take advantage of quality rolls with narrow slit widths

Tidland's Advantage Series 19 knifeholder provides a minimum slit width of only 19.5 mm (0.768 inches), while delivering high slit quality and extended blade life. A 180° reversible blade cartridge allows you to use both sides of the lower anvil knife ring, extending blade life and reducing operating costs.

Take advantage of easy setups with a 2.8 mm side stroke distance and easy blade cartridge changes with a simple, set screw retention and quick-disconnect air fittings. The knifeholder body remains in position during the cartridge change, significantly reducing downtime, while blade changes are safe and fast with a snap-on blade locking safety guard



#### Key Features & General Specifications



- 180° reversible blade cartridge, extending blade life
- Fast blade cartridge removal
- Class I knifeholder and guidebar compatible
- Backward compatible to W19 knifeholder systems
- Precision depth control adjustment for blade overlap
- Optional removable blade change safety guard
- Optional slider-valve actuator switch and quick-disconnect air fittings for easy operation
- Robust construction for harsh environments

**Minimum Slit Width:**  
19.5 mm (0.768 inches)

**Maximum Web Speed:**  
1,067 m/min (3,500 ft/min)

**Horizontal Stroke Distance:**  
2.8 mm (0.11 inches)

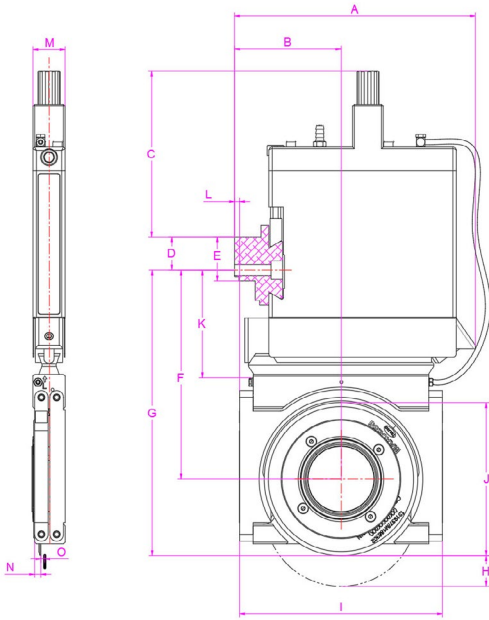
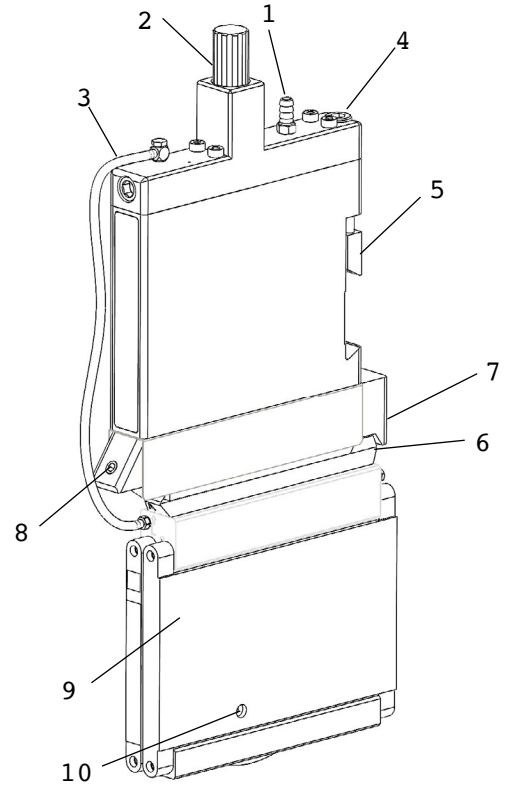
**Vertical Stroke Difference:**  
19.5 mm (0.768 inches)

**Blade Diameter:**  
90 mm (3.5 inches)

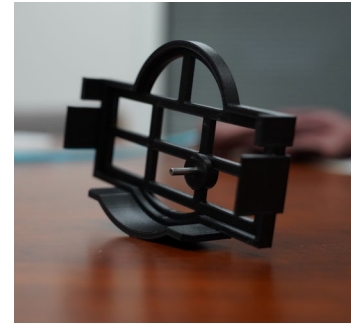
**Operating Air Pressure:**  
2.7 to 6.2 bar (40 to 90 psi)

## ADVANTAGE SERIES OVERVIEW

1. Air input
2. Depth control knob
3. Swing cartridge air hose
4. Brake screw
5. Brake gib
6. Cant key
7. Control body dovetail block
8. Cartridge lock set screw
9. Removable/reversible blade cartridge
10. Hole for knife blade lock



Blade change safety guard  
(PN 270043481)



## DIMENSIONS

Size	Web Path	A	B	C	D	E	F	G	H	I	J	K	L	M	N	O
mm	A/B	141.3	62.5	97.5	19.5	25.9	122.9	167.9	18	119	90	63.3	2.9	18.9	3.7	2.3
Inches	A/B	5.56	2.46	3.84	0.77	1.02	4.84	6.61	0.71	4.69	3.54	2.49	0.11	0.74	0.15	0.09

### GLOBAL HEADQUARTERS & AMERICAS

P +1-844-MAXCESS  
F +1-405-755-8425  
sales@maxcessintl.com

[maxcessintl.com](http://maxcessintl.com)

### EUROPE & MIDDLE EAST

P +49-6195-7002-0  
F +49-6195-7002-933  
sales@maxcess.eu

[maxcess.eu](http://maxcess.eu)

### ASIA PACIFIC

P +86-756-881-9398  
F +86-756-881-9393  
info@maxcessintl.com.cn

[maxcessintl.com.cn](http://maxcessintl.com.cn)



### RELATED PRODUCTS ASK US ABOUT:

Cygnus Tension  
Controller

D-MAX Enhanced Web  
Guiding Controller

