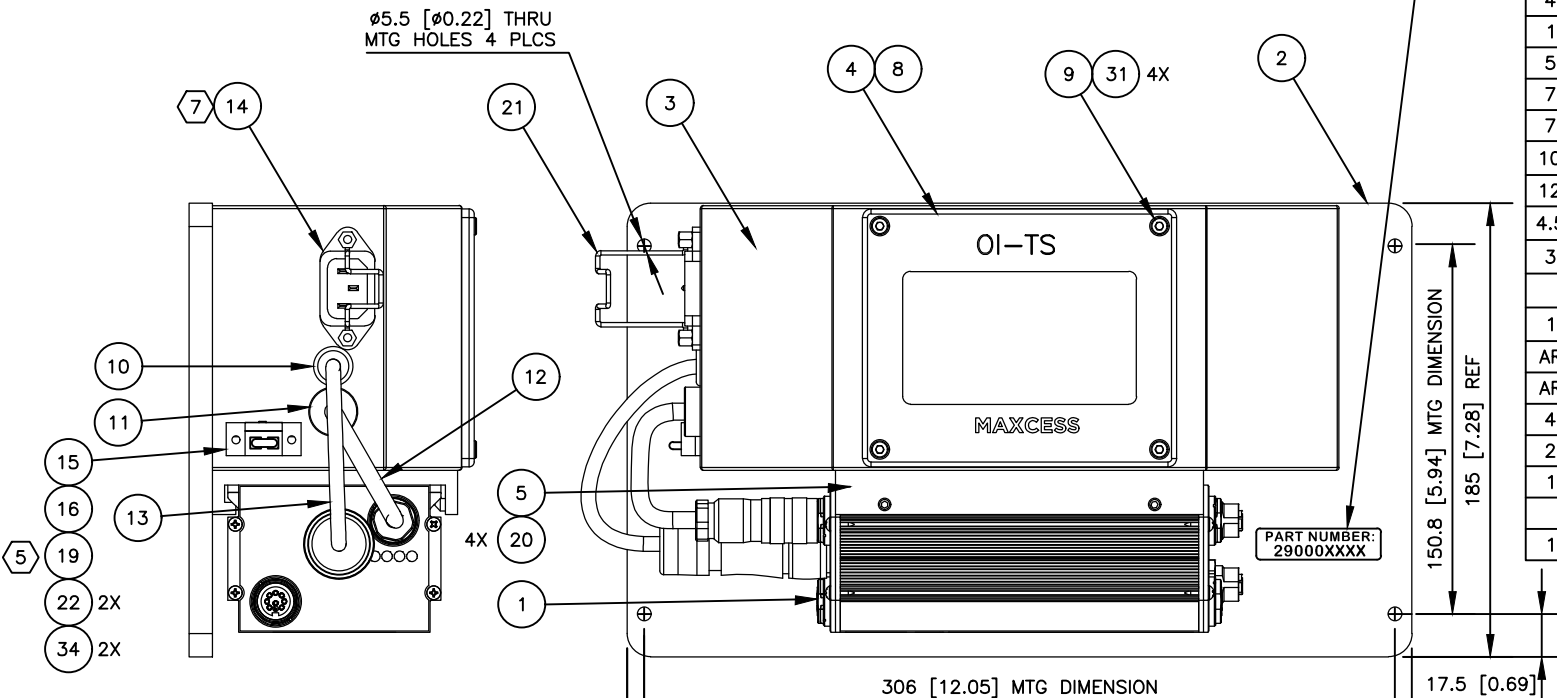
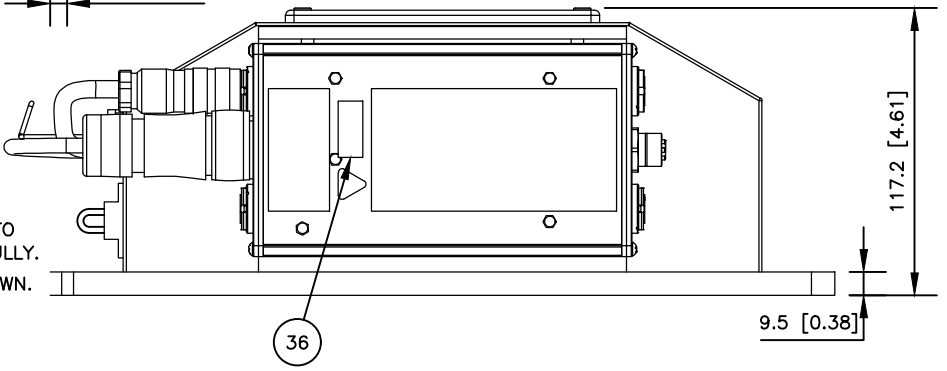


ASSEMBLY P/N	DESCRIPTION	ISAGRAF REQUIRED	PROGRAM NO.	LABEL P/N (ITEM 35)
290002901	STANDARD PROGRAM	NO	110000-00X	290005662
290002904	NON-STANDARD PROGRAM	NO	SEE SALES ORDER	290005663
290004248	NON-STANDARD PROGRAM	NO	101803-00X	290006541
290005410	NON-STANDARD PROGRAM	NO	110001-00X	290006468
290006424	NON-STANDARD PROGRAM	YES	SEE SALES ORDER	290006428
290014534	NON-STANDARD PROGRAM	NO	101180-00X	290014535

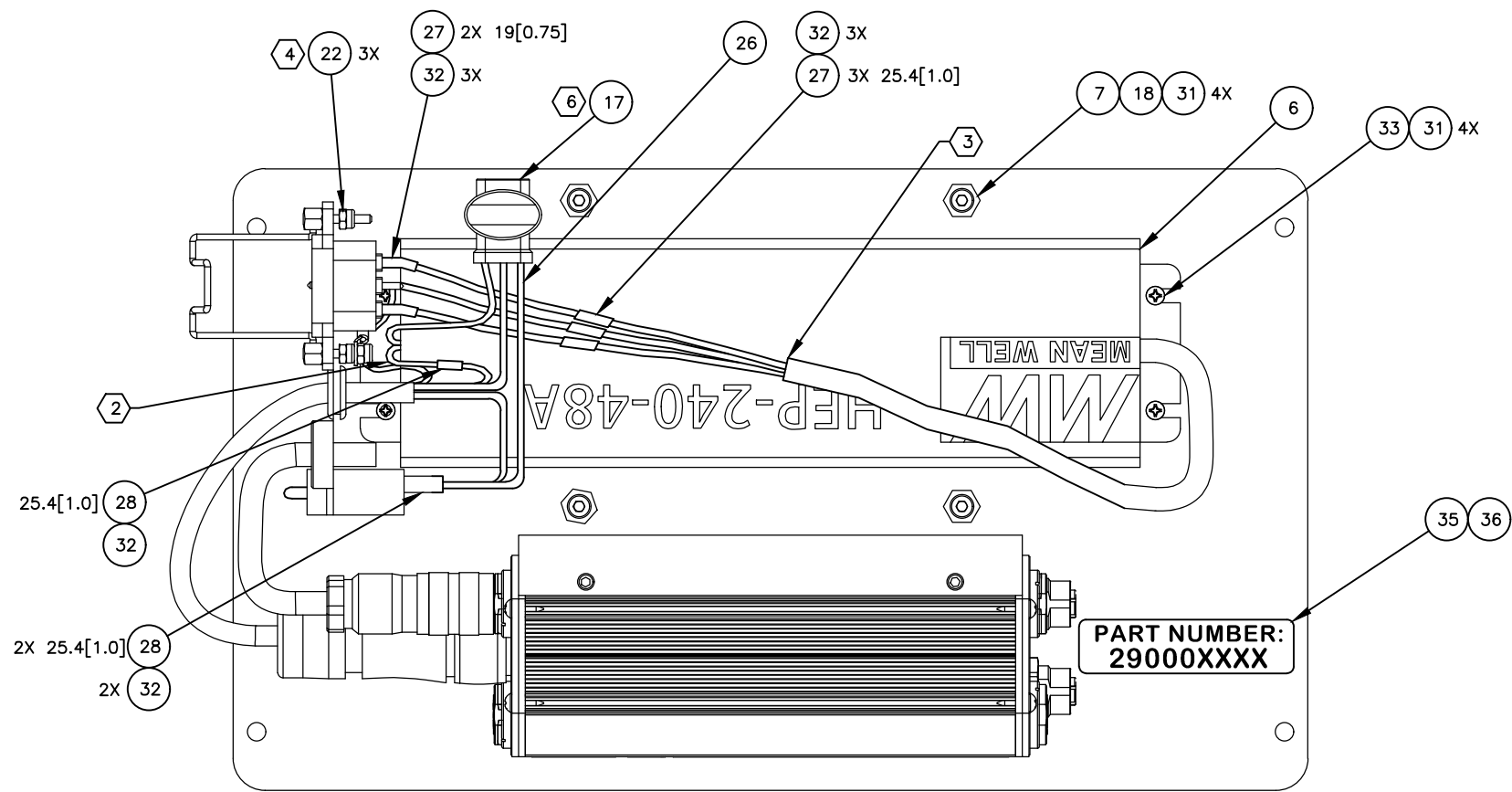
NO. REQD							LIST OF MATERIAL			
ITEM No.	UOM	PART No.					DESCRIPTION	REMARKS		
1	EA	29L219371011					D-MAXE-1 WEB GUIDE CONTROLLER, SINGLE DRIVE			
1	EA	290003004					BASE PLATE	DWG 223497		
1	EA	290003005					SHROUD	DWG 223490		
1	EA	52M383375					OI-TS TOUCHSCREEN OPERATOR INTERFACE			
1	EA	29L213996001					CONTROLLER WALL MOUNT KIT, COMPACT			
1	EA	290003006					POWER SUPPLY, 5A / 240W			
4	EA	290003012					STANDOFF, F-F, ALUM, 3/8" HEX X 3.93" LG	DWG 223498		
1	EA	52M383399					GASKET, OI-TS			
4	EA	29L93288004					SOC HD CAP SCR, LOW HD, M4 X 0.7 THD X 12mm			
1	EA	52M330173					GROMMET, D-MAXE / OI-TS COMMUNICATION			
1	EA	290003014					GROMMET, D-MAXE POWER	DWG 94225		
1	EA	290003016					CABLE ASSY, D-MAXE TO OI-TS, 18 INCH LG	DWG 223697		
1	EA	290003013					CABLE ASSY, D-MAXE POWER SUPPLY, 18 INCH LG	DWG 223634		
1	EA	290003008					RECEPTACLE ASSY, POWER	DWG 94226		
1	EA	290003009					TERMINAL BLOCK PLUG	DWG 94228		
1	EA	290003010					CONNECTOR, PANEL MOUNT	DWG 94228		
1	EA	290003011					CONNECTOR	DWG 94227		
4	EA	29L91067006					HEX SOC FLT HD SCR, M4 X 0.7 THD X 20mm LG			
1	EA	290003144					JUMPER	DWG 223711		
4	EA	29L27608002					LOCKNUT, NYLON INSERT, M4			
1	EA	29L90951001					POWER CORD RETAINER			
5	EA	29L27608001					LOCKNUT, NYLON INSERT, M3			
7	IN	29L91450003					WIRE, 18 AWG, STRND, BROWN			
7	IN	29L91450010					WIRE, 18 AWG, STRND, BLUE			
10	IN	29L91450189					WIRE, 18 AWG, STRND, GREEN/YELLOW			
12	IN	29L13649007					WIRE, 14 AWG, STRND, BLACK			
4.5	IN	29L12331009					HEAT SHRINK, 1/4 IN , BLK			
3	IN	29L12331014					HEAT SHRINK, 3/8 IN, BLK			
							29			
1	EA	29L12316002					TERMINAL, RING, 18-22AWG, #4 STUD			
AR	OZ	29L6A541					LOCTITE 222			
AR	EA	290003220					SOLDER, LEAD FREE, 0.031 IN DIA	DWG 94212		
4	EA	29L28118002					SCREW, SCKT CAP, BH, M4 X 10mm			
2	EA	29L27610005					SCREW, PH, CH HD, M3 X 12mm			
1	EA	SEE TABLE					LABEL, PART NUMBER	DWG 224979		
1	EA	29L92322001					ISAGRAF STICKER			
1	EA	29LCD-MANUAL					CD MANUAL			



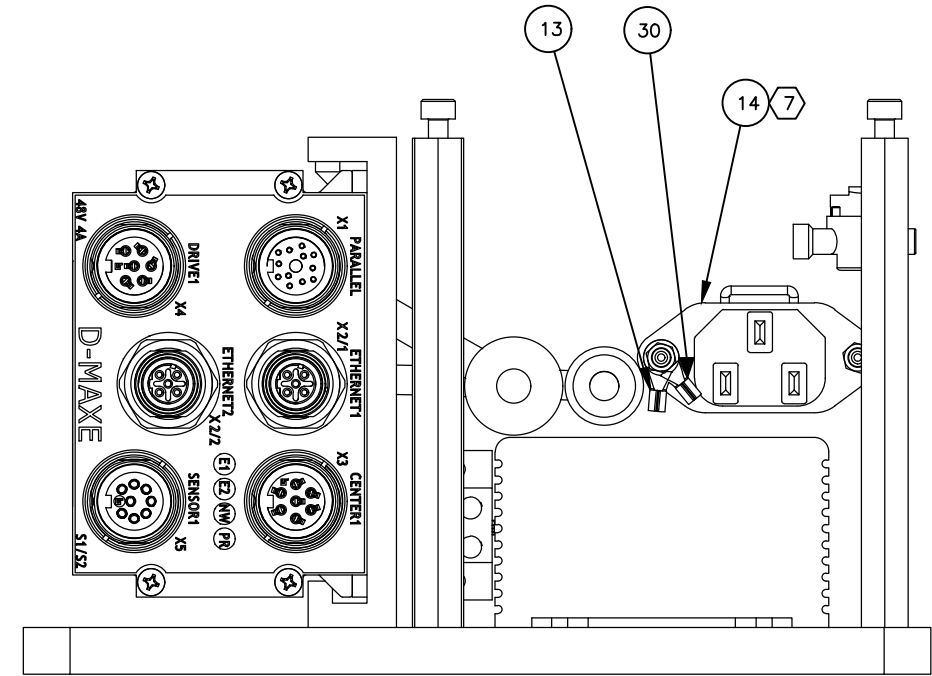
- NOTES:
- ASSEMBLY MUST BE RoHS COMPLIANT PER DRAWING 223864.
 - STRIP DC POWER CABLE JACKET OF POWER SUPPLY (ITEM 6) BACK FULLY.
 - STRIP AC POWER CABLE JACKET OF POWER SUPPLY (ITEM 6) BACK 127[5].
 - ENSURE PAINT IS REMOVED FROM INSIDE SHROUD UNDER LOCK NUTS (ITEM 22).
 - INSTALL JUMPER (ITEM 19) INTO PLUG (ITEM 15). INSTALL PLUG INTO RECEPTACLE (ITEM 16).
 - ENSURE WIRES ARE CUT FLUSH BEFORE PLACING INTO SPLICE CONNECTOR (ITEM 17) AND COMPRESSING FULLY.
 - ORIENT POWER RECEPTACLE ASSY (ITEM 14) AS SHOWN.



CDP-01 DROP-IN REPLT, DUAL DRV		223712	REVISION		BY DATE	APVD
CDP-01 DROP-IN REPLT, TRIPLE DRV		224332	BY	DATE		
DRAWING REFERENCE		NUMBER	DRAWN	09/16/16	222 WEST MEMORIAL ROAD OKLAHOMA CITY, OK 73114 TEL: 405.755.1600 FAX: 405.755.8425 WWW.MAXCESSINTL.COM	
UNLESS OTHERWISE SPECIFIED		This drawing is the property of FIFE CORPORATION. It is loaned with the understanding that it may not be reproduced nor may the information contained herein be used for the making of drawings or for manufacturing purposes without the written consent of FIFE CORPORATION.		TITLE		
GENERAL TOLERANCES: ISO 2768-mk		DE-BURR ALL EDGES 0.5 [0.020] MAX		FIFE OI-TS / D-MAXE-1 ASSEMBLY CDP-01 DROP-IN REPLACEMENT ASSEMBLY / INSTALLATION		
GEOMETRICAL SYMBOLS: ISO 1101		LOCATION		THIRD ANGLE PROJECTION		
SURFACES: ISO 1302		OK		DIMENSIONS ARE SHOWN IN mm [INCHES] UNLESS OTHERWISE NOTED		
STANDARD SHOP PRACTICES AND STANDARD SHOP TOLERANCES PER DRAWING 201724		SCALE		SIZE		DRAWING NO.
PART NUMBER		1:1		A2		223505
SEE P/N TABLE		DRAWING NO.		SHEET NO.		REV
		223505		1 OF 2		H

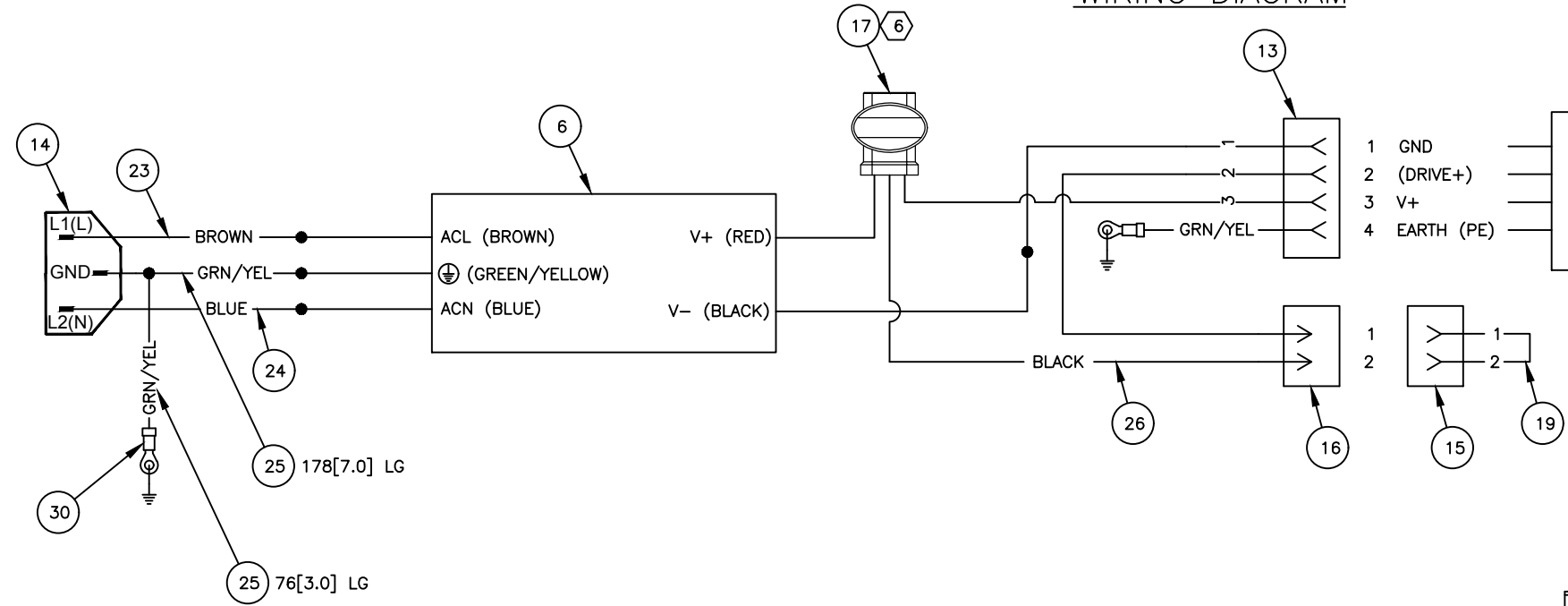


SHROUD AND OI-TS REMOVED FOR CLARITY



SHROUD, WIRING, AND OI-TS REMOVED FOR CLARITY

WIRING DIAGRAM



E	ADDED P/N 290004248 ECR #86238	PO 03/07/18	MP 03/07/18
D	ADDED P/Ns 290005410/290006424 ADDED ITEMS 36 AND 37 REVISED TABLE ECR #86203	PO 02/28/18	MP 02/28/18
C	ADDED ITEM 35 P/N LABEL IDENTIFICATION ECR #85883	RR 11/22/17	MP 11/22/17

SYM	REVISION	BY	DATE	APVD
-----	----------	----	------	------

BY	DATE
DRAWN LZ	09/16/16
CHECKED	
APPROVED	

MAXCESS
222 WEST MEMORIAL ROAD
OKLAHOMA CITY, OK 73114
TEL: 405.755.1600
FAX: 405.755.8425
WWW.MAXCESSINTL.COM

TITLE
FIFE
OI-TS / D-MAXE-1 ASSEMBLY
CDP-01 DROP-IN REPLACEMENT
ASSEMBLY / INSTALLATION

H	ADDED ASSY P/N 290014534 ECR #89118	PO 05/17/21	MG 06/17/21
G	P/N 290005410 SW WAS 110003-00X ECR #89073	IA 04/16/21	BC 04/16/21
F	ITEM 1 P/N WAS 29L219371001 ECR #87355	RR 01/22/19	PO 01/22/19

DRAWING REFERENCE		NUMBER
UNLESS OTHERWISE SPECIFIED	This drawing is the property of FIFE CORPORATION. It is loaned with the understanding that it may not be reproduced nor may the information contained herein be used for the making of drawings or for manufacturing purposes without the written consent of FIFE CORPORATION.	
GENERAL TOLERANCES:	ISO 2768-mk	
GEOMETRICAL SYMBOLS:	ISO 1101	
SURFACES:	ISO 1302	
STANDARD SHOP PRACTICES AND STANDARD SHOP TOLERANCES PER DRAWING 201724	DE-BURR ALL EDGES 0.5 [0.020] MAX	LOCATION OK
PART NUMBER SEE P/N TABLE		

THIRD ANGLE PROJECTION	SCALE 1:1	SIZE A2	DRAWING NO. 223505	SHEET NO. 1 OF 2	REV H
------------------------	--------------	------------	-----------------------	---------------------	----------