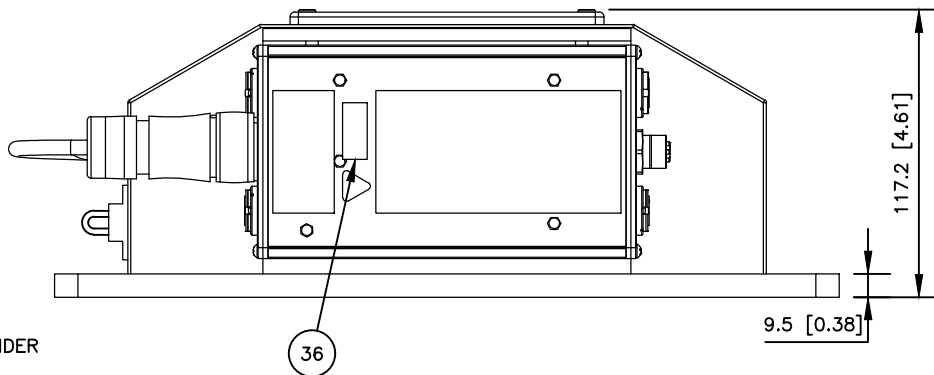
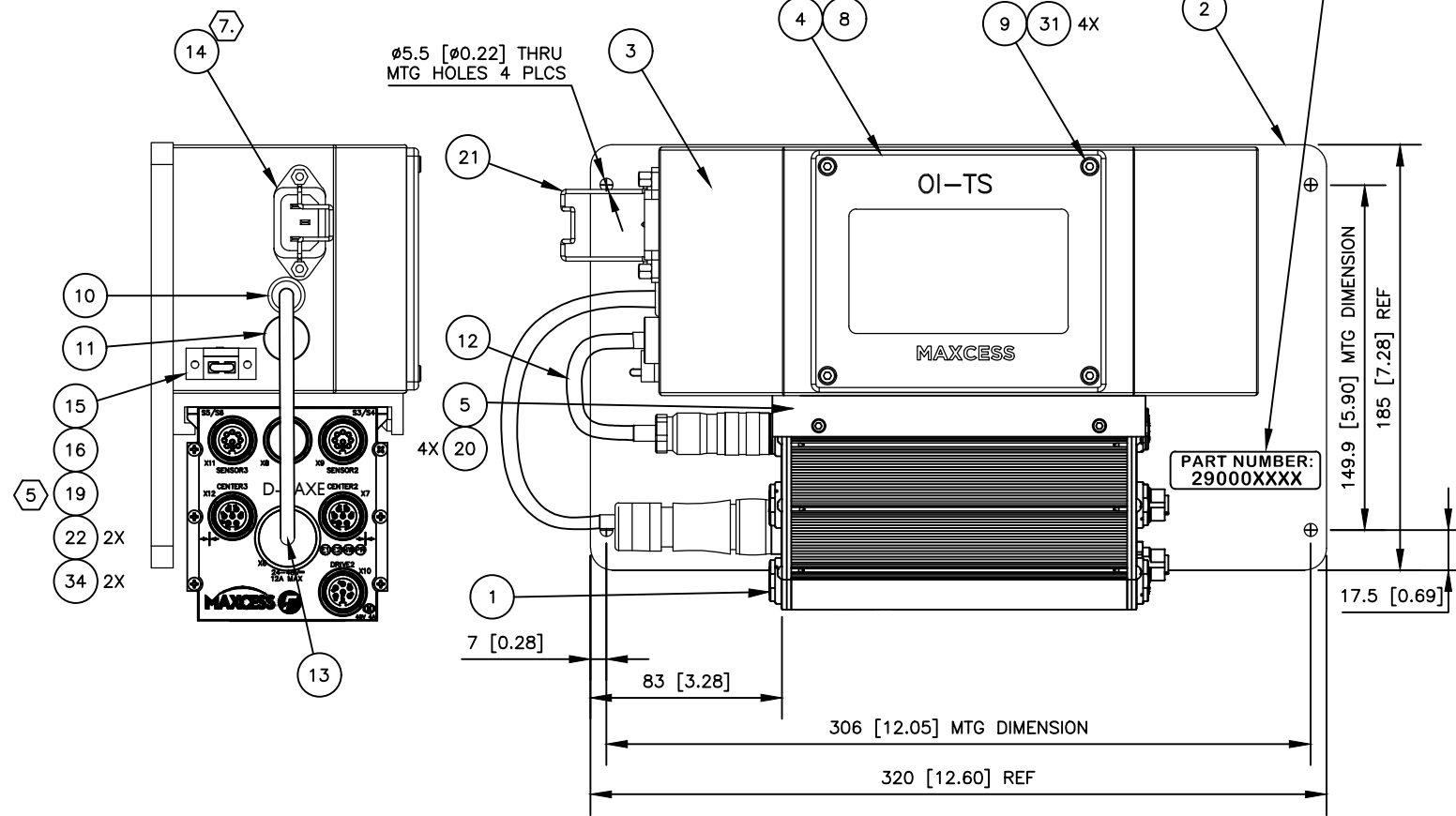


ASSEMBLY P/N	DESCRIPTION	ISAGRAF REQUIRED	PROGRAM NO.	LABEL P/N (ITEM 35)
290002903	STANDARD PROGRAM	NO	110000-00X	290005666
290002906	NON-STANDARD PROGRAM	NO	SEE SALES ORDER	290005667
290004249	NON-STANDARD PROGRAM	NO	101803-00X	290006542
290005412	NON-STANDARD PROGRAM	NO	110003-00X	290006471
290005413	NON-STANDARD PROGRAM	YES	101786-10X	290006472
290006427	NON-STANDARD PROGRAM	YES	SEE SALES ORDER	290006431

NO. REQD						LIST OF MATERIAL				
ITEM No.	UOM	PART No.	DESCRIPTION	REMARKS						
1	EA	29L219373011	D-MAXE-3 WEB GUIDE CONTROLLER, TRIPLE DRIVE							
1	EA	290003004	BASE PLATE	DWG 223497						
1	EA	290003005	SHROUD	DWG 223490						
1	EA	52M383375	OI-TS TOUCHSCREEN OPERATOR INTERFACE							
1	EA	29L213996001	CONTROLLER WALL MOUNT KIT, COMPACT							
1	EA	290003006	POWER SUPPLY, 5A / 240W							
4	EA	290003012	STANDOFF, F-F, ALUM, 3/8" HEX X 3.93" LG	DWG 223498						
1	EA	52M383399	GASKET, OI-TS							
4	EA	29L93288004	SOC HD CAP SCR, LOW HD, M4 X 0.7 THD X 12mm							
1	EA	52M330173	GROMMET, D-MAXE / OI-TS COMMUNICATION							
1	EA	290003014	GROMMET, D-MAXE POWER	DWG 94225						
1	EA	290003016	CABLE ASSY, D-MAXE TO OI-TS, 18 INCH LG	DWG 223697						
1	EA	290003013	CABLE ASSY, D-MAXE POWER SUPPLY, 18 INCH LG	DWG 223634						
1	EA	290003008	RECEPTACLE ASSY, POWER	DWG 94226						
1	EA	290003009	TERMINAL BLOCK PLUG	DWG 94228						
1	EA	290003010	CONNECTOR, PANEL MOUNT	DWG 94228						
1	EA	290003011	CONNECTOR	DWG 94227						
4	EA	29L91067006	HEX SOC FLT HD SCR, M4 X 0.7 THD X 20mm LG							
1	EA	290003144	JUMPER	DWG 223711						
4	EA	29L27608002	LOCKNUT, NYLON INSERT, M4							
1	EA	29L90951001	POWER CORD RETAINER							
5	EA	29L27608001	LOCKNUT, NYLON INSERT, M3							
7	IN	29L91450003	WIRE, 18 AWG, STRND, BROWN							
7	IN	29L91450010	WIRE, 18 AWG, STRND, BLUE							
10	IN	29L91450189	WIRE, 18 AWG, STRND, GREEN/YELLOW							
12	IN	29L13649007	WIRE, 14 AWG, STRND, BLACK							
4.5	IN	29L12331009	HEAT SHRINK, 1/4 IN , BLK							
3	IN	29L12331014	HEAT SHRINK, 3/8 IN, BLK							
1	EA	29L12316008	TERMINAL, RING, 14-16AWG, #8 STUD							
1	EA	29L12316002	TERMINAL, RING, 18-22AWG, #4 STUD							
AR	OZ	29L6A541	LOCTITE 222							
AR	EA	290003220	SOLDER, LEAD FREE, 0.031 IN DIA	DWG 94212						
4	EA	29L28118002	SCREW, SCKT CAP, BH, M4 X 10mm							
2	EA	29L27610005	SCREW, PH, CH HD, M3 X 12mm							
1	EA	SEE TABLE	LABEL, PART NUMBER	DWG 224979						
1	EA	29L92322001	ISAGRAF STICKER							
1	EA	29LCD-MANUAL	CD MANUAL							



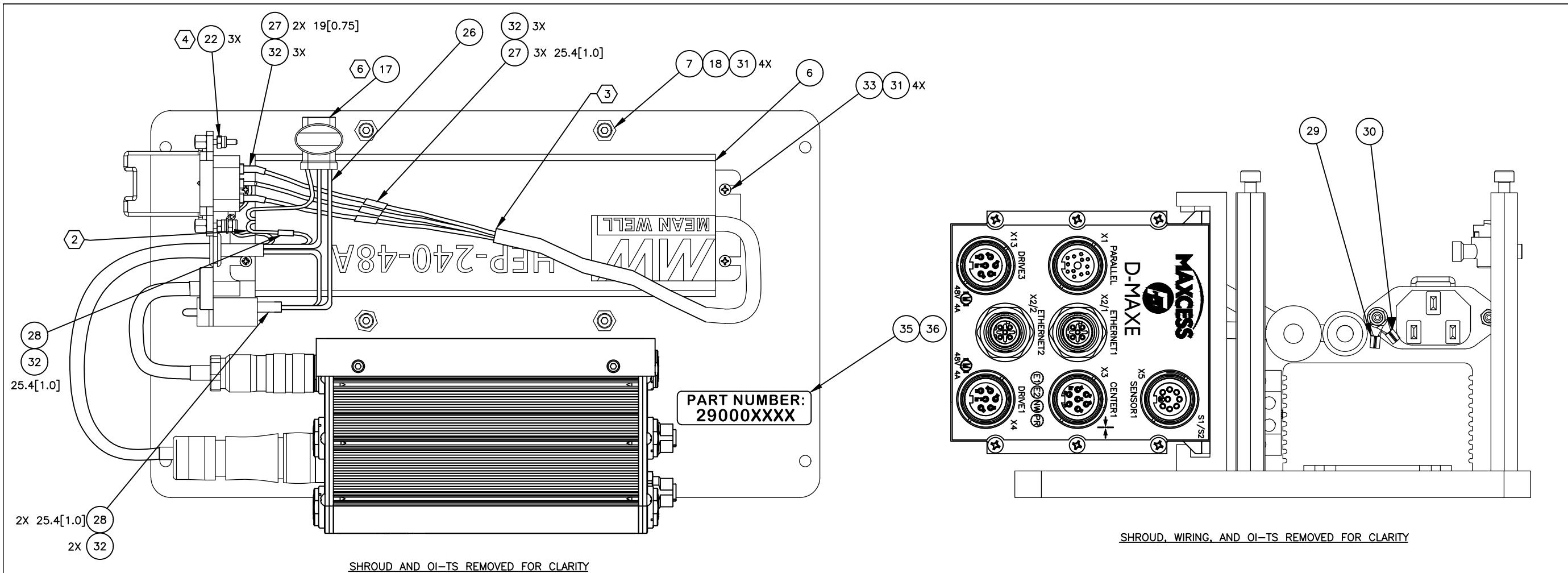
- NOTES:
- ASSEMBLY TO BE RoHS COMPLIANT.
 - STRIP DC POWER CABLE JACKET OF POWER SUPPLY (ITEM 6) BACK FULLY.
 - STRIP AC POWER CABLE JACKET OF POWER SUPPLY (ITEM 6) BACK 127[5].
 - ENSURE PAINT IS REMOVED FROM INSIDE SHROUD UNDER LOCK NUTS (ITEM 22).
 - INSTALL JUMPER (ITEM 19) INTO PLUG (ITEM 15). INSTALL PLUG INTO RECEPTACLE (ITEM 16).
 - ENSURE WIRES ARE CUT FLUSH BEFORE PLACING INTO SPLICE CONNECTOR (ITEM 17) AND COMPRESSING FULLY.
 - ORIENT POWER RECEPTACLE ASSY (ITEM 14) AS SHOWN.

ITEM 1 WAS 29L219373001
ECR #88941

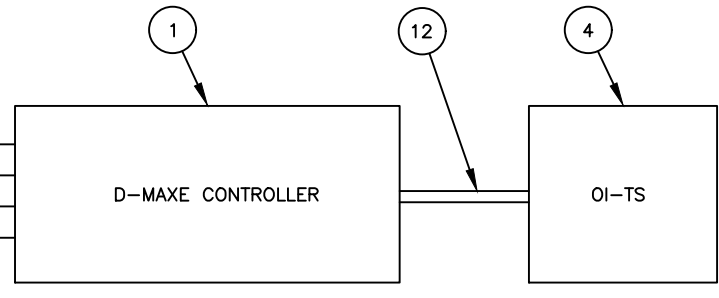
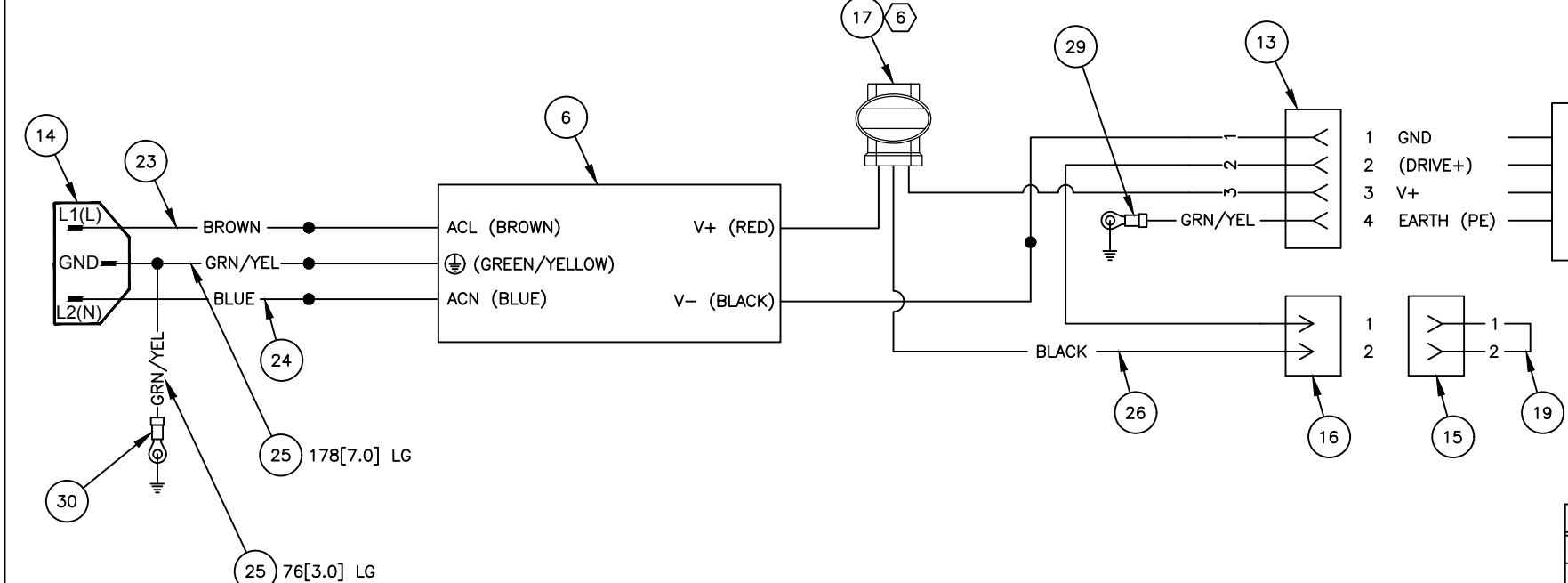
IA 02/04/21
PO 02/04/21

CDP-01 DROP-IN REPLT, SINGLE DRV	223505
DRAWING REFERENCE	NUMBER
UNLESS OTHERWISE SPECIFIED	This drawing is the property of FIFE CORPORATION. It is loaned with the understanding that it may not be reproduced nor may the information contained herein be used for the making of drawings or for manufacturing purposes without the written consent of FIFE CORPORATION.
GENERAL TOLERANCES: ISO 2768-mk	
GEOMETRICAL SYMBOLS: ISO 1101	
SURFACES: ISO 1302	
STANDARD SHOP PRACTICES AND STANDARD SHOP TOLERANCES PER DRAWING 201724	DE-BURR ALL EDGES 0.5 [0.020] MAX
LOCATION	OK
PART NUMBER	SEE P/N TABLE

C	ADDED P/N 290004249 ECR #86239	PO 03/07/18	MP 03/07/18
B	ADDED P/Ns 290005412/290005413/ 290006427 ADDED ITEMS 36 AND 37 REVISED TABLE ADDED NOTE 7. ECR #86205	PO 02/28/18	MP 02/28/18
SYM	REVISION	BY DATE	APVD
BY	DATE		
DRAWN SP	04/28/17		
CHECKED LZ	04/28/17		
APPROVED LZ	04/28/17		
		222 WEST MEMORIAL ROAD OKLAHOMA CITY, OK 73114 TEL: 405.755.1600 FAX: 405.755.8425 WWW.MAXCESSINTL.COM	
TITLE			
FIFE OI-TS / D-MAX-3 ASSEMBLY CDP-01 DROP-IN REPLACEMENT ASSEMBLY / INSTALLATION			
SCALE	SHEET NO.	DRAWING NO.	REV
NONE	1 OF 2	224332	D



WIRING DIAGRAM



DRAWING REFERENCE		NUMBER	
UNLESS OTHERWISE SPECIFIED		This drawing is the property of FIFE CORPORATION. It is loaned with the understanding that it may not be reproduced nor may the information contained herein be used for the making of drawings or for manufacturing purposes without the written consent of FIFE CORPORATION.	
GENERAL TOLERANCES:	ISO 2768-mk	 THIRD ANGLE PROJECTION DIMENSIONS ARE SHOWN IN mm (INCHES) UNLESS OTHERWISE NOTED	
GEOMETRICAL SYMBOLS:	ISO 1101		
SURFACES:	ISO 1302		
STANDARD SHOP PRACTICES AND STANDARD SHOP TOLERANCES PER DRAWING 201724	DE-BURR ALL EDGES 0.5 [0.020] MAX	LOCATION	OK
PART NUMBER	SEE P/N TABLE	SCALE	NONE
		SIZE	A2
DRAWING NO.		224332	
SHEET NO.		1 OF 2	
REV		D	

222 WEST MEMORIAL ROAD
OKLAHOMA CITY, OK 73114
TEL: 405.755.1600
FAX: 405.755.8425
WWW.MAXCESSINTL.COM

TITLE
FIFE
OI-TS / D-MAX-3 ASSEMBLY
CDP-01 DROP-IN REPLACEMENT
ASSEMBLY / INSTALLATION