

CDP-01 to D-MAXE 3 Upgrade Kit Cable Connection Reference



Before disconnecting or connecting any cables, ensure that power is off to the CDP-01 and the D-MAXE components.

Complete safety instructions can be found in the D-MAXE Operating Instructions.

D-MAXE 3 Upgrade kit part numbers*

Standard software	290002903
Custom software	290002906



This document is intended to be used as a quick reference guide for connecting your existing peripherals to the D-MAXE drop-in module.

The kit is designed to be installed using the same mounting holes and hardware as your CDP-01.

Use Fife power cable (1). Ensure that the cable retainer clip is properly engaged.

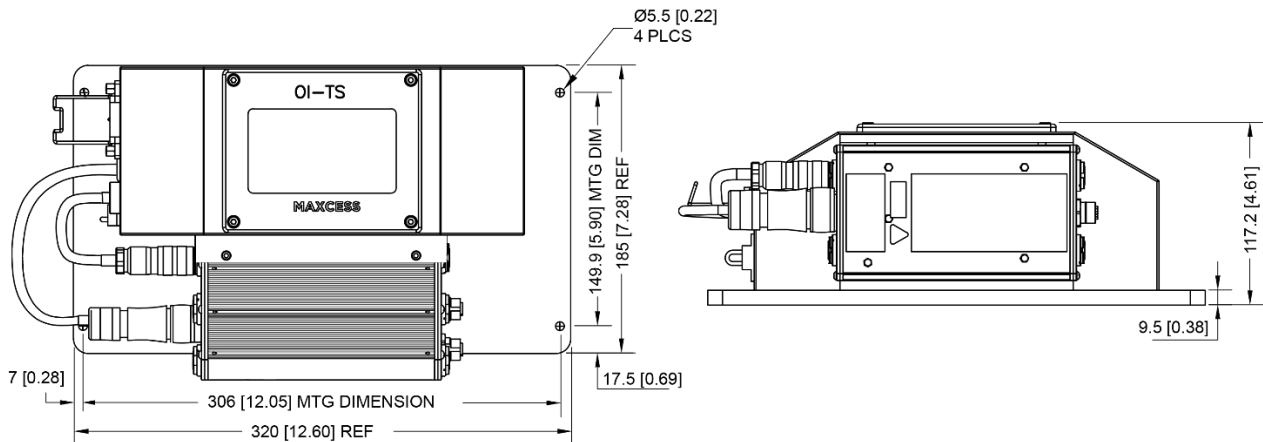
See the D-MAX OI-TS Quick Start Guide (2) for an introduction to the user interface.

- (1) Fife Part No.
78234-000 [length as specified]
78234-001 [16 feet]

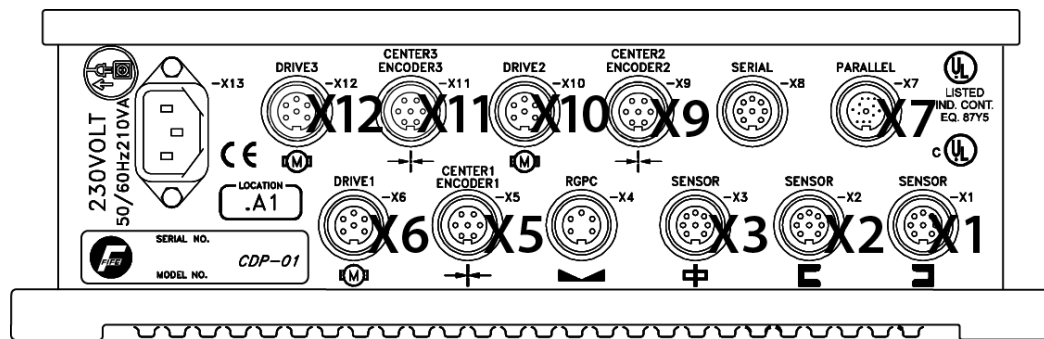
- (2) Fife Part No. MI 1 5013

*Standard single drive kit is pictured at left.

Dimensions (D-MAXE 3 kit)



Connections: CDP-01 to D-MAXE

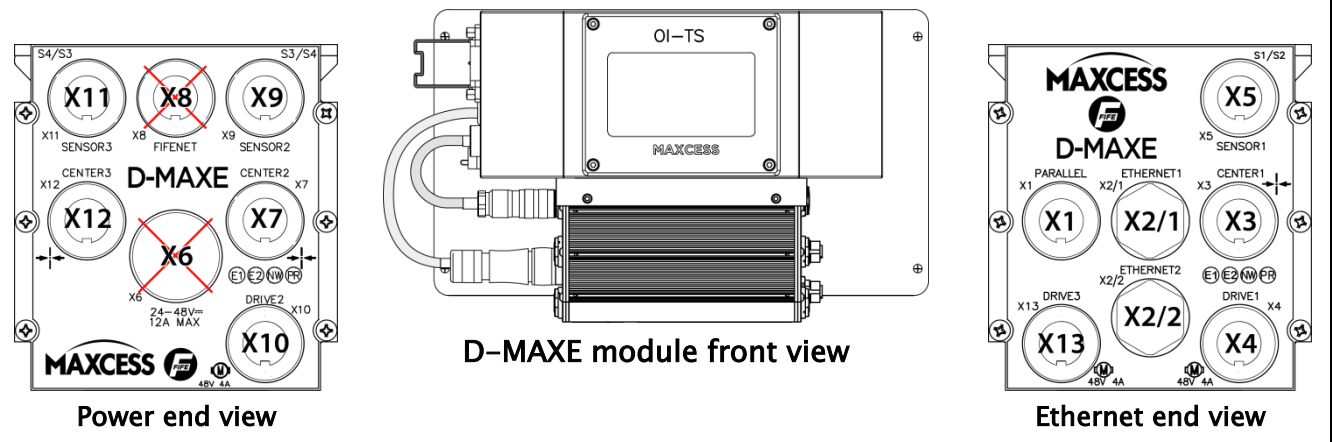


Connections

CDP-01 → D-MAXE 3

Connections		Description
X1	X5	Sensor (Edge)
X2	X9	Sensor (Edge)
X3	X11	Sensor (Line Guide)
X4	N/A	RGPC
X5	X3	Servo Center 1 / Encoder 1
X6	X4	Drive 1
X7	X1	Parallel I/O
X8	N/A	Serial Communications
X9	X7	Servo Center 2 / Encoder 2
X10	X10	Drive 2
X11	X12	Servo Center 3 / Encoder 3
X12	X13	Drive 3
N/A	X6	Connected from D-MAXE from internal power supply
N/A	X8	Connected from D-MAXE operator interface (OI-TS)

Connections: D-MAXE 3 (triple drive)



AMERICAS

Tel +1.405.755.1600
 Fax +1.405.755.8425
 sales@maxcessintl.com
 www.maxcessintl.com

EUROPE, MIDDLE EAST AND AFRICA

Tel +49.6195.7002.0
 Fax +49.6195.7002.933
 sales@maxcess.eu
 www.maxcess.eu

CHINA

Tel +86.756.881.9398
 Fax +86.756.881.9393
 info@maxcessintl.com.cn
 www.maxcessintl.com.cn

INDIA

Tel +91.22.27602633
 Fax +91.22.27602634
 india@maxcessintl.com
 www.maxcess.in

JAPAN

Tel +81.43.421.1622
 Fax +81.43.421.2895
 japan@maxcessintl.com
 www.maxcess.jp

KOREA, TAIWAN, AND SE ASIA

asia@maxcessintl.com
 www.maxcess.asia