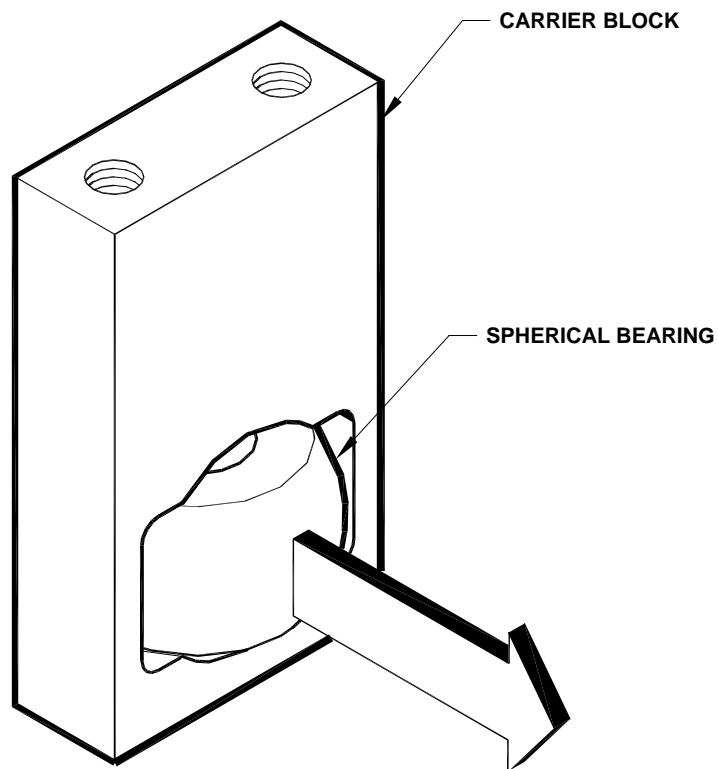


CARRIER BLOCK AND  
SPHERICAL BEARING



**Figure 1.**  
CARRIER BLOCK AND SPHERICAL BEARING DISASSEMBLY

To disassemble the carrier block and spherical bearing proceed as follows:

1. Rotate spherical bearing until the through hole is up and the flat surface is aligned with slots in the carrier block.
2. Push bearing out in direction shown by arrow.
3. Reverse disassembly order to reassemble.



MAXCESS INTERNATIONAL COMPANIES



GUIDING · INSPECTION



TENSION CONTROL



SLITTING · WINDING

FIFE CORPORATION

222 W. Memorial Road, Oklahoma City, OK 73114-2317, USA / Post Office Box 26508, Oklahoma City, OK 73126-0508, USA  
Phone: 405.755.1600 / 800.639.3433 / Fax: 405.755.8425 / E-mail: fife@fife.com / Web: www.fife.com