



Fife Corporation
P.O. Box 26508, Oklahoma City, OK 73126, USA
Phone: 405.755.1600 / Fax: 405.755.8425
www.fife.com / E-mail: fife@fife.com

MAINTENANCE INSTRUCTIONS DS-70B OFFSET PIVOT GUIDE ASSEMBLY

DS-70B OFFSET PIVOT GUIDE

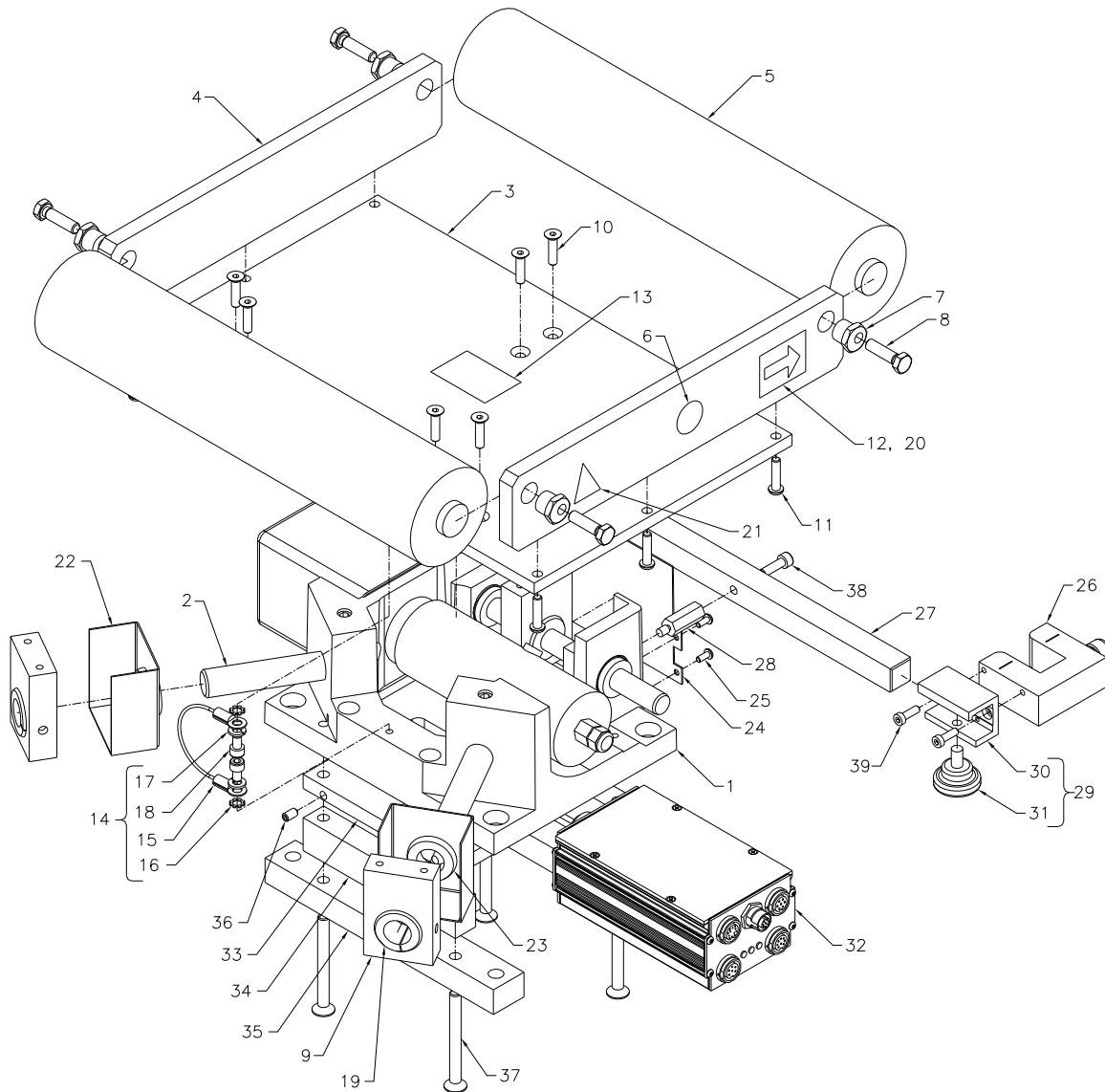


Figure 1.
DS-70B OPG ASSEMBLY



Fife Corporation

P.O. Box 26508, Oklahoma City, OK 73126, USA
 Phone: 405.755.1600 / Fax: 405.755.8425
 www.fife.com / E-mail: fife@fife.com

MAINTENANCE INSTRUCTIONS DS-70B OFFSET PIVOT GUIDE ASSEMBLY

Parts List

ITEM NO	PART DESCRIPTION	PART NUMBER	ITEM QTY
1	Raceway Base Assembly	201942-XXX	1
2	RaceRod	80105-XXX	2
3	Pivot Carrier Crossmember	87574-001	1
4	Roller Mounting Arm	46814-001	2
5	Roller Assembly	XXXXXX-XXX	2
6	Fife Logo	XXXXXX-XXX	2
7	Roller Adjusting Eccentric	46820-001	4
8	Hex Socket Head Cap Screw, M8 X 30 Lg	26717-006	4
9	Carrier Block	87452-001	2
10	Flat Socket Head Screw, M6 X 25 Lg	27641-007	6
11	Button Head Cap Screw, M6	42742-XXX	6
12	Web Direction Label. RH	76938-001	1
13	OPG Nameplate	XXXXXX-XXX	1
14	Grounding Strap Kit	46833-004	1
15	Ground Wire	46847-004	1
16	External Tooth Lock Washer, M6	27547-004	2
17	Spring Lock Washer, 1/4	12836-005	2
18	Hex Head Screw, M6 X 10 LG	26707-002	2
19	Spherical Bearing	78760-001	2
20	Web Direction Label. LH	76938-002	1
21	Warning Label	92403-051	2
22	CE Guard	202795-001	2
23	Grommet	92536-001	2
24	CE Guard	201922-001	1
25	Button Head Cap Screw, M4 X 8 Lg	28118-001	4
26	Sensor	XXXXXX-XXX	X
27	Sensor Mounting Bar	202874-XXX	1
28	Standoff	201134-XXX	2
29	Sensor Mounting Bracket Assembly	XXXXXX-XXX	X
30	Mounting Bracket, MB-20	201540-001	X
31	Knob	92436-001	X
32	D-Max-01, Controller	200925-001	1
33	Processor Mounting Bar	201929-001	2
34	Mounting Leg	201930-001	2
35	Mounting Foot	201931-001	2
36	Socket Head Set Screw, Cone Point, M6 X 12 Lg	91044-004	2
37	Flat Socket Head Screw, M8 X 80 Lg	90296-015	4
38	Hex Socket Head Screw, M6 X 25 Lg	26707-009	2
39	Hex Socket Head Screw, Low Head, M5 X 10 Lg	91041-002	4

Items are indented in the bill of material to indicate their relationship to a higher assembly. All Items belonging to an assembly will be listed directly under that assembly and will be indented one column to the right.