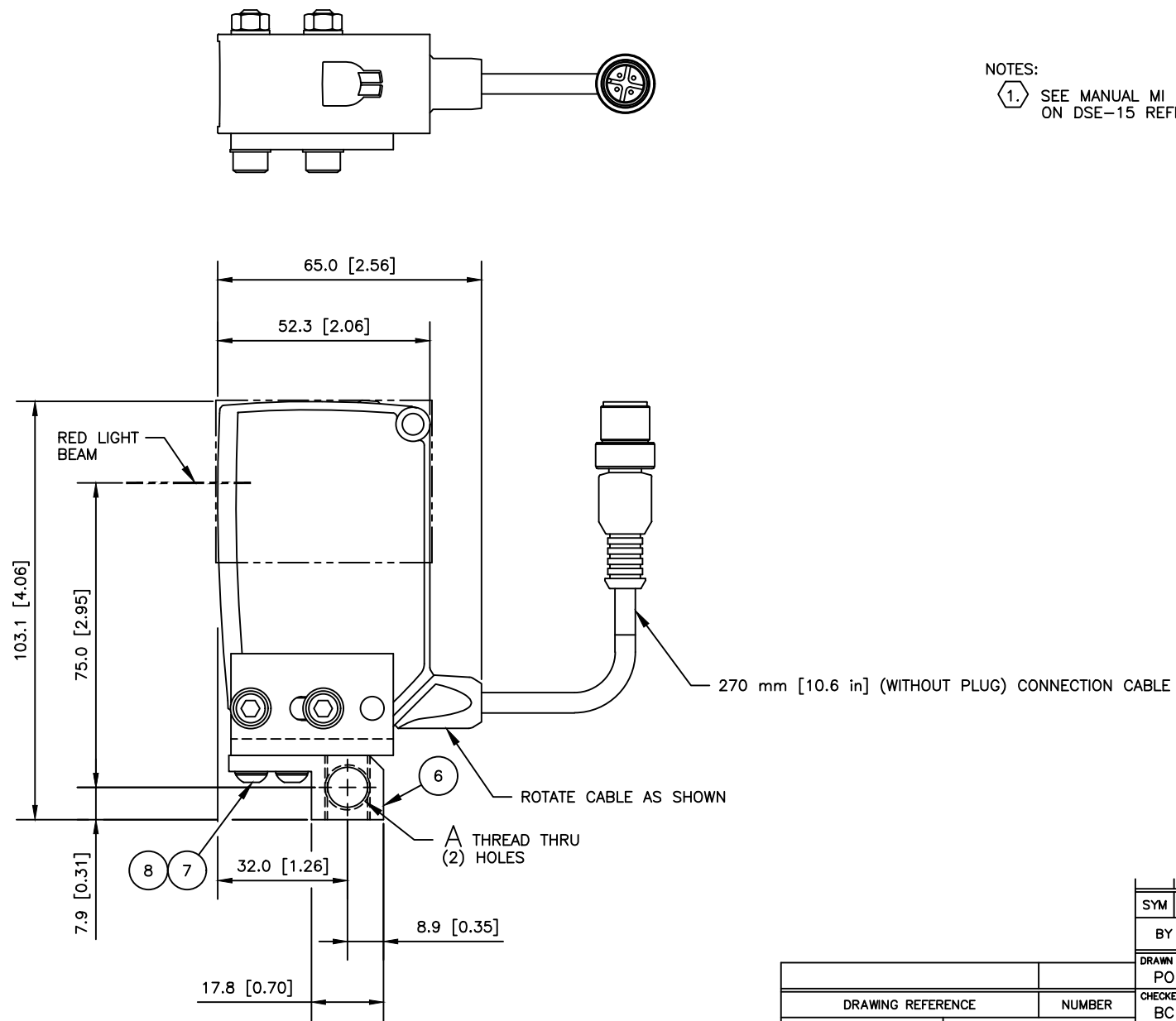
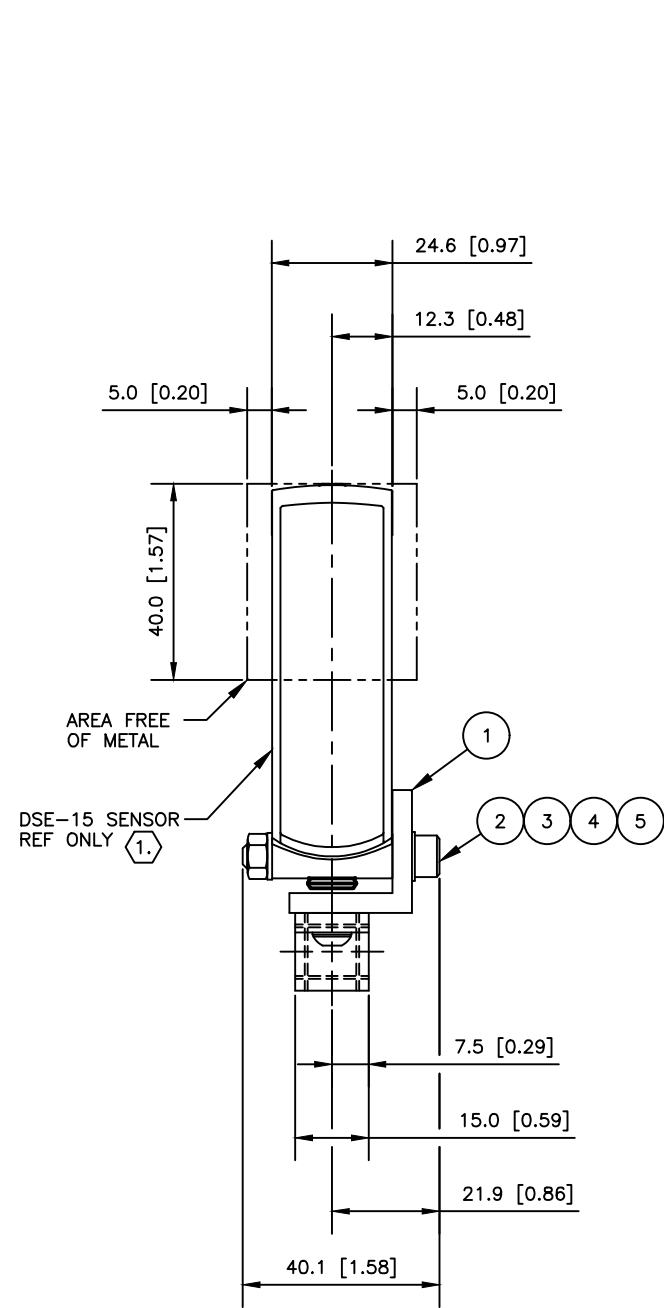


FIFE P/N	A THREAD	ITEM 6 P/N
290013677	7/16/20 UNC	29L82233001
290013678	M8 X 1.25	29L82233002

BILL OF MATERIAL							
ITEM	PART NO.	DESCRIPTION	REMARKS	NUM PIECES	LENGTH	QTY/ PARENT	UOM
1	52M460368	DSE-15 ADAPTER BRACKET	DWG 815279			1	EA
2	29L90870012	HEX SOC HEAD SCREW, M5 X 0.8 THD X 35 mm LG				2	EA
3	29L41515005	INTERNAL TOOTH LOCKWASHER, M5				2	EA
4	29L27318003	FLAT WASHER, M5				2	EA
5	29L27612003	HEX NUT, M5 X 0.8				2	EA
6	SEE P/N TABLE	M-1935 SENSOR MOUNTING ADAPTER	DWG 82233			1	EA
7	29L28118001	BUTTON HEAD SCREW, M4 X 0.7 THD X 8 mm LG				2	EA
8	29L41515004	INTERNAL TOOTH LOCKWASHER, M4				2	EA



NOTES:
 1. SEE MANUAL MI 1 1094 FOR MORE INFORMATION ON DSE-15 REFLECTED LIGHT SENSOR.

DRAWING REFERENCE		NUMBER	REVISION		BY	DATE	APVD
UNLESS OTHERWISE SPECIFIED		This drawing is the property of FIFE CORPORATION. It is loaned with the understanding that it may not be reproduced nor may the information contained herein be used for the making of drawings or for manufacturing purposes without the written consent of FIFE CORPORATION.	BY	DATE			
GENERAL TOLERANCES:			DRAWN	11/25/20			
ISO 2768-mk			CHECKED	BC	11/25/20		
GEOMETRICAL SYMBOLS:			APPROVED	BC	11/25/20		
ISO 1101							
SURFACES:							
ISO 1302							
STANDARD SHOP PRACTICES AND STANDARD SHOP TOLERANCES PER DRAWING 201724		DE-BURR ALL EDGES 0.5 [0.020] MAX	LOCATION	OK	THIRD ANGLE PROJECTION DIMENSIONS ARE SHOWN IN mm [INCHES] UNLESS OTHERWISE NOTED		
PART NUMBER		SCALE	SIZE	DRAWING NO.	SHEET NO.	REV	
SEE P/N TABLE		1:1	A2	228099	1 OF 1	—	

222 WEST MEMORIAL ROAD
 OKLAHOMA CITY, OK 73114
 TEL: 405.755.1600
 FAX: 405.755.8425
 WWW.MAXCESSINTL.COM

TITLE
 FIFE
 DSE-15 SENSOR ADAPTER KIT
 FOR M-1935 MOUNTING
 ASSEMBLY (INSTALLATION)