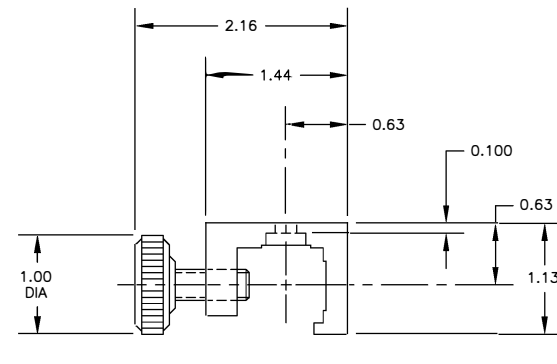
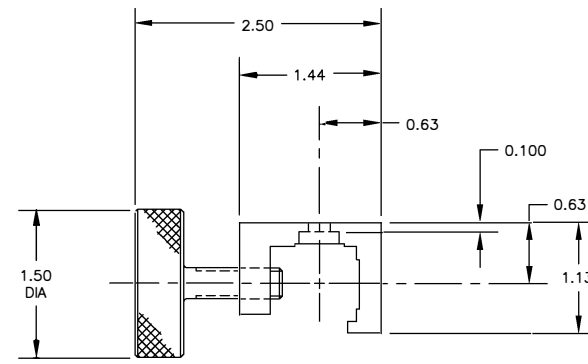


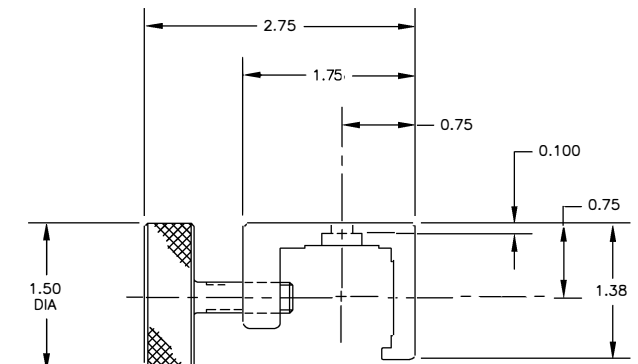
M18 ASSEMBLY P/Ns 46200-002, -007



M17 ASSEMBLY P/Ns 46200-001 AND -005



M17 ASSEMBLY P/Ns 46200-009 AND 200318-001



M18 ASSEMBLY P/N 46200 -010

REMOVED JAM NUTS FROM VIEWS ADDED VIEW FOR -010 ECR #72754		RPS 07/23/09	PRO 07/23/09
DWG WAS 'C' SIZE ADDED P/Ns 46200-005, -007, -009, AND -010 AND 200318-001 TO DWG ECR #63073		PO 12/02/03	RDF 12/04/03
REDRAWN ON CAD ECR #56164		CR 03/07/99	OLSON 03/30/99
SYM	REVISION	BY DATE	APVD
BY	DATE		
DRWN CR	3/7/99	222 WEST MEMORIAL ROAD (73114-2317) POST OFFICE BOX 26508 OKLAHOMA CITY, OK 73128-0508, U.S.A. PHONE: (405) 755-1600 FAX: (405) 755-8425	
CHECKED OLSON	3/30/99	TITLE FIFE INSTALLATION DIMENSIONS SENSOR MOUNTING ASSEMBLIES M17 AND M18	
APPROVED OLSON	3/30/99	DIMENSIONS ARE SHOWN IN INCHES (mm) UNLESS OTHERWISE NOTED	
TOLERANCES: UNLESS OTHERWISE SPECIFIED: INCHES MM .X = ±.1 X = ±2.5 .XX = ±.03 X = ±.8 .XXX = ±.010 XX = ±.2 FRACTIONS = STOCK SIZE		This drawing is the property of FIFE CORPORATION. It is loaned with the understanding that it may not be reproduced nor may the information contained herein be used for the making of drawings or for manufacturing purposes without the written consent of FIFE CORPORATION.	
SURFACE FINISH EXPOSED 250 AA MACHINED 125 AA DE-BURR ALL EDGES 0.020 (0.5) MAX		STANDARD SHOP PRACTICES AND STANDARD SHOP RUN TOLERANCES PER DRAWING 40400	LOCATION SCALE SIZE OK FULL D
DRAWING REFERENCE		NUMBER	
DRAWING NO.		46199	
SHEET NO.		1 OF 1	
REV		E	