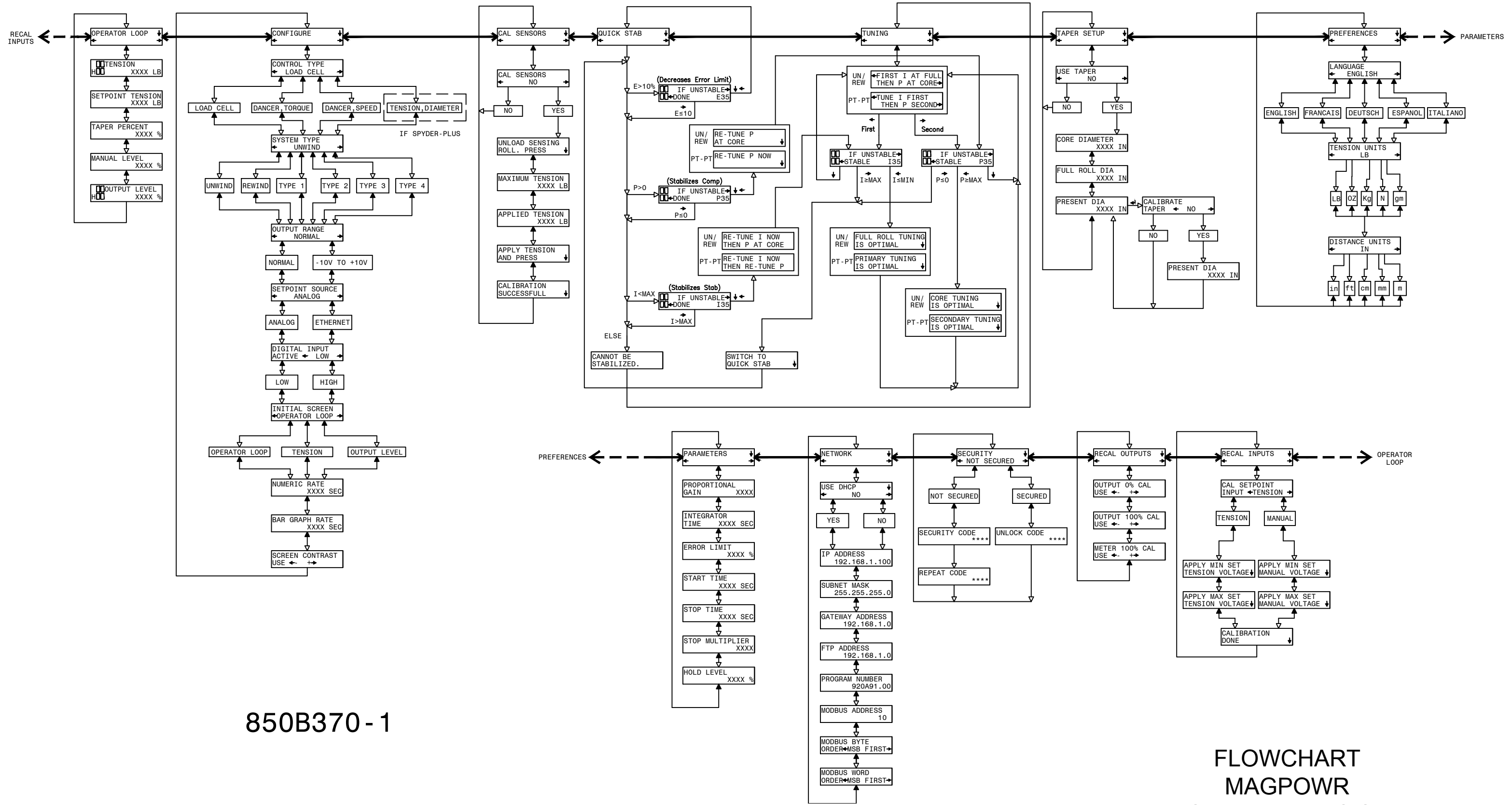
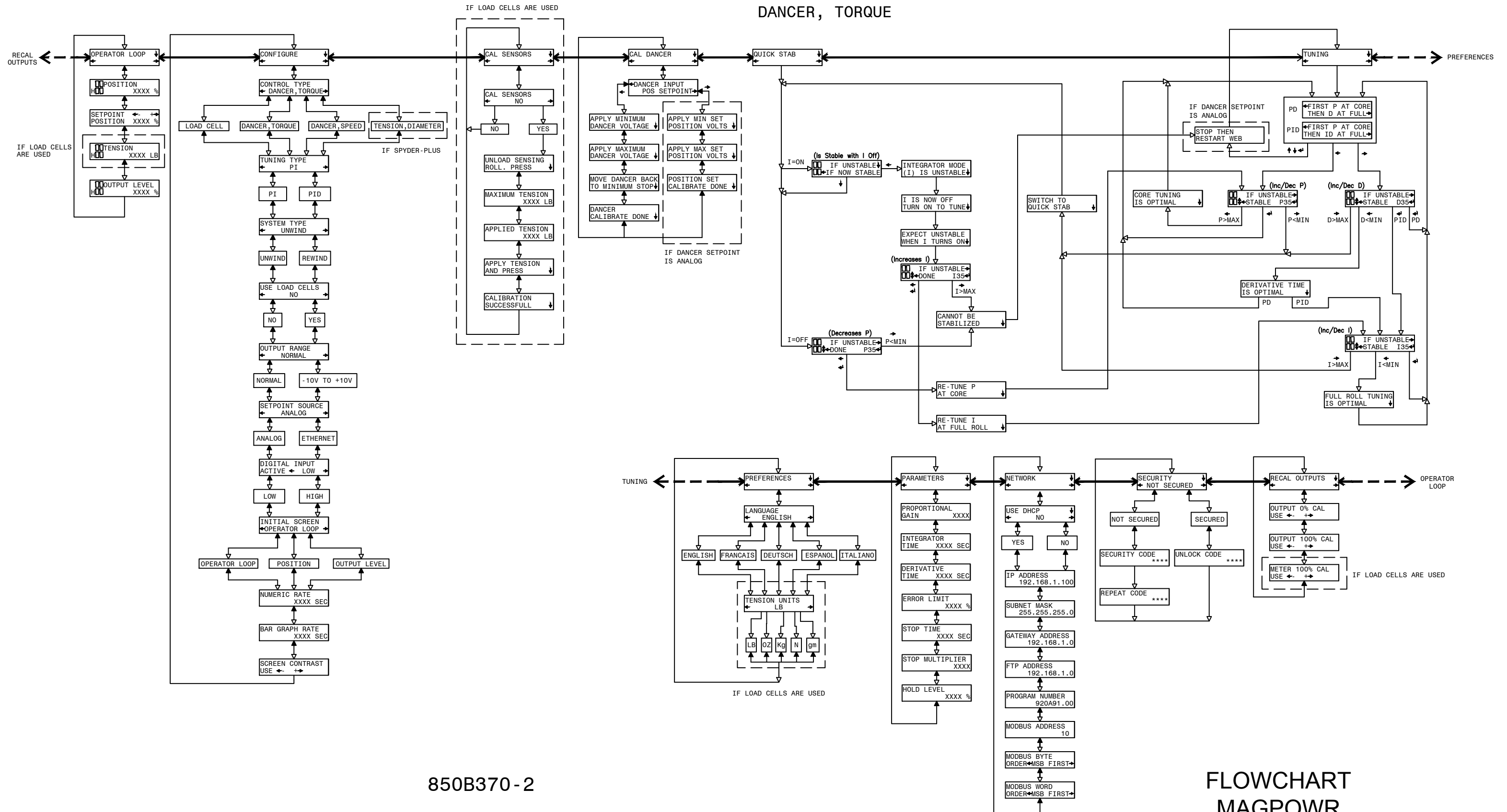


LOAD CELL



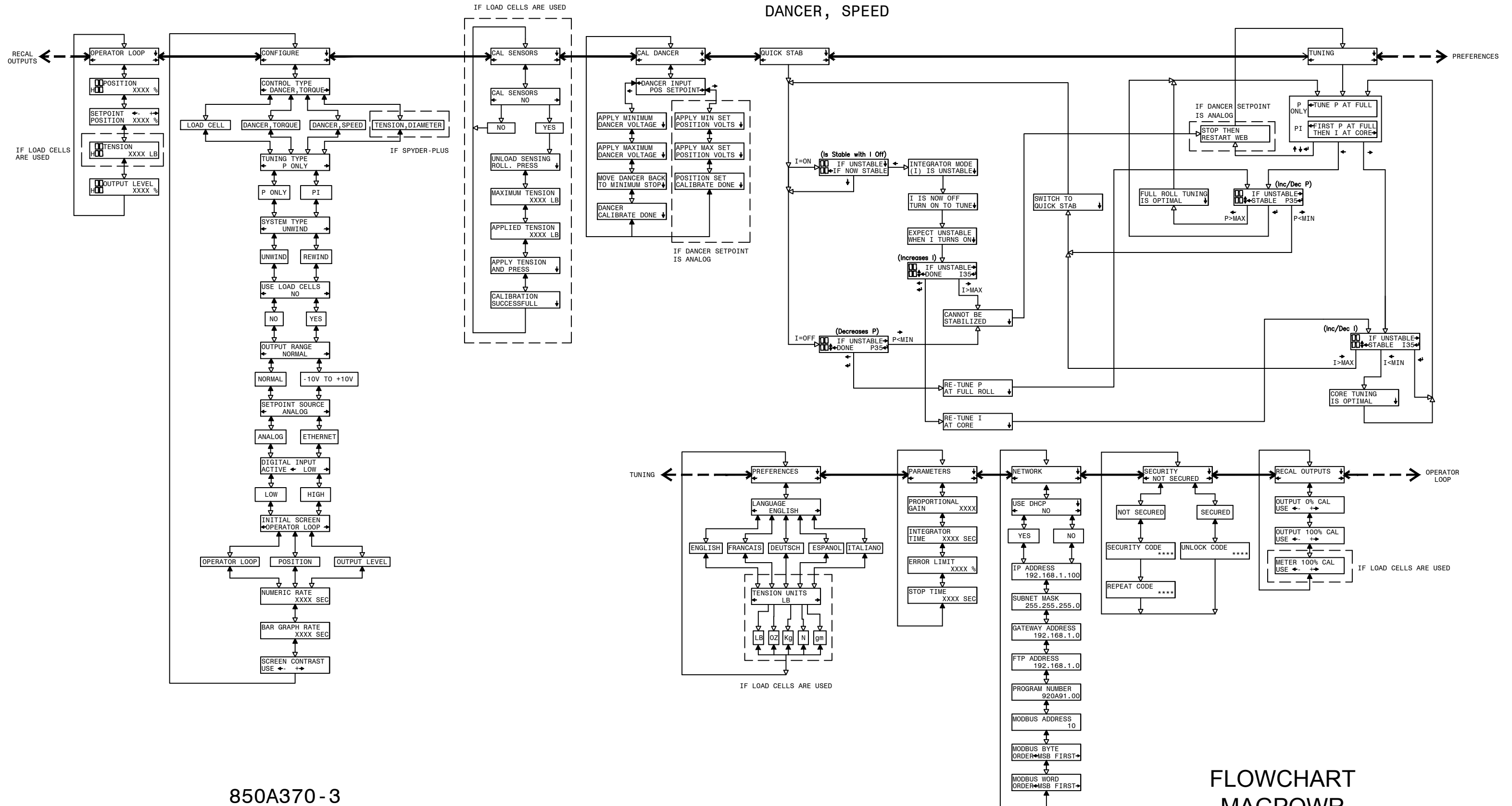
850B370-1

FLOWCHART
MAGPOWR
SPYDER-PLUS S2



850B370 - 2

FLOWCHART
MAGPOWR
SPYDER-PLUS S2

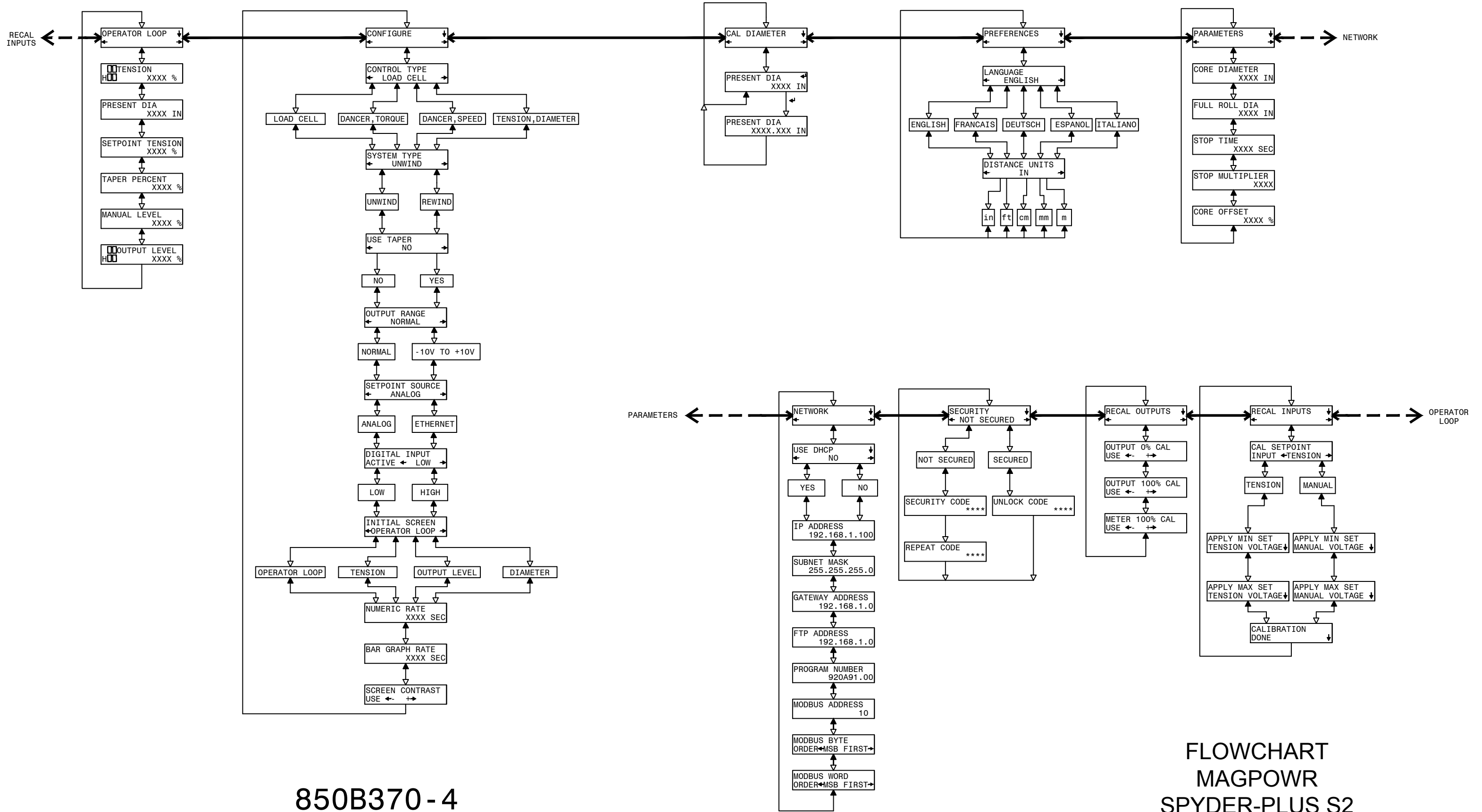


850A370-3

FLOWCHART
MAGPOWR
SPYDER-PLUS S2

OPEN LOOP TENSION BASED ON DIAMETER

(ONLY AVAILABLE ON SPYDER-PLUS)



850B370-4

FLOWCHART
MAGPOWR
SPYDER-PLUS S2