

The D-MAX Mini Operator Interface OI-S is the entry level operator interface solution for the D-MAX processor and it perfectly fits the requirement of any basic guiding applications, such as edge and line guiding on a slitter rewinder, guiding into print or into rewinding on a printing press or simple movable sensor center guiding on a blown film extruder. It is also an economic solution for adding a local control panel in networked D-MAX guiding application.

The intuitive symbolic user interface makes the Fife OI-S Operator Interface very easy to use, overcoming all linguistic barriers. The commands directly accessible through the smart keys are pre-selected according to the requirements of each application.

The robust and versatile Fife OI-S housing is available in two versions. One is designed for easy integration into a control panel or cabinet door and the other for wall mounting. Both feature an industrial grade membrane keyboard and a backlit, easy to read LCD display.

GENERAL SPECIFICATIONS

Mounting Options:
Panel (-B) or Wall (-W) mount

Dimensions:
Wall Mount:
110 x 110 x 35 mm

Panel Mount:
110 x 110 x 30+5 mm

Weight:
300 g
(OI-S only, without mounting accessories)

Operating Conditions:
Temperature: 0° to 60°C,
Humidity: 10% - 95%,
non-condensing

Display:
128 x 64 pixels Backlit LCD display

Keyboard:
10 Keys Industrial Grade Membrane Keyboard (with 3 Smart Keys)

Protection Class:
IP-64

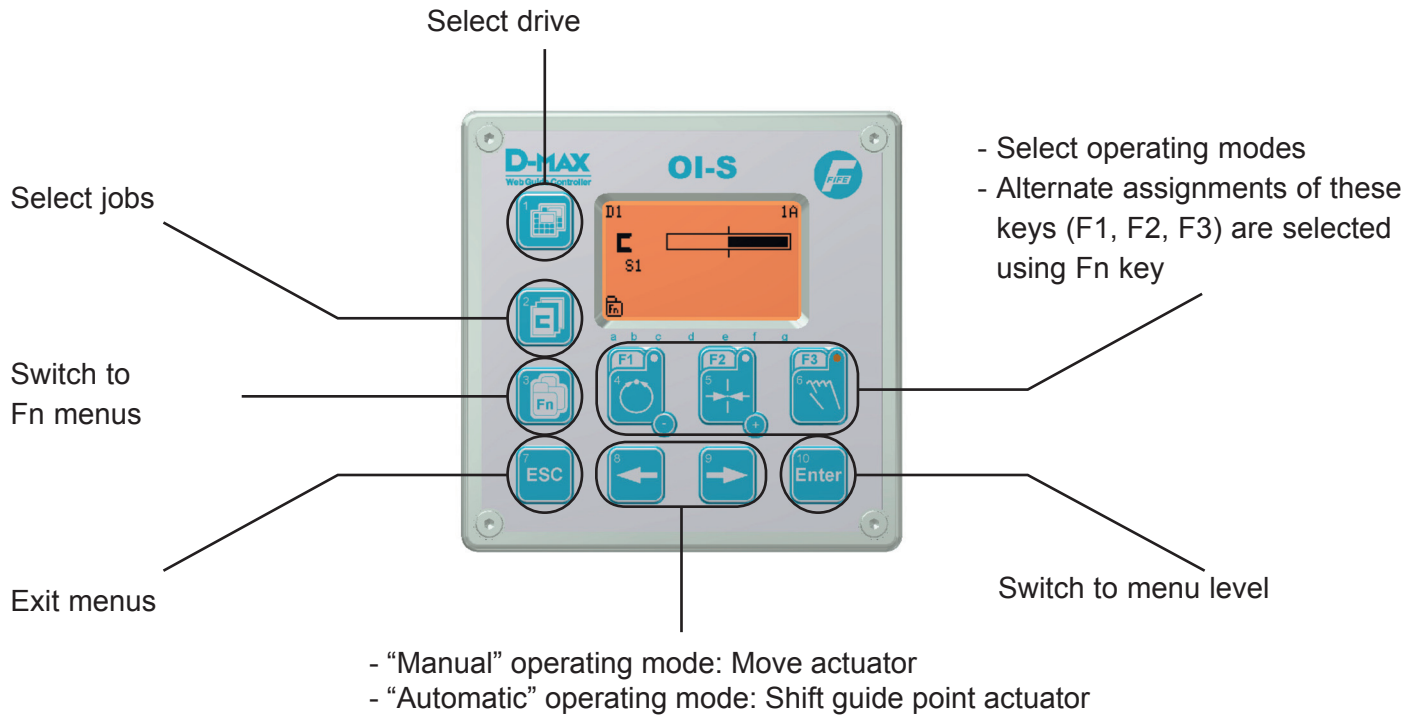
Connection to D-MAX:
350 mm pigtail cable and compulsory extension cable P/N 717459-0YY (YY Length in m, max length 100 m)

KEY FEATURES

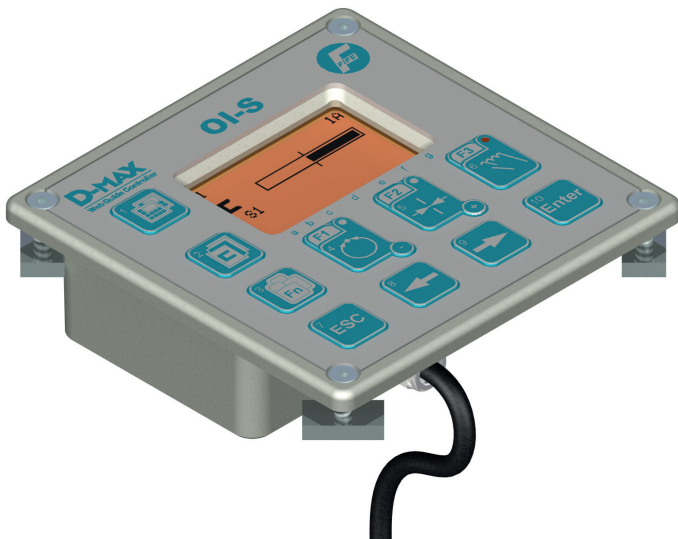
- Symbol-based, easy-to-use interface
- Pre-defined smart keys with direct selection of the functions required by the specific application
- Compact dimensions
- Suitable for Wall- and Panel-Mounting
- Single cable connection
- Backlit easy-to-read LCD display
- Compatible with all existing D-MAX systems (software upgrade may be required)

FIFE D-MAX OI-S OPERATOR INTERFACE

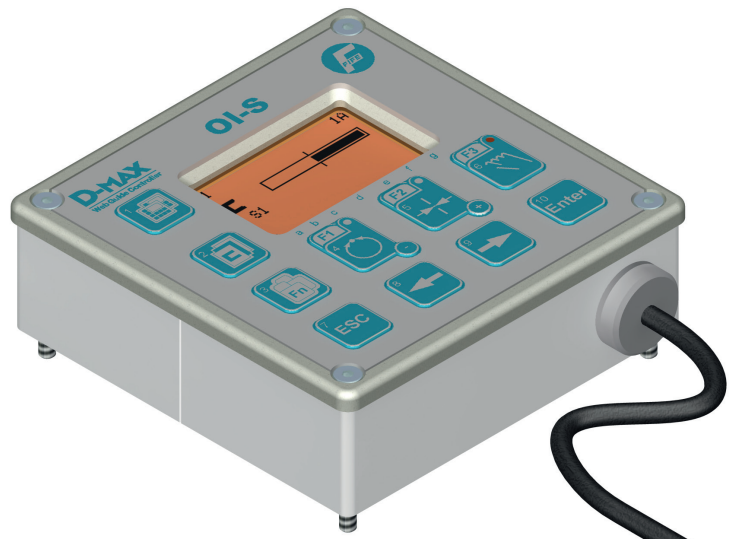
KEYS AND DISPLAY



MOUNTING



Panel Mount Version -B



Wall Mount Version -W



NORTH AMERICA

Toll Free 800.636.3433
Tel +1.405.755.1600
Fax +1.405.755.8425
sales@maxcessintl.com
www.maxcessintl.com

SOUTH AMERICA

Tel +55.11.3959.0990
Fax +55.11.3856.0990
southamerica@maxcessintl.com
www.maxcessintl.com.br

EUROPE

Tel +49.6195.7002.0
Fax +49.6195.7002.933
sales@maxcess.eu
www.maxcess.eu

INDIA

Tel +91.22.27602633
Fax +91.22.27602634
india@maxcessintl.com
www.maxcess.in

CHINA

Tel +86.756.881.9398
Fax +86.756.881.9393
info@maxcessintl.com.cn
www.maxcessintl.com.cn

JAPAN

Tel +81.43.421.1622
Fax +81.43.421.2895
japan@maxcessintl.com
www.maxcess.jp

KOREA, TAIWAN AND SE ASIA

Tel +65.9620.3883
Fax +65.6235.4818
asia@maxcessintl.com