



Introducing the FIFE-500 web guide for narrow and medium web and nonwoven applications. This cost-effective guiding system is easy to use, while using new technology to help you improve efficiency. Thanks to its compact dimensions it can easily fit into new or existing machinery. At the heart of the FIFE-500 is a color touch screen that's operator friendly, featuring icons and text in multiple languages to simplify operation and reduce the time necessary for training.

FIFE-500 leverages the latest technology to improve performance and brushless motors to reduce maintenance. Faster core processing speeds mean that the FIFE-500 can adapt quickly to changes in the web, even at high line speeds, to achieve the maximum performance and durability in all applications.

## GENERAL SPECIFICATION

### Web Width

Up to 900 mm

### Maximum Tension

Sizes 1-4: 355 N  
 Sizes 5-7: 1000 N

### Languages

English, German, French, Italian, Spanish, Simplified Chinese, Traditional Chinese, Korean, Portuguese, Japanese, Swedish, Dutch, Turkish, Catalan

### Guide Spans

180 mm to 600 mm

### Standard Roller Lengths

160 mm to 900 mm

### Protection Class

IP54

### Power Supply

18 - 30VDC, 108Watt

### Temperature

0-50 °C

### Product Safety

CE, TÜV (IEC 61010-1)

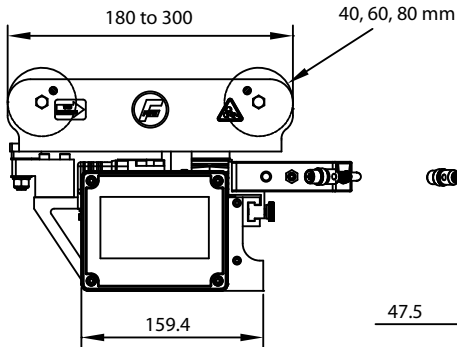
## KEY FEATURES

- Brushless motor for reduced maintenance and greater thrust
- Guided Ball Nut adds reliability and long-term performance
- Color touch screen with options for mounting vertically or horizontally
- Multiple languages and icons for easy setup, training and operation
- Cost-effective solution for narrow web and nonwoven applications
- Compact design fits easily in tight spaces
- Optional splice table and fine adjustment mounting bracket

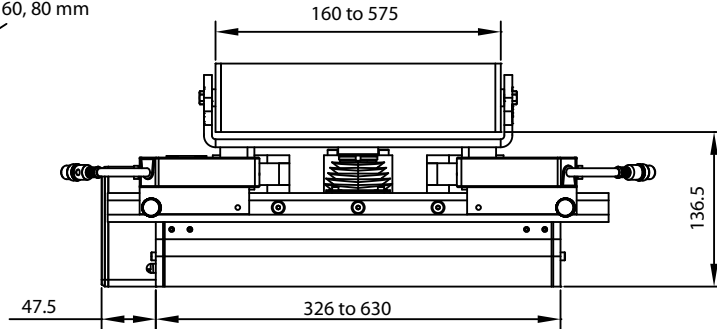
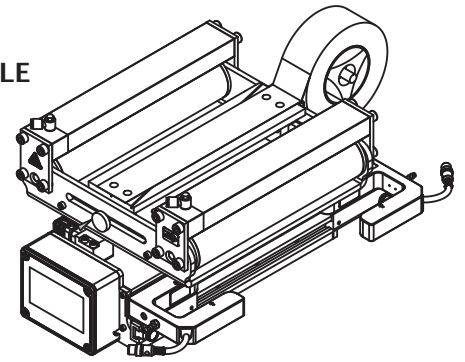
# FIFE-500 WEB GUIDING SYSTEM

## DIMENSIONS: SIZES 1-4

WITHOUT SPLICE TABLE

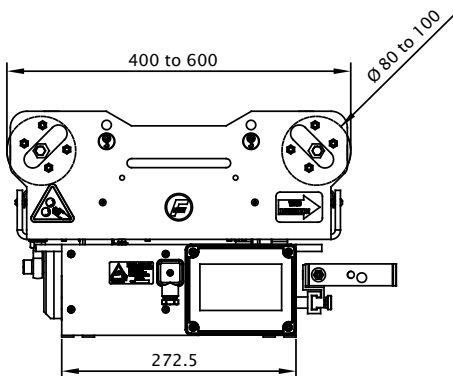


WITH SPLICE TABLE

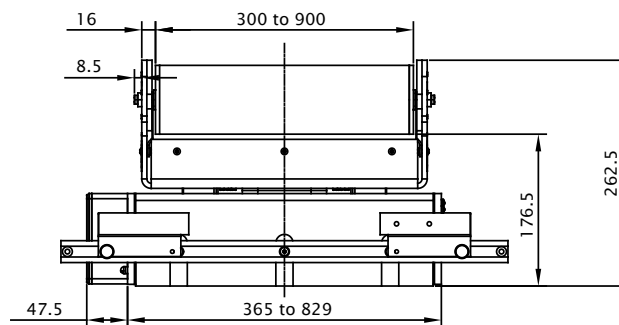
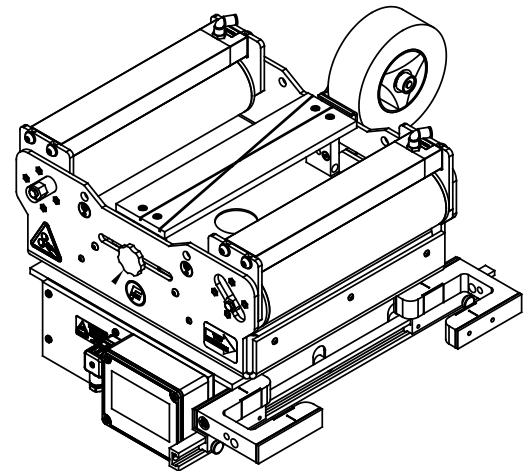


## DIMENSIONS: SIZES 5-7

WITHOUT SPLICE TABLE



WITH SPLICE TABLE



# MAXCESS

MAGPOWR



TIDLAND

### EUROPE, MIDDLE EAST AND AFRICA

Tel +49.6195.7002.0  
Fax +49.6195.7002.933  
sales@maxcess.eu  
www.maxcess.eu

### INDIA

Tel +91.22.27602633  
Fax +91.22.27602634  
india@maxcessintl.com  
www.maxcess.in

### NORTH, CENTRAL AND SOUTH AMERICA

Tel +1.405.755.1600  
Fax +1.405.755.8425  
sales@maxcessintl.com  
www.maxcessintl.com

### JAPAN

Tel +81.43.421.1622  
Fax +81.43.421.2895  
japan@maxcessintl.com  
www.maxcess.jp

### CHINA

Tel +86.756.881.9398  
Fax +86.756.881.9393  
info@maxcessintl.com.cn  
www.maxcessintl.com.cn

### KOREA, TAIWAN AND SE ASIA

Tel +65.9620.3883  
Fax +65.6235.4818  
asia@maxcessintl.com