

MAXCESS

TIDLAND



Tidland Force5 Air Chucks are an affordable, lightweight alternative to aluminum chucks, providing reliable non-slip grip for maximum roll control in a wide range of applications.

These innovative chucks feature specially-engineered polymer expanding element that not only delivers high durability in extreme conditions, but also enables the chuck to retain its shape over time for ease of insertion and removal. When paired with Tidland's Ultrashaft composite air shafts or composite mandrels, you can safely change rolls from 76 mm (3") to 152 mm (6") ID Cores.

GENERAL SPECIFICATIONS

TORQUE VALUES*

Pressure	Maximum per Chuck
3.4bar (50psi)	446Nm (3,947in-lb)
4.1 bar (60psi)	521 Nm (4,790in-lb)
4.8bar (70psi)	635Nm (5,628in-lb)
5.5 bar (80psi)	730Nm (6,462in-lb)
6.2bar (90psi)	824Nm (7,295in-lb)

*Torque values are based on ± 5 psi working pressure, core tolerance of 0.05 inch, and a static coefficient of friction between the fiber core and tire of 0.64.

MAXIMUM ROLL WEIGHT

Per Chuck	680kg (1,500lbs)
Per Roll	1,361 kg (3,000lbs)

SHAFT SIZE

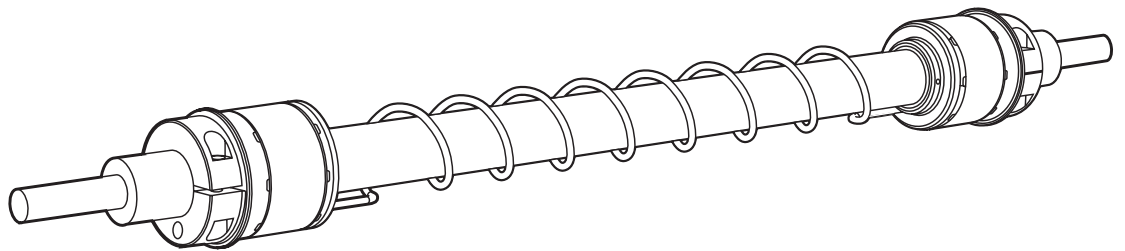
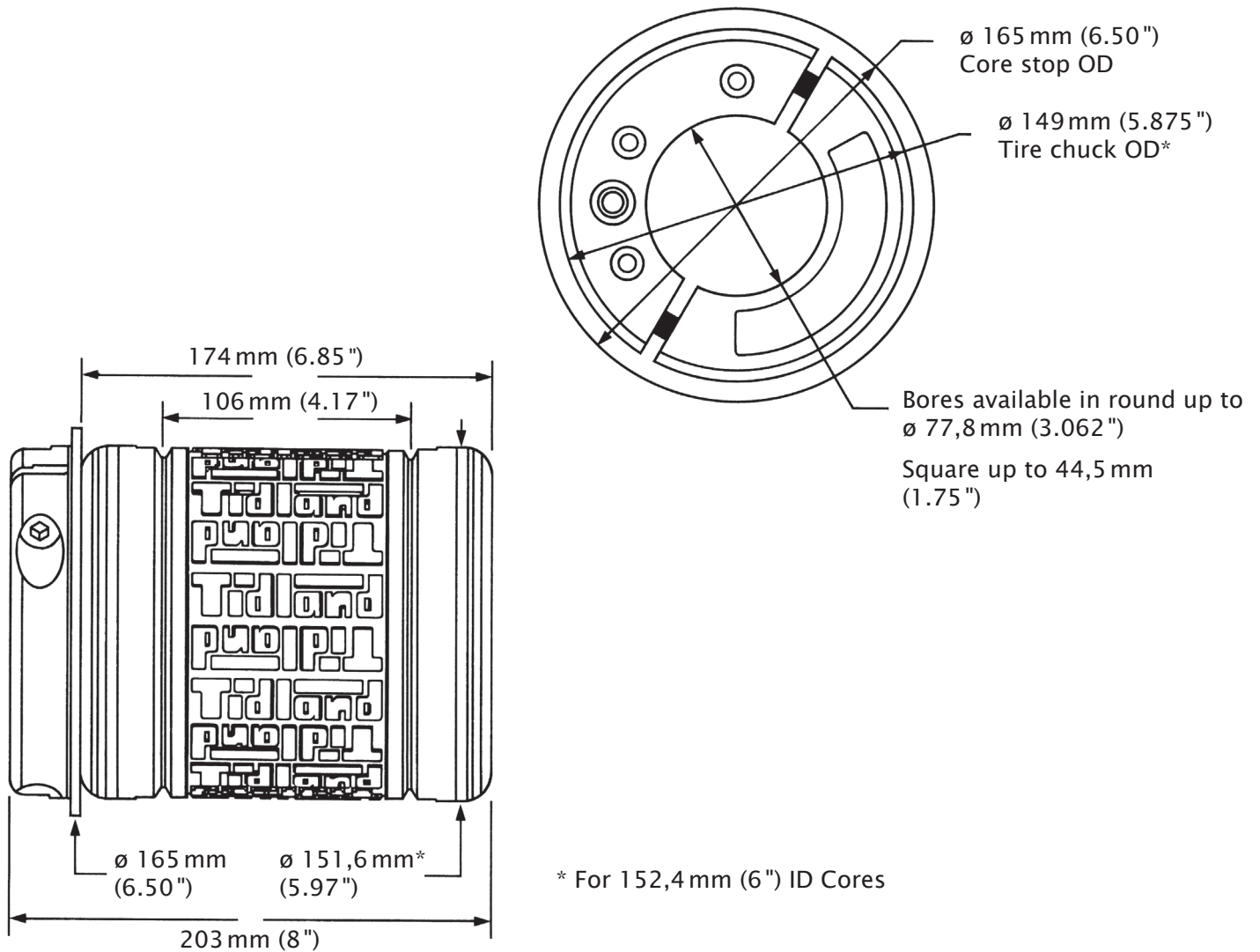
	Maximum	Minimum
Round (diameter)	77.8mm (3 1/16")	25.4mm (1")
Square (on a side)	44.5mm (1 3/4")	
Square (corner to corner)	62.7mm (2.47")	

KEY FEATURES

- Lightest weight air chuck available
- Delivers maximum gripping force during emergency stops and high-torque applications
- Durable polymer expanding element provides long-lasting, reliable operation
- Easy core insertion and removal
- Affordable alternative to aluminum chucks

TIDLAND FORCE5 LIGHTWEIGHT AIR CHUCKS

SPECIFICATIONS



MAXCESS

EUROPE, MIDDLE EAST
AND AFRICA
 Tel +49.6195.7002.0
 Fax +49.6195.3018
 sales@maxcess.eu
 www.maxcess.eu

NORTH, CENTRAL
AND SOUTH AMERICA
 Tel +1.405.755.1600
 Fax +1.405.755.8425
 sales@maxcessintl.com
 www.maxcessintl.com

CHINA
 Tel +86.756.881.9398
 Fax +86.756.881.9393
 info@maxcessintl.com.cn
 www.maxcessintl.com.cn

JAPAN
 Tel +81.43.421.1622
 Fax +81.43.421.2895
 japan@maxcessintl.com
 www.maxcess.jp

INDIA
 Tel +91.22.27602633
 Fax +91.22.27602634
 india@maxcessintl.com
 www.maxcess.in

