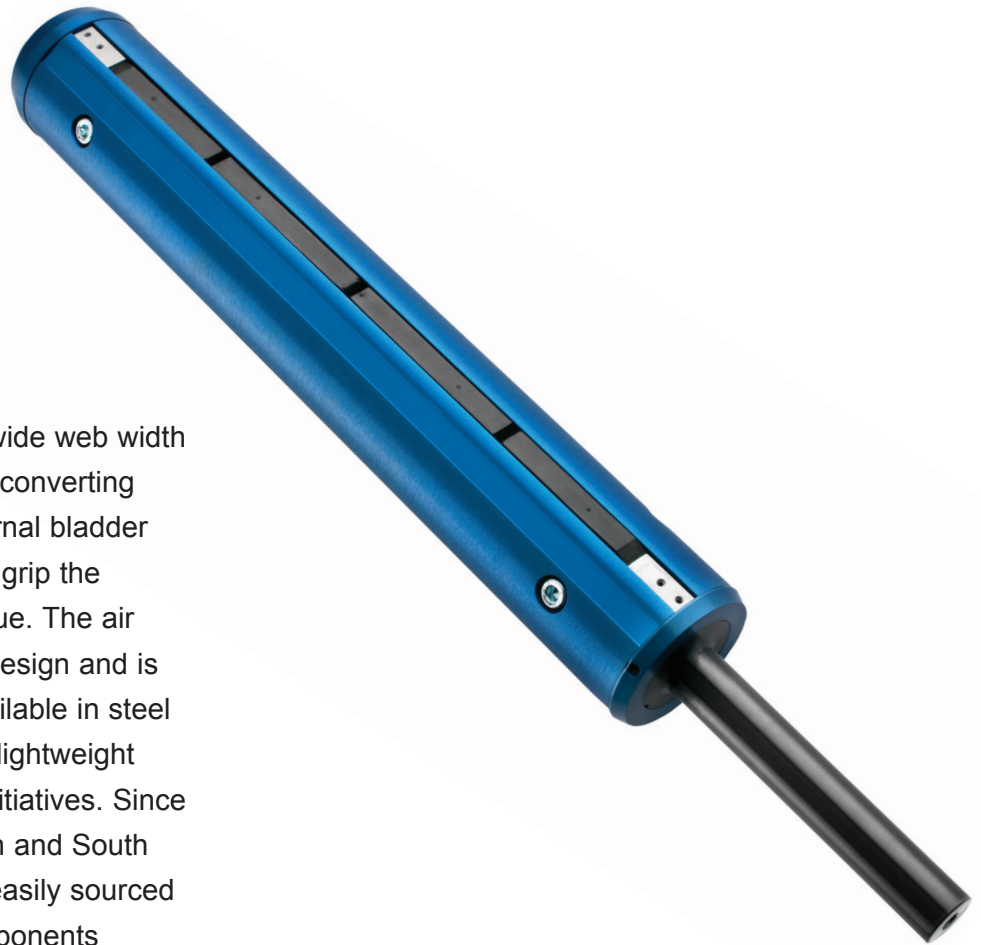


TIDLAND G890 EXTERNAL ELEMENT SHAFT



The Tidland G890 is a narrow to wide web width core shaft designed for the global converting markets. It features a unique external bladder to activate expanding elements to grip the core with over 155 in-lbs/in of torque. The air system features a proven robust design and is easy to maintain. This shaft is available in steel for durability and load capacity or lightweight aluminum to support ergonomic initiatives. Since the G890 is manufactured in North and South America, Europe and China, it is easily sourced and supported worldwide. All components conform to Tidland's high quality standards and are interchangeable regardless of where the shaft is installed.

GENERAL SPECIFICATIONS

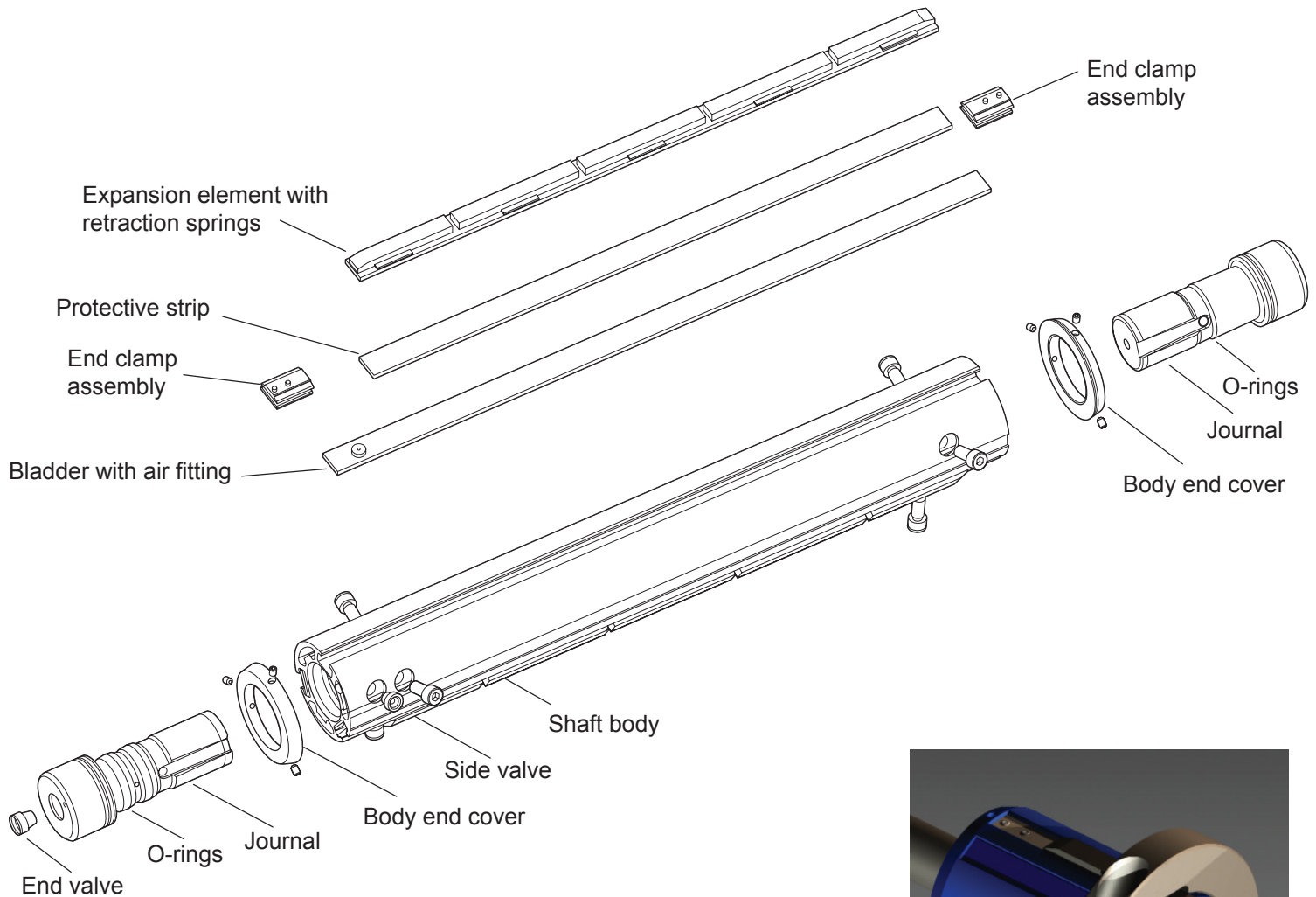
Web Width		Estimated Shaft Weight		Load Capacity Solid Roll		Load Capacity Multiple Rolls		
		3"		3"		3"		
		G890	G890E	G890	G890E	G890	G890E	
mm	762	kg	27	13	700	700	700	520
in	30	Lbs	60	28	1544	1544	1544	1147
mm	1016	kg	33	14	950	950	950	410
in	40	Lbs	74	32	2095	2095	2095	904
mm	1270	kg	40	16	1200	1200	1150	330
in	50	Lbs	87	35	2646	2646	2536	728
mm	1524	kg	46	17	1300	1230	999	280
in	60	Lbs	101	38	2867	2712	2203	617
mm	1778	kg	52	19	1300	1050	864	190
in	70	Lbs	115	42	2867	2315	1905	419
mm	2032	kg	58	21	1280	900	728	110
in	80	Lbs	128	45	2822	1985	1605	243
mm	2286	kg	65	22	1280	790	492	50
in	90	Lbs	143	49	2822	1742	1085	110

KEY FEATURES

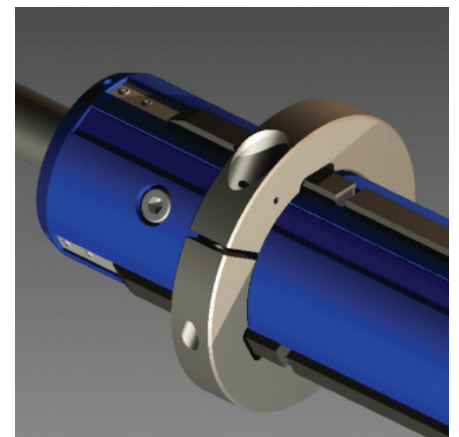
- Hard rubber expanding elements
- Adjustable core stop (ring-style)
- Positive leaf retraction with a foam spring
- Proven external bladder air system
- Manufactured in North and South America, Europe, and China
- Lightweight aluminum extrusion body
- 155 in-lbs/in of torque for the most demanding applications

TIDLAND G890 EXTERNAL ELEMENT SHAFT

DESIGN FEATURES



Core Stop Design
C-clamp core stop design as standard



MAXCESS

MAGPOWR

FIFE

TIDLAND

NORTH AMERICA

Toll Free 800.426.1000
Tel +1.360.834.2345
Fax +1.360.834.5865
sales@maxcessintl.com
www.maxcessintl.com

EUROPE

Tel +49.6195.7002.0
Fax +49.6195.7002.933
sales@maxcess.eu
www.maxcess.eu

CHINA

Tel +86.756.881.9398
Fax +86.756.881.9393
info@maxcessintl.com.cn
www.maxcessintl.com.cn

KOREA, TAIWAN AND SE ASIA

Tel +65.9620.3883
Fax +65.6235.4818
asia@maxcessintl.com

SOUTH AMERICA

Tel +55.11.3959.0990
Fax +55.11.3856.0990
southamerica@maxcessintl.com
www.maxcessintl.com.br

INDIA

Tel +91.22.27602633
Fax +91.22.27602634
india@maxcessintl.com
www.maxcess.in

JAPAN

Tel +81.43.421.1622
Fax +81.43.421.2895
japan@maxcessintl.com
www.maxcess.jp