

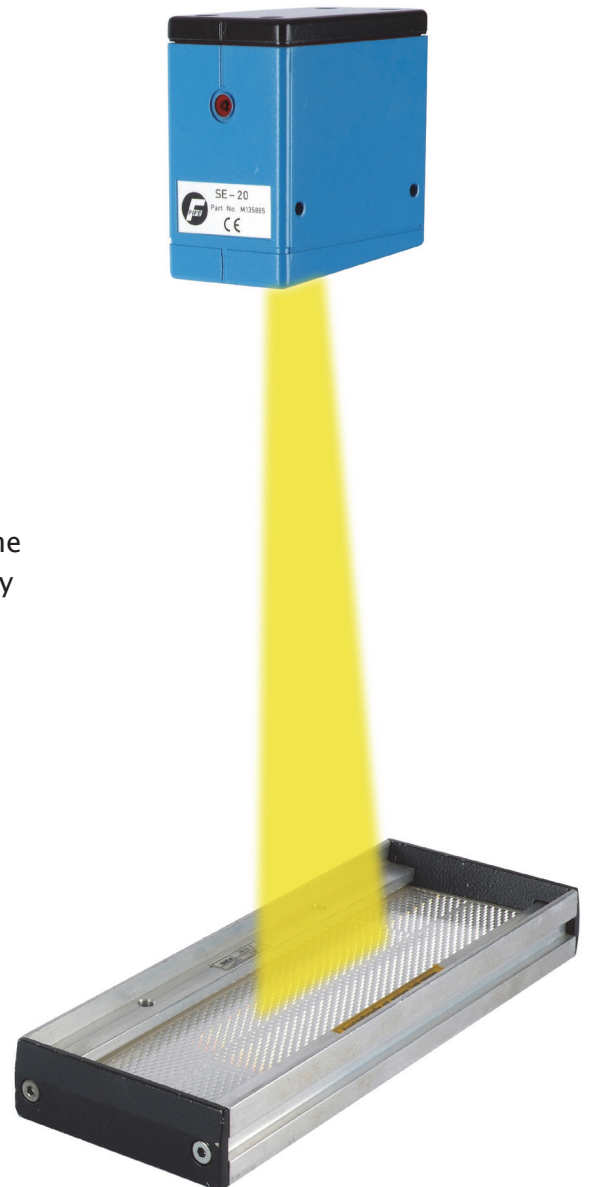


Fife-Tidland's SE-20 Wide Gap Reflex Sensor is ideal for highly reflective materials, as it is not affected by ambient light and reflections.

The sensor SE-20 emits a pulsed light. When the strip is within the viewing range of the sensor the light hits both the edge of the strip and the reflector and is reflected back only from the reflector, which is installed below the strip

The material in the reflector polarizes the light it reflects back to the sensor. These polarized light signals are processed to filter out ambient light and reflections to accurately define the position of the strip.

Fife-Tidland has a wide variety of sensor mountings and positioning assemblies available for use with this sensor.



GENERAL SPECIFICATION

Weight: 715 g	Distance Sensor - Reflector: 900 – 3000 mm
Operating Temperature: 5° – 60°C	Linearity: 2% max. deviation
Protection classification: IP67	Plane change: 1% max. deviation
Supply Voltage: + 12V	ESD protected: designed to IEC 801-2
Output Signal: 0 to 10 mA	Counter-acting ambient light: modulated light source

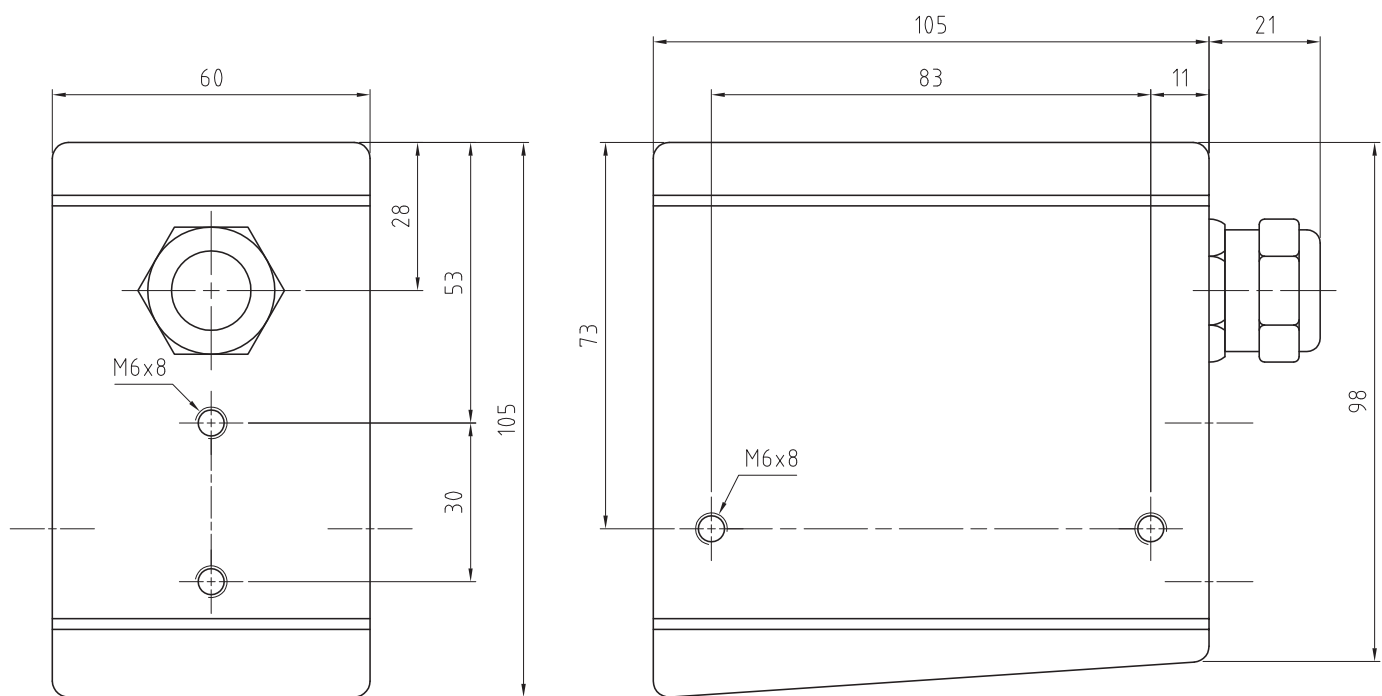
ADVANTAGES

- Maintenance-free
- Not affected by ambient light
- Not affected by reflective material
- Integrated power boosting adjustment
- Variable distance between sensor and reflector of 0,9 m – 3 m
- Can be used for outer edge or center guiding
- Its small size allows mounting in restricted spaces

APPLICATIONS

- Edge and center guiding systems in slitting lines
- Recoiler
- Sensing of highly reflective strips
- Uncoiler – strip position detection at coil

DIMENSIONS



Dimensions in mm.



EUROPE, MIDDLE EAST
AND AFRICA
Tel +49.6195.7002.0
sales@maxcess.eu
www.maxcess.eu

NORTH, CENTRAL
AND SOUTH AMERICA
Tel +1.405.755.1600
sales@maxcessintl.com
www.maxcessintl.com

CHINA
Tel +86.756.881.9398
info@maxcessintl.com.cn
www.maxcessintl.com.cn

JAPAN
Tel +81.43.421.1622
japan@maxcessintl.com
www.maxcess.jp

INDIA
Tel +91.22.27602633
india@maxcessintl.com
www.maxcess.in

