

MAXCESS

MAGPOWR



TIDLAND

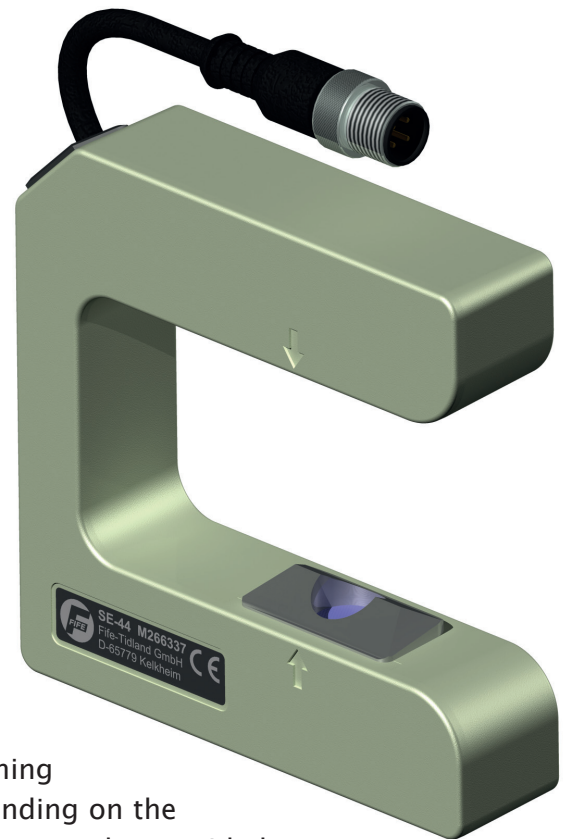
The sensor SE-44 uses ultrasonic sound to detect the web edge. Its light weight, small size, and insensitivity to ambient light make it ideal for most web guiding applications.

The SE-44 ultrasonic sensor measures the lateral position of the guided material. The sensor field of view (proportional band) is 10 mm, allowing significant guide point adjustment. The SE-44 is often used in pairs for center guiding when web width variations are limited. The SE-44 sensor can be used to control most opaque materials as well as transparent ones.

Fife offers a wide variety of sensor mountings and positioning assemblies for use with the SE-44 ultrasonic sensor. Depending on the application, standard or custom designed mounting brackets can be provided to ensure quick and easy installations.

The SE-44 can be used with any of our applicable guiding systems or as a retrofit/upgrade for existing systems.

The SE-44 can be connected to all available Fife web guide controllers.



GENERAL SPECIFICATIONS

Weight:

130g

Operating temperature:

0°– 60°C

Protection class:

IP40

Power supply:

10 to 15V

Output signal:

0 to 10mA

Linearity:

10% maximum error (at 10% to 90% of signal)

Plane change:

5% maximum error (at 45° angle between web and sensor)

Temperature drift:

7% maximum error (at 10°C to 50°C)

ESD protected:

designed to IEC/EN 61000-4-2

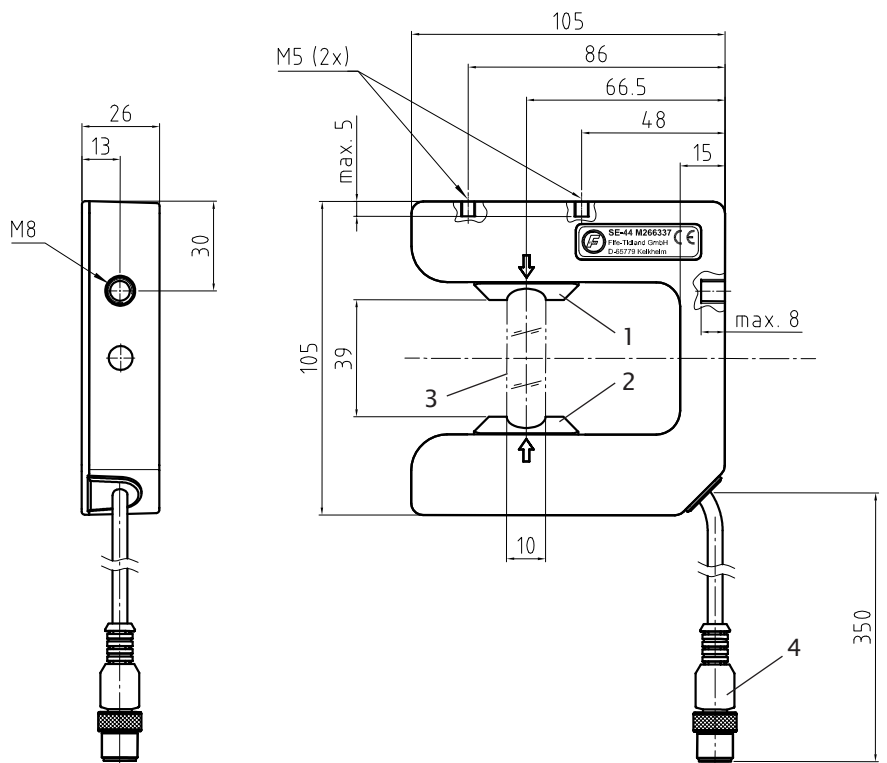
KEY FEATURES

- 10 mm proportional band
- Insensitive to ambient light
- Insensitive to electrostatic discharge
- Will not affect photosensitive paper/film
- Will sense the thinnest and clearest film
- Temperature stabilized
- Low power consumption
- Small and lightweight

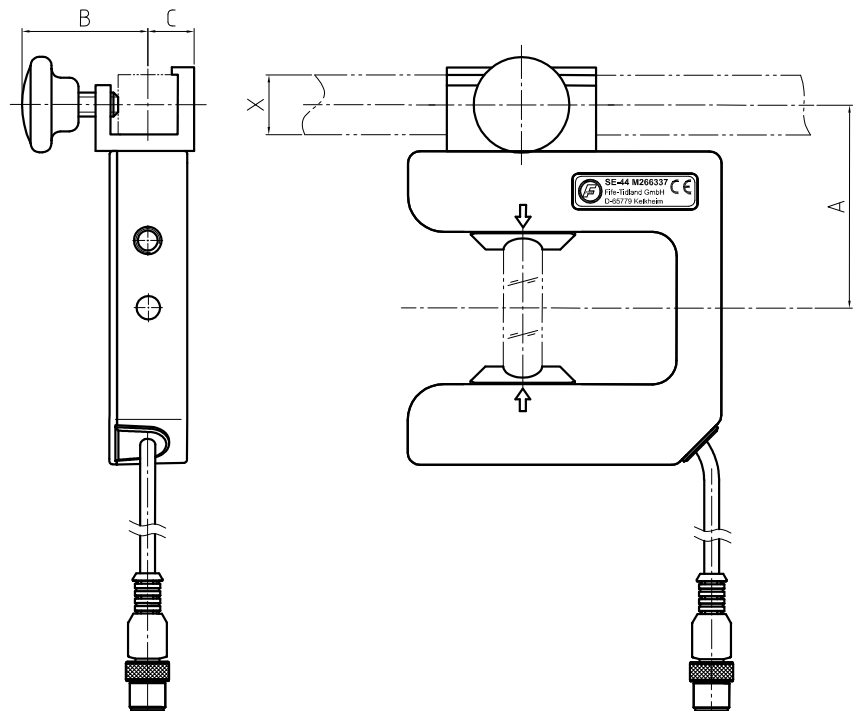
ULTRASONIC SENSOR

DIMENSIONS

- 1 Receiver
- 2 Source
- 3 Sensor field of view (proportional band)
- 4 Connection cable



SENSOR MOUNTING



SENSOR MOUNTING	X SQUARE BAR	A	B	C
MB-20	□ 20	68	42,5	15,5
MB-25	□ 25	71	46,5	18,5
MB-32	□ 32	76	51,5	23,5

Dimension shown in mm.

MAXCESS



EUROPE, MIDDLE EAST AND AFRICA

Tel +49.6195.7002.0
 Fax +49.6195.7002.933
 sales@maxcess.eu
 www.maxcess.eu

INDIA

Tel +91.22.27602633
 Fax +91.22.27602634
 india@maxcessintl.com
 www.maxcess.in

NORTH, CENTRAL AND SOUTH AMERICA

Tel +1.405.755.1600
 Fax +1.405.755.8425
 sales@maxcessintl.com
 www.maxcessintl.com

JAPAN

Tel +81.43.421.1622
 Fax +81.43.421.2895
 japan@maxcessintl.com
 www.maxcess.jp

CHINA

Tel +86.756.881.9398
 Fax +86.756.881.9393
 info@maxcessintl.com.cn
 www.maxcessintl.com.cn

KOREA, TAIWAN AND SE ASIA

Tel +65.9620.3883
 Fax +65.6235.4818
 asia@maxcessintl.com