



The Tidland Air Brake provides all required design specifications and operating sensitivity to fully integrate tension control components.

These durable brakes feature a heat dissipating design for maximum reliability, with models capable of handling a maximum torque range of 0.2Nm to 2678Nm

These brakes provide precise tension control where webs are unwound from rolls of material, such as paper, textiles, films, and foils.

They also deliver predictable performance for continuous and intermittent production and emergency stop braking. Each brake can be built to meet your specific requirements.

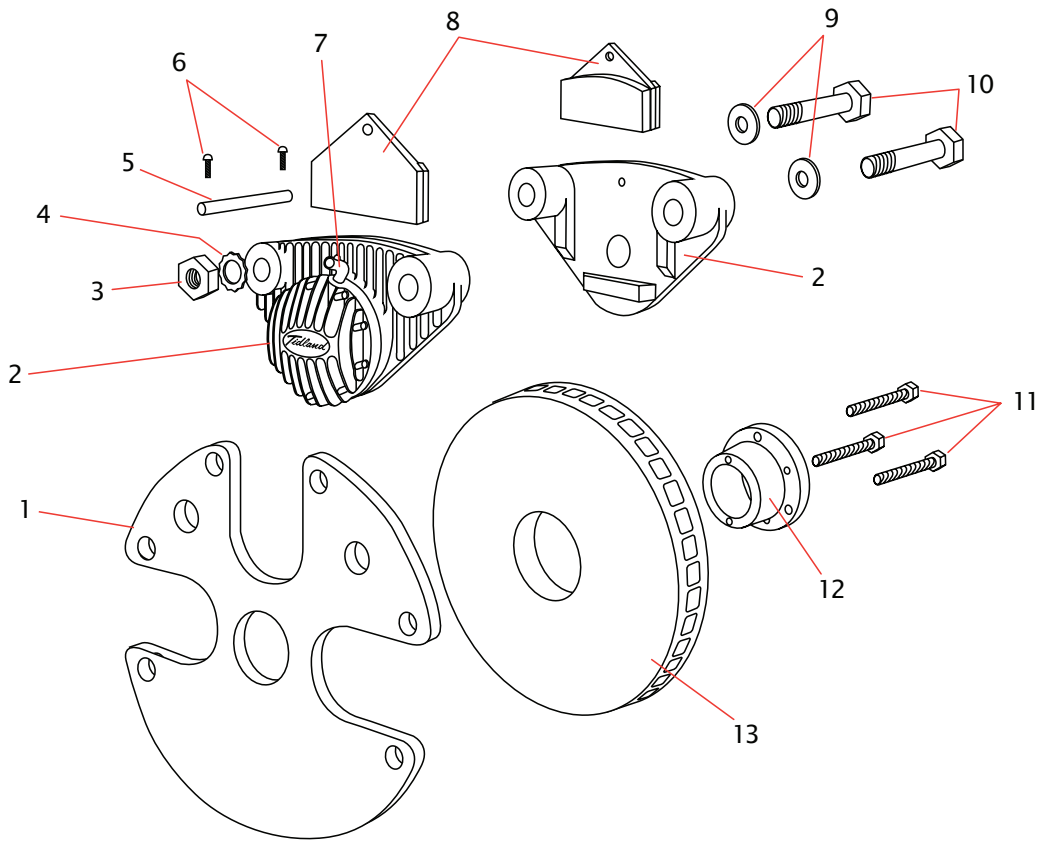
Disc diameter, caliper size, number of calipers and pad coefficients can all be configured to provide the ideal brake for your operation.

KEY FEATURES

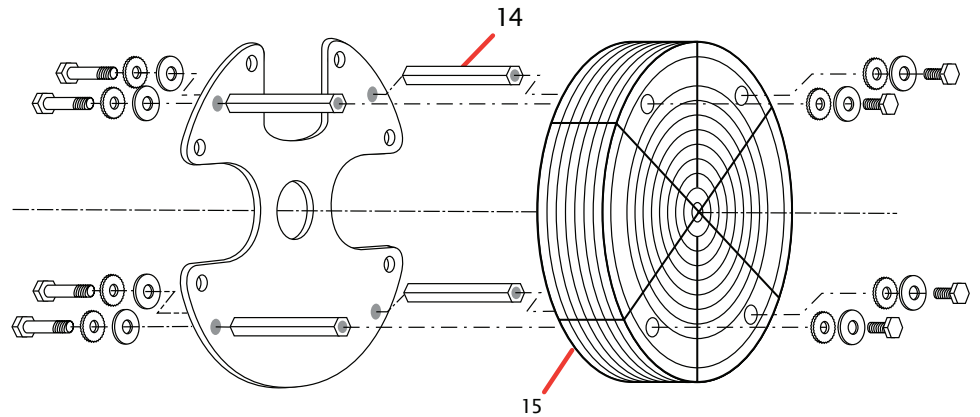
- Air-cooled, air-operated disc brakes for intermittent braking and continuous tension requirements
- Modular brake design accommodates a wide variety of applications
- Accurate, reliable tension control –from the most fragile tissue to the heaviest papers
- Minimal moving parts and durable materials provide long-lasting operation
- Easy retrofit and installation, designed for off-the-shelf configuration
- Opposing calipers are self-adjusting and require no special tools for servicing

GENERAL SPECIFICATIONS

Model	Heat Dissipation per Rotor [kW] at 5,2 bar	Torque Value per Caliper [Nm] at 5,2 bar		Calipers per Rotor	Maximum Speed [1 /min]
		Coefficient			
		0,12	0,38		
200	0,7	17	54	1 to 3	4700
250	1,5	22	69	1 to 4	3800
305	2,2	81	257	1 to 3	3000
380	3,7	105	334	1 to 3	2500
460	6,0	130	411	1 to 3	2100
610	11,9	212	670	1 to 4	1550



1. Universal Mounting Plate
2. Caliper Half
3. Mounting Nut
4. Lock Washer
5. Retaining Rod
6. Hitch Pins
7. Elbow, Air Inlet
8. Brake Pads
9. Flat Washers
10. Mounting Bolts
11. Bushing Bolts
12. Q.D. Bushing
13. Disc
14. Hex Bar Standoff
15. Brake Guard



MAXCESS

EUROPE, MIDDLE EAST
AND AFRICA
Tel +49.6195.7002.0
sales@maxcess.eu
www.maxcess.eu

NORTH, CENTRAL
AND SOUTH AMERICA
Tel +1.405.755.1600
sales@maxcessintl.com
www.maxcessintl.com

CHINA
Tel +86.756.881.9398
info@maxcessintl.com.cn
www.maxcessintl.com.cn

JAPAN
Tel +81.43.421.1622
japan@maxcessintl.com
www.maxcess.jp

INDIA
Tel +91.22.27602633
india@maxcessintl.com
www.maxcess.in

