



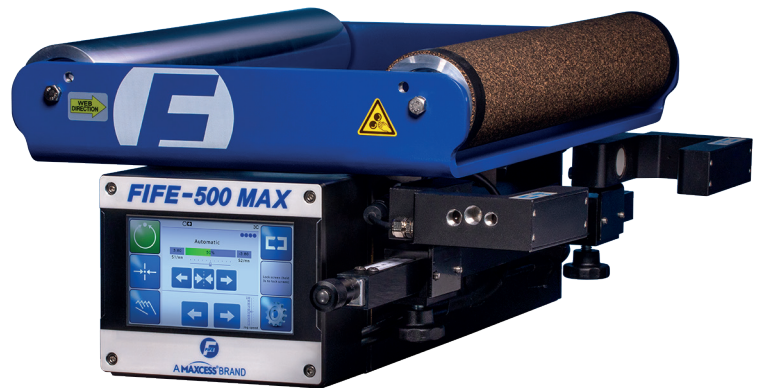
A MAXCESS BRAND

Accuracy Perfected

Introducing the FIFE-500 MAX, the next-generation of web guiding from Fife, the industry leader who invented the web guide.

The FIFE-500 MAX takes all of the features customers loved from the FIFE-500 and maximizes everything! With added networking and communications, an intuitive 5 inch color touchscreen, 8 pole motor for smoother guiding, greater accuracy and reduced scrap, the FIFE-500 MAX leverages the latest technology at an attainable price point to improve performance and reduce maintenance. Utilizing brushless motors and even faster processing speeds allows the FIFE-500 MAX to quickly adapt to changes in the web, even at high line speeds.

NEW- Now available for web widths up to 1200 mm and tensions up to 800 N.



SEE IN ACTION !
[CLICK OR SCAN TO WATCH SHORT VIDEO](#)

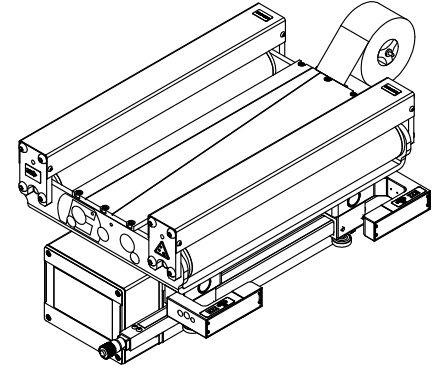
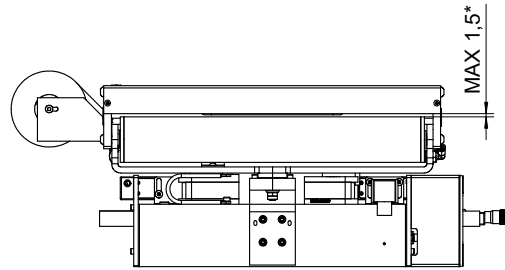
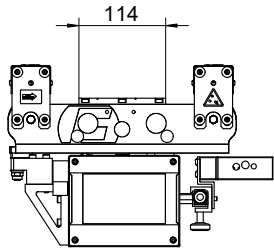
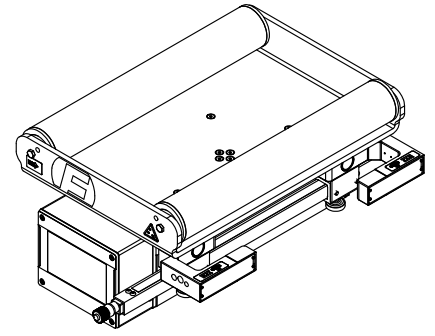
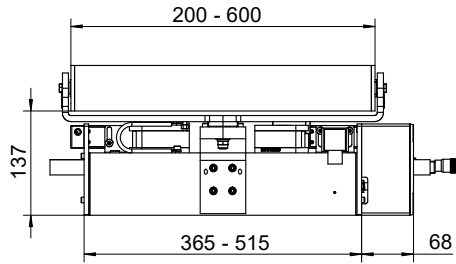
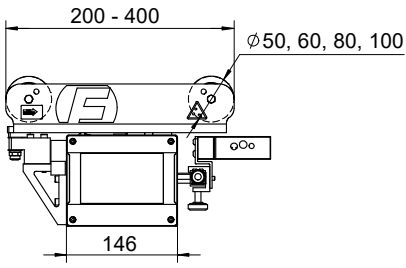
General Specifications

Roller Face Up to 1200 mm	Temperature 0 - 60 °C
Roller Diameter 50 mm, 60 mm, 80 mm, 100 mm, 120 mm	Languages 14 languages
Guide Spans Up to 600 mm	IP Protection Class IP64 - Standard IP65 - Optional
Maximum Tension 800 N	Certification cTUVus to UL61010-1 CAN/CSA-C22.2 No. 61010-1 CB-Certificate to IEC61010-1
Power Supply 24 VDC	

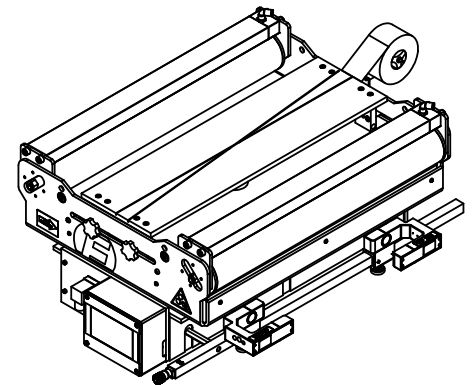
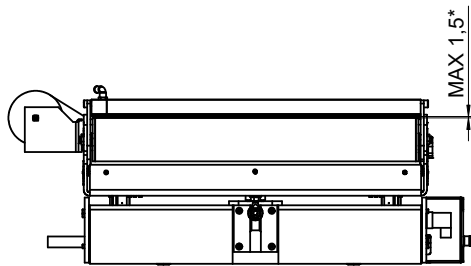
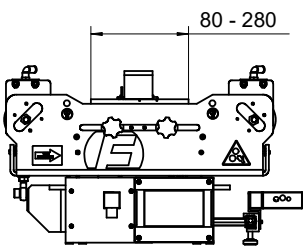
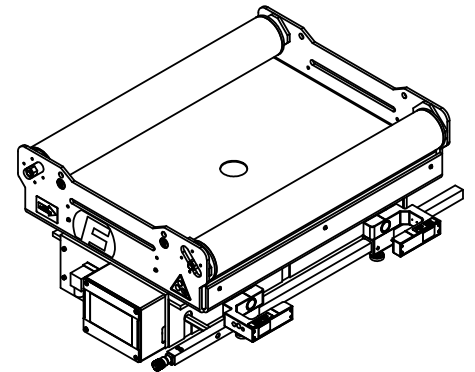
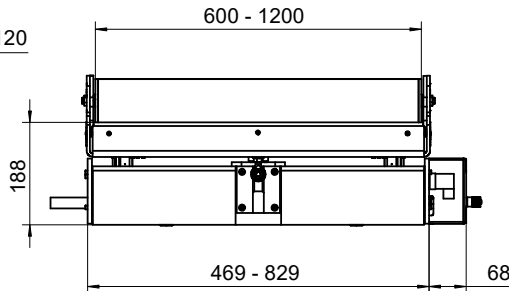
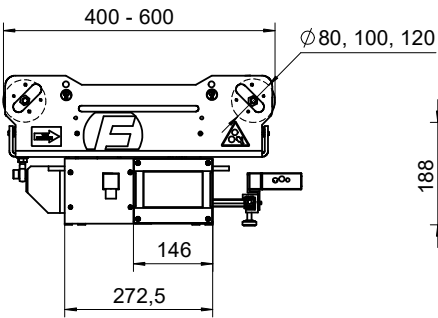
Key Features

- **Embedded communications:** Ethernet/IP, CC-Link, ModBus/TCP (add on option for PROFINET IO, EtherCAT)
- **High accuracy**
- **Intuitive 5" color touchscreen**
- **Multiple languages for quick setup and operation, with minimal training needed**
- **8-pole, brushless motor for smoother guiding and reduced scrap**
- **Easy connection to your PLC**
- **Optional splice table and fine adjustment mounting bracket**
- **Compact design fits easily in tight spaces**

FIFE-500 MAX (400 N) DIMENSIONS



FIFE-500 MAX (800 N) DIMENSIONS



Dimensions in mm

* max web thickness

Global HQ & Americas

+1-844-MAXCESS

sales@maxcessintl.com

Maxcess Europe HQ
Fife-Tidland GmbH

Maxcess Germany
RotoMetrics Deutschland GmbH

Maxcess UK
RotoMetrics Intl. Ltd.

Web
maxcess.com

+49-6195-7002-0
sales@maxcess.eu

+49 6134 7262 - 0
sales@rotometrics.de

+44 1922 6100 00
uk.sales@maxcessintl.com

Shop
mymaxcess.eu
myroto.com

