



A MAXCESS BRAND

High accuracy combined with Wide Field of View

The GuideLine digital line sensor is capable of detecting lines, edges of lines and graphic patterns, such as bar codes at an extremely competitive price point. It can also be used in low contrast conditions or with different patterns located close to each other, where traditional line sensors do not work. GuideLine can also edge guide transparent films.

The included operator interface for the GuideLine sensor features a color touch screen, allowing for the image of the web to be displayed in full color, making the sensor calibration easy and intuitive.

With a 32 mm wide field of view and the high resolution, GuideLine is suitable for the most demanding line guide applications.



General Specifications

OI Display

Color touchscreen
800 x 480 pixel

Operating Voltage

10 - 26 VDC

Power Consumption

13 W maximum

Field of View

32 mm

Certifications

CE

IP Protection Class

IP54

Temperature

0 - 60 °C

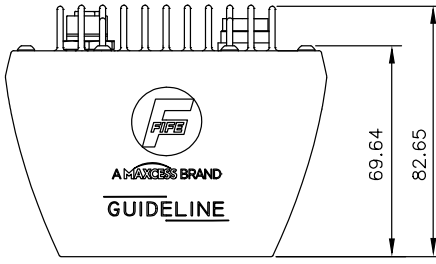
Response Time

5 ms

Key Features

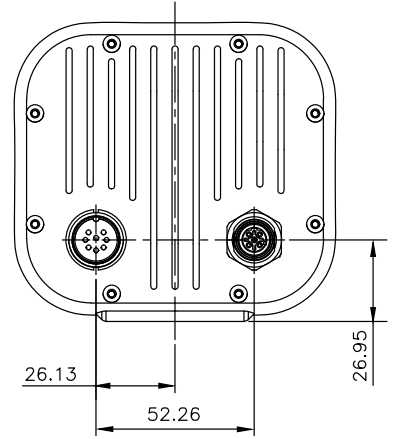
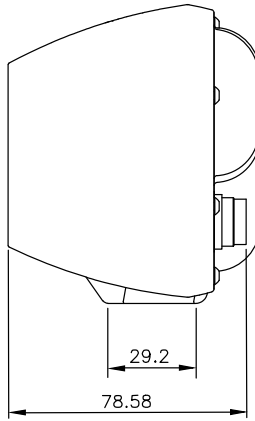
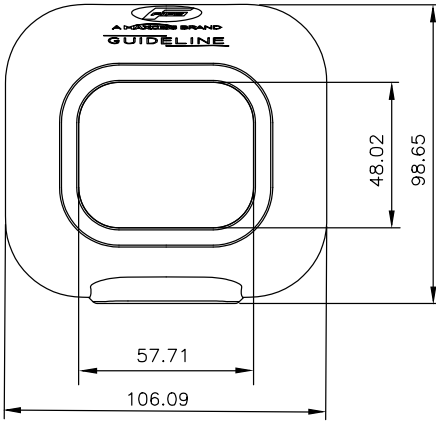
- Ability to easily guide to lines, edges of lines and graphic patterns on the fly
- High accuracy
- Color camera with intuitive 5" color touchscreen to easily lock on to lines
- 32 mm field of view, the widest field of view on the market
- Utilizes high-speed industrial camera for high resolution even at higher speeds
- Analog and digital outputs available
- Articulating arm for easy setup

GUIDELINE SENSOR DIMENSIONS

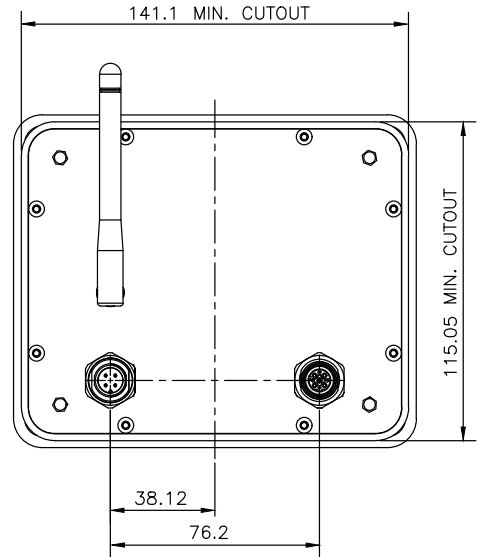
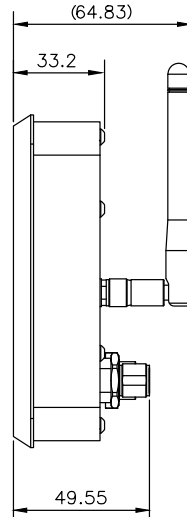
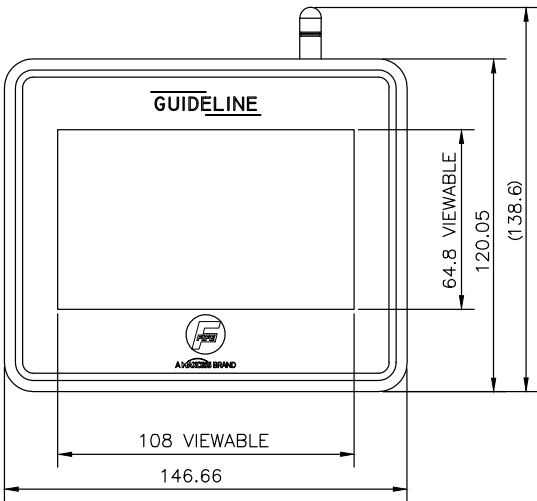


Standard: Sensor without heatsink fins (not shown)

Option: Sensor with heatsink fins (shown)



GUIDELINE OI DIMENSIONS



Dimensions in mm

Global HQ & Americas

+1-844-MAXCESS

sales@maxcessintl.com

Maxcess Europe HQ
Fife-Tidland GmbH

Maxcess Germany
RotoMetrics Deutschland GmbH

Maxcess UK
RotoMetrics Intl. Ltd.

Web
maxcess.com

+49-6195-7002-0
sales@maxcess.eu

+49 6134 7262 - 0
sales@rotometrics.de

+44 1922 6100 00
uk.sales@maxcessintl.com

Shop
mymaxcess.eu
myroto.com

