

The DLCA-CAT+ tension signal amplifier features enhanced detection speed and accuracy compared to DLCANET, along with a touchscreen interface.

It supports five industrial Ethernet communications and includes standard analog and digital interfaces for precise output and easy operation.

It is suitable for applications in batteries, capacitors, and printed packaging, providing a cost-effective tension measurement solution.



Key Features & General Specifications



- PLC control supports EtherNet/IP, Modbus TCP, CC-Link IEF Basic, PROFINET, EtherCAT, and web server communication
- Single/Dual Tension Operating Modes
 - Single tension zone: 1 or 2 load cells detect tension on both sides of the roll.
 - Dual tension zones: 2 individual load cells

Tension Sampling Rate

1000 Hz (1 ms)

Resolution

4 significant digits

Excitation Voltage

5 or 7.5 VDC, maximum 200 mADC

Sensor Sensitivity

1.5 to 100 mV/V, maximum input 500 mV

Filtering

0.01 to 499 Hz, or unfiltered data output

6 Analog Outputs

0 to 10 VDC, 0 to 20 mA, configurable output range

3 Digital Outputs

Maximum 30 VDC and 0.4 ADC AC/DC bidirectional optocoupler

2 Digital Inputs

5V or 24V Selectable Thresholds, maximum 24 VDC

Power

18~30 VDC, maximum 350mA

Protection Rating

IP20

Operating Temperature

0~60 °C (32-140 °F)

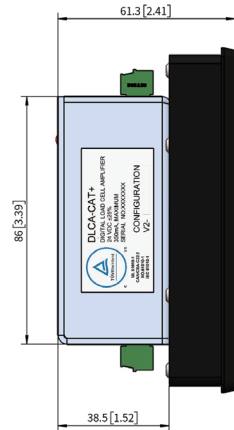
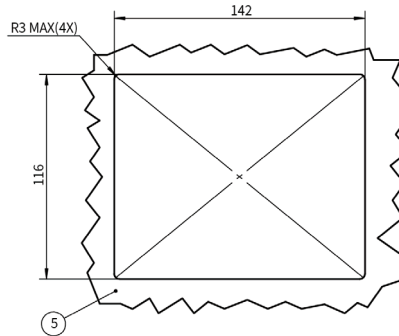
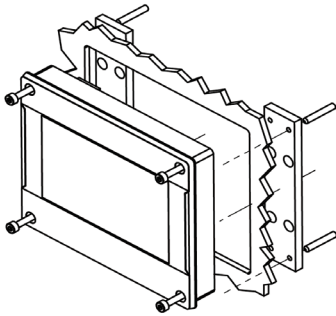
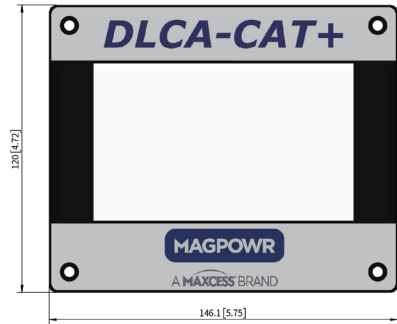
Certifications

CE, cTUVus, CAN/CSA, UKCA, FCC, CB

Models & Dimensions

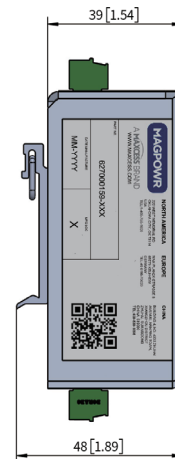
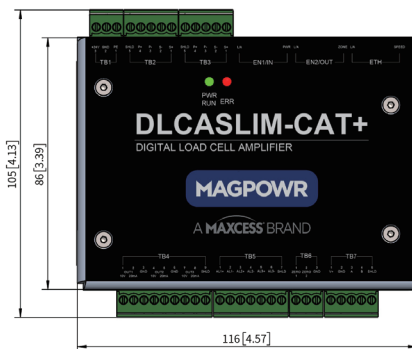
DLCA-CAT+

Model	DLCA-CAT+		
PN	627000158-011	627000158-021	627000158-031
Network	Standard: Modbus TCP EtherNet/IP CC-Link IEF Basic	Standard: + EtherCAT	Standard: + PROFINET
Installation	Panel-mount		
Operation	5-inch touch screen&remote network control		



DLCASLIM-CAT+

Model	DLCASLIM-CAT+		
PN	627000159-011	627000159-021	627000159-031
Network	Standard: Modbus TCP EtherNet/IP CC-Link IEF Basic	Standard: + EtherCAT	Standard: + PROFINET
Installation	DIN-Rail Mount		
Operation	Remote network control		



GLOBAL HEADQUARTERS
& AMERICAS

P +1-844-MAXCESS
F +1-405-755-8425
sales@maxcessintl.com

maxcess.com

EUROPE
& MIDDLE EAST

P +49-6195-7002-0
sales@maxcess.eu

maxcess.com

ASIA
PACIFIC

P +86-400-830-1898
asia.sales@maxcessintl.com

maxcess.com

↙
Web
maxcess.com