

Safe, Efficient, Automated

Introducing the Tidland SmartSlit system, the premier automation solution for narrow web applications.

Available in Shear, Crush, and Razor options, Tidland SmartSlit ensures automatic and precise placement of slitting blades, eliminating the need for manual adjustments and dramatically reducing setup time.

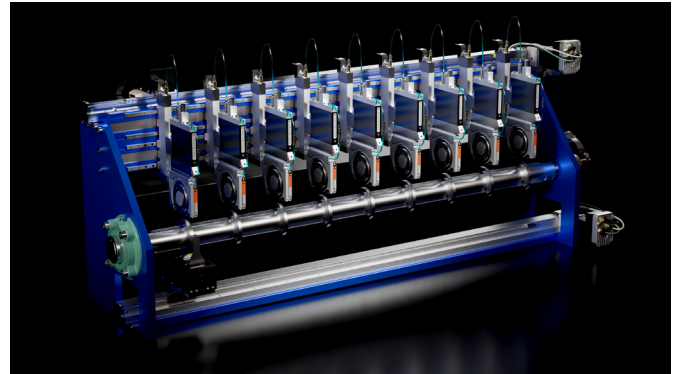
This system offers a safe, user-friendly approach to slitting operations, significantly enhancing efficiency and reducing operational costs. Tidland SmartSlit pays for itself in less than 2 years when compared to manual systems and performs better than the closest competitor.

Key Features

- Automatic machinery movement, minimizing hand adjustment and operator errors
- Improved ergonomics & safety
- Improved accuracy vs. manual positioning
- Operator can move slits manually on the fly
- Repeatable setup when switching materials
- Dust-tight sealed linear actuators for top and bottom knife manipulators
- Tidland blade positioning software enables customized slit positions, pattern saving, individual or group knife adjustment, and optional manual adjustment
- Software integration options built in provides key flexibility
- The ability to store repeat jobs/patterns for reuse saves time and reduces errors



TIDLAND



APPLICATIONS

Narrow web lines looking to automate manual finishing operations.

Narrow web lines looking to add finishing operations.

New machines or existing machine field retrofits.

INSTALLATION

System measurement services are available.

Application engineering required services to determine fitment.

Service visit for Installation and Training is recommended (1 day service that includes installation, calibration and training).

Extended group training is available.

COMPLEMENTARY PRODUCTS

Service visit for installation and operator training, Tidland Knifeholder Blades, Tidland RD AutoScore, Rotometrics AccuAdjust and RotoAdjust.

GENERAL SPECIFICATIONS

* Using Advantage Series Knifeholders

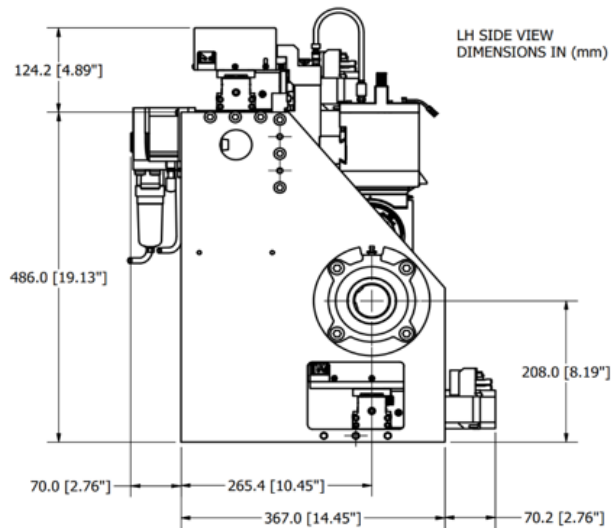
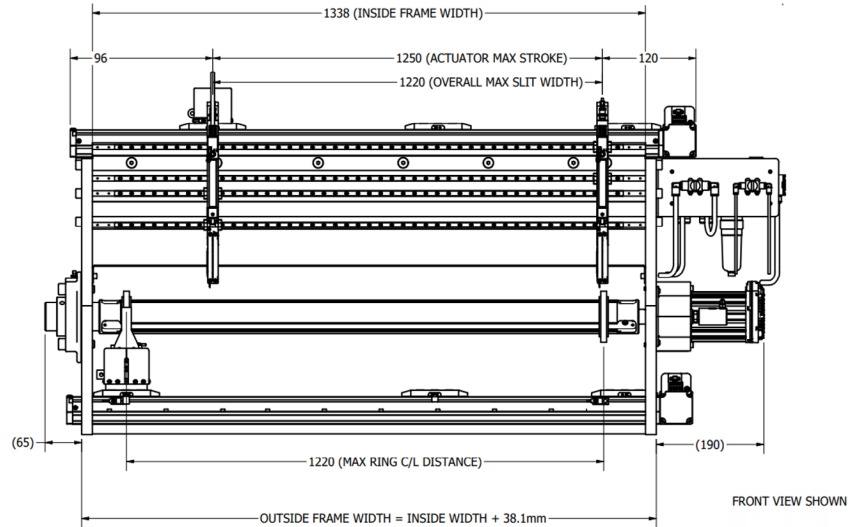
Maximum Web Width	48" (1220mm)
Maximum # of Knives	24
Minimum Slit Width	.86 in (22 mm)*
Knifeholder	Advantage Series Optional CL1 Performance
Slitting Configurations	Shear, Crush and Razor
Web Speed	100 - 1000 FPM (30.5 - 305 MPM)
Shear Anvil Shaft and Ring Size	60mm shaft OD, 90mm OD x 60mm ID rings
Crush Anvil Shaft and Sleeve Size	76.2mm shaft OD, 101.6mm OD x 76.2mm ID Hardened Sleeves
HMI	PC Based - Touchscreen
Air Requirements	80-100psi, Dry, Filtered
Input Power	20 AMP 110-230V AC, 1ph
Inside Frame Width	Max Slit Width + 4.6 in (116.84mm)
Outside Frame Width	Max Slit Width + 6.2 in (156.1mm)
Position Accuracy	+/- .005" (0.12mm)
Positioning Speed (6 Knives)	<= 1 min
Extra Width for Knife Parking	Optional

GENERAL DIMENSIONS

Drawing represents Max Slit Width of 48" (1220mm), approximate length scaling below:

Inside Frame Width: Max Slit Width + 4.6 in (118mm)

Outside Frame Width: Inside Frame Width + 1.5 in (38.1mm)



GLOBAL HEADQUARTERS
& AMERICAS

P +1-844-MAXCESS
F +1-405-755-8425
sales@maxcessintl.com

maxcess.com

EUROPE
& MIDDLE EAST

P +49-6195-7002-0
F +49-6195-7002-933
sales@maxcess.eu

ASIA
PACIFIC

P +86-400-830-1898
asia.sales@maxcessintl.com



RELATED PRODUCTS

ASK US ABOUT:

Enhance your SmartSlit
experience with our service visit
for installation and training,
complemented by RotoAdjust.